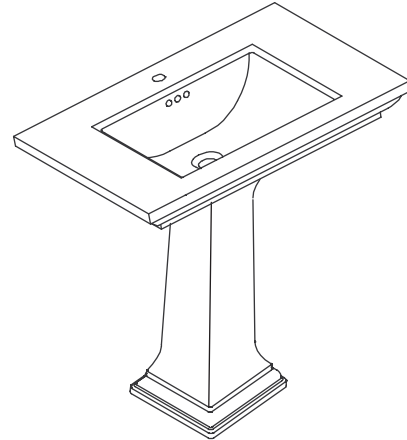


Features

- Pedestal lavatory
- Stately design
- Fireclay
- 8" (20.3 cm) centers (-8) or single-hole (-1)
- With overflow
- 30" (76.2 cm) x 21-3/4" (55.2 cm) x 34-3/4" (88.3 cm)

PEDESTAL LAVATORY K-2268



Codes/Standards Applicable

Specified model meets or exceeds the following:

- ASME A112.19.2/CSA B45.1

Colors/Finishes

- 0: White
- Other: Refer to Price Book for additional colors/finishes

Accessories

- CP: Polished Chrome
- Other: Refer to Price Book for additional colors/finishes

Specified Model

Model	Description	Colors/Finishes	
K-2268-8	8" (20.3 cm) centers pedestal lavatory	<input type="checkbox"/> 0	<input type="checkbox"/> Other_____
K-2268-1	Single-hole pedestal lavatory	<input type="checkbox"/> 0	<input type="checkbox"/> Other_____
Recommended Accessories			
K-7605-P	Lavatory supplies 3/8" (pair)	<input type="checkbox"/> CP	<input type="checkbox"/> Other_____
K-8998	P-trap	<input type="checkbox"/> CP	<input type="checkbox"/> Other_____

Product Specification

The pedestal lavatory shall be 30" (76.2 cm) in length, 21-3/4" (55.2 cm) in width, and 34-3/4" (88.3 cm) in height. Pedestal lavatory shall be made of fireclay. Pedestal lavatory shall feature Stately design. Pedestal lavatory shall have 8" (20.3 cm) centers (-8) or single-hole (-1) drilling. Pedestal lavatory shall have overflow. Pedestal lavatory shall be Kohler Model K-2268-_____-_____.

Technical Information

Fixture*:	basin area	water depth
Lavatory	18" (45.7 cm) x 14" (35.6 cm)	5" (12.7 cm)
Drain hole	1-3/4" (4.4 cm) D.	
* Approximate measurements for comparison only.		

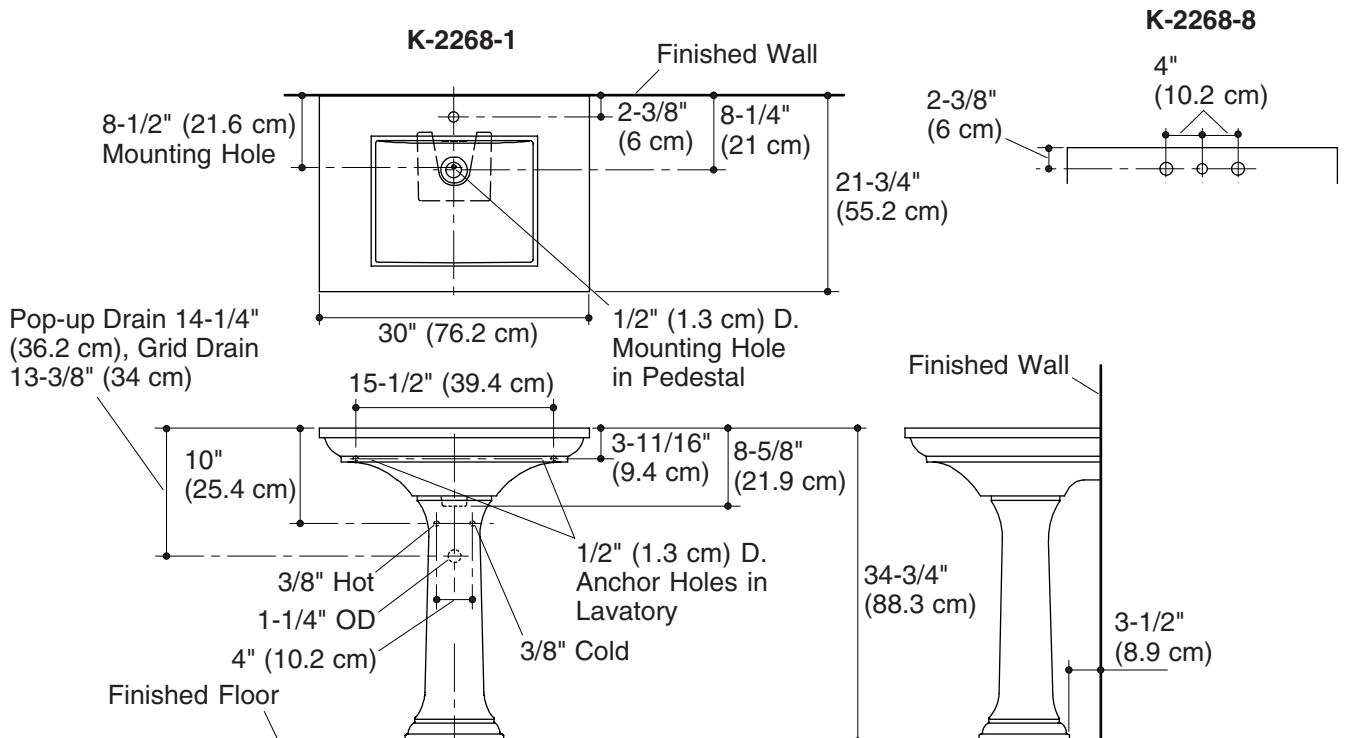
Holes	K-2268-8	K-2268-1
Spout	1-3/8" (3.5 cm) D.	1-3/8" (3.5 cm) D.
Faucet	1-3/8" (3.5 cm) D.	

Included components:	
Lavatory basin, 8" (20.3 cm) centers	K-2269-8
Lavatory basin, single-hole	K-2269-1
Pedestal	K-2267
Rubber pads	63069
Accessory pack	52204

Optional components:	
Hollow wall pedestal lavatory mounting kit	1041816

Installation Notes

Install this product according to the installation guide.



Product Diagram