

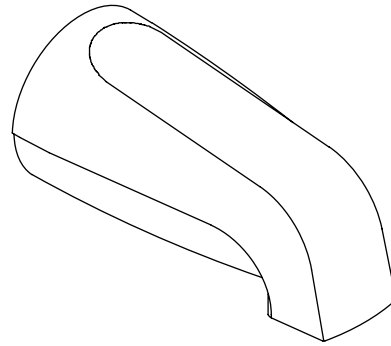
**Features**

- Metal construction
- Available with 4-5/8" (11.7 cm) non-diverter spout with NPT or slip-fit connection

**Codes/Standards Applicable**

Specified model meets or exceeds the following:

- ASME A112.18.1/CSA B125.1
- IAPMO/cUPC



**Colors/Finishes**

- CP: Polished Chrome
- PB: Vibrant® Polished Brass

**Specified Model**

Model	Description	Colors/Finishes	
K-15135	Bath spout with NPT non-diverter	<input type="checkbox"/> CP	<input type="checkbox"/> PB
K-15135-S	Bath spout with slip-fit non-diverter	<input type="checkbox"/> CP	<input type="checkbox"/> PB

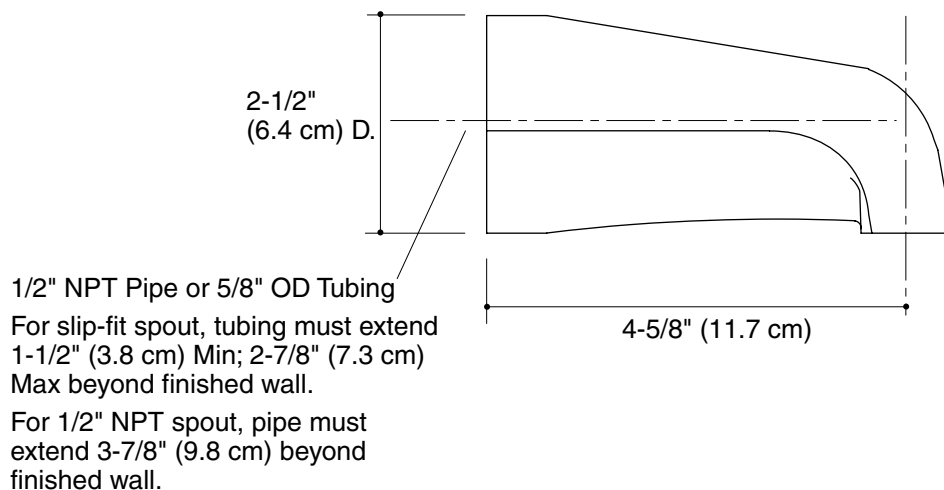
**Product Specification**

Product shall be a wall-mount 4-5/8" (11.7 cm) non-diverter bath spout and shall be of metal construction. Spout shall be available with NPT or slip-fit connection. Spout shall be Kohler Model K-15135-\_\_\_\_\_-\_\_\_\_\_.

# CORALAIS®

## Installation Notes

Install this product according to the installation guide.



## Product Diagram