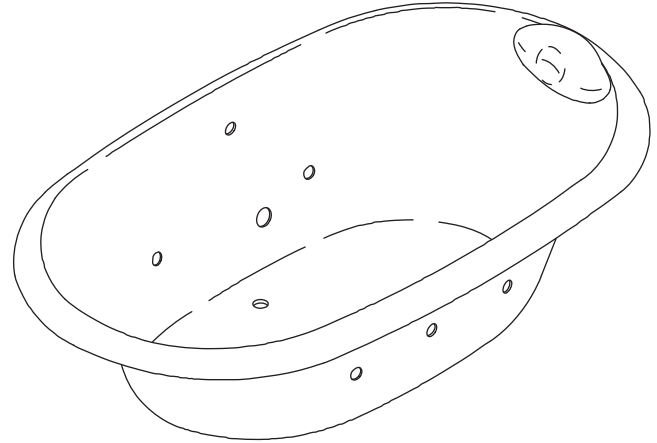


### Features

- Cast iron with Safeguard® finish
- 5 Flexjets
- UL listed
- Less all trim
- N1 models - variable speed pump with 1.5 kW heater
- H2 models - variable speed pump with 1.5 kW heater
- 72" (1829 mm) x 42" (1067 mm) x 21-3/16" (538 mm)

### BATH WHIRLPOOL K-702-H2 ALSO K-702-N1



### Codes/Standards Applicable

Specified model meets or exceeds the following:

- ASME A112.19.1/CSA B45.2
- ASME A112.19.7
- CSA B45.10
- CSA C22.2 No 218.2
- UL 1795

### Colors/Finishes

- 0: White
- Other: Refer to Price Book for additional colors/finishes

### Accessories

- CP: Polished Chrome
- PB: Vibrant® Polished Brass
- Other: Refer to Price Book for additional colors/finishes

### Specified Model

Model	Description	Colors/Finishes	
K-702-H2	Bath whirlpool	<input type="checkbox"/> 0	<input type="checkbox"/> Other_____
K-702-N1	Bath whirlpool with neckjets and pillow (shown)	<input type="checkbox"/> 0	<input type="checkbox"/> Other_____

#### Required Accessories

K-9695	Jet trim kit	<input type="checkbox"/> CP	<input type="checkbox"/> PB	<input type="checkbox"/> Other_____
--------	--------------	-----------------------------	-----------------------------	-------------------------------------

#### Recommended Accessories

K-7158	Vintage® pop-up bath drain	<input type="checkbox"/> CP	<input type="checkbox"/> PB	<input type="checkbox"/> Other_____
--------	----------------------------	-----------------------------	-----------------------------	-------------------------------------

#### Optional Accessories

K-1172	Adjustable feet	<input type="checkbox"/> NA
--------	-----------------	-----------------------------

### Product Specification

The bath whirlpool shall be 72" (1829 mm) in length, 42" (1067 mm) in width, and 21-3/16" (538 mm) in height. Bath whirlpool shall be made of cast iron with Safeguard® finish. K-702-N1 bath whirlpool shall have 5 Flexjets, a variable speed pump with 1.5 kW heater, back-lit user control, and pulsating neckjets with pillow. K-702-H2 bath whirlpool shall have 5 Flexjets, a variable speed pump with 1.5 kW heater, and back-lit user control. Bath whirlpool shall be UL listed and less all trim. Bath whirlpool shall be Kohler Model K-702-\_\_\_\_\_-\_\_\_\_\_.

# VINTAGE®

## Technical Information

Fixture*:	
Bathing well:	
Basin area, bottom	44" (1118 mm) x 28" (711 mm)
Basin area, top	60" (1524 mm) x 32" (813 mm)
Weight	555 lbs (251.7 kg)
To overflow:	
Water depth	15" (318 mm)
Capacity	82 gal (310.4 L)
* Approximate measurements for comparison only.	

Product	kW	V	A*
Neckjets	1.5	240	15
Without neckjets	1.5	240	11
* Approximate measurements for comparison only.			

Drop-in cut-out	70-1/2" (1791 mm) x 40-1/2" (1029 mm)
-----------------	---------------------------------------

Included component:	
Cut-out template	106594-7

No change in measurements if connected with drain illustrated. (K-7158 or K-7158M)

## Required Electrical Service

Dedicated circuit required, protected with Class A Ground-Fault Circuit-Interrupter (GFCI) or Residual Current Device (RCD):	
Pump/control	208-240 V, 20 A, 50/60 Hz

## Installation Notes

**NOTE:** Pump protrusion beyond rim.

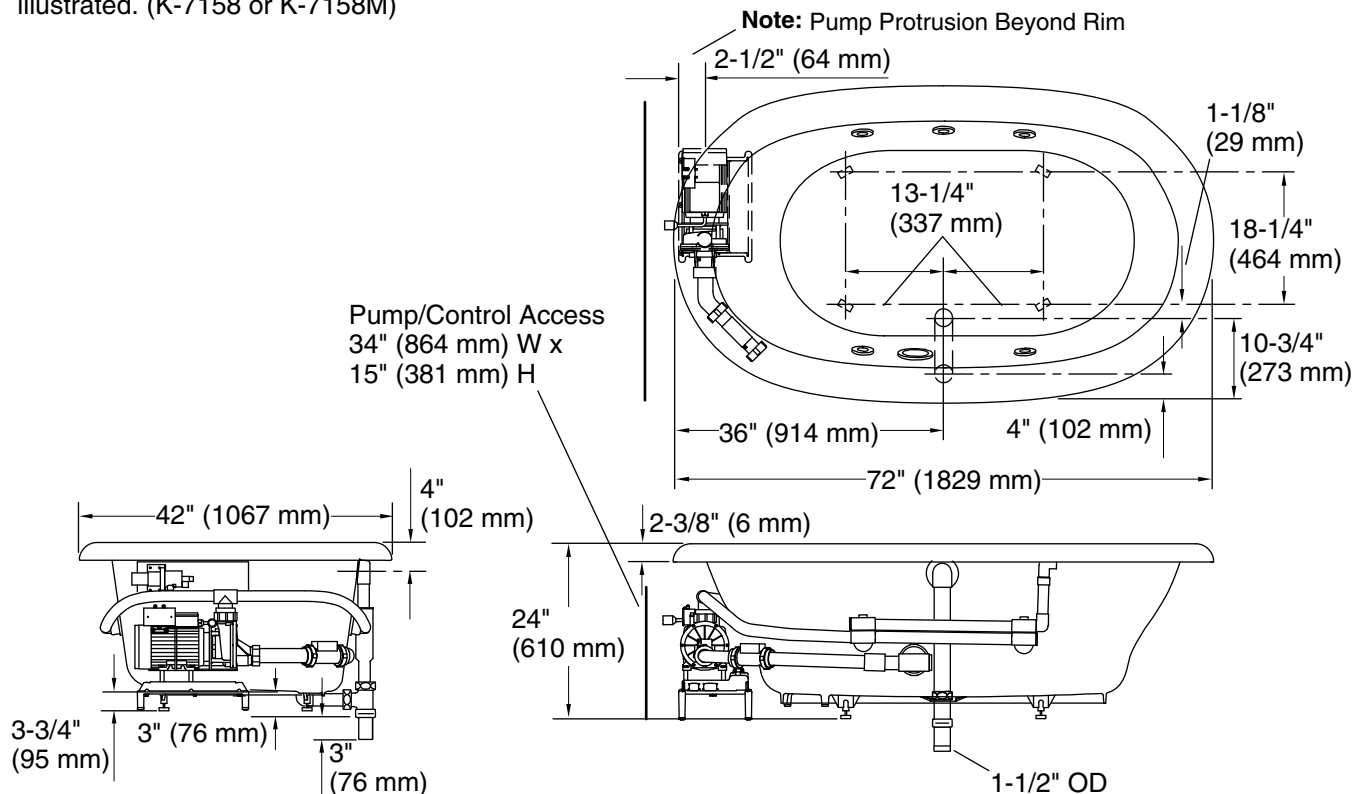
Install this product according to the installation guide.

Floor support under whirlpool must provide for a minimum of 61 lbs/square foot (294 kg/square meter) loading.

Hot water supply should be 70% of capacity or greater. Installations will vary.

Cast iron whirlpools are extremely heavy, making some drop-in installations difficult. Splitting the deck/surround is recommended if installing into a deck.

### K-702-N1



## Product Diagram