

5' BATH WHIRLPOOL K-852-HB ALSO K-852-HE

ADA

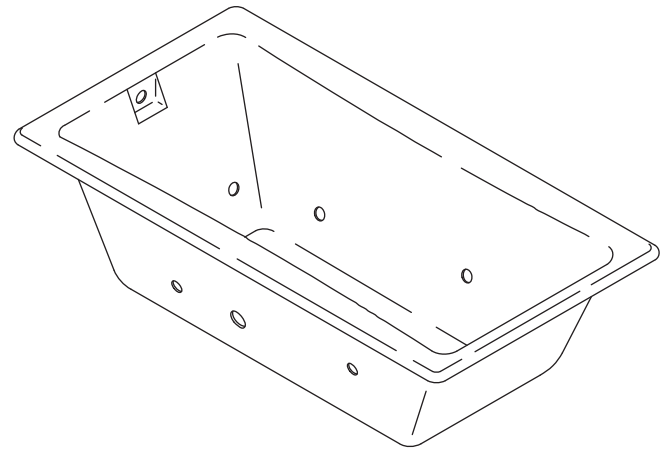
Features

- Cast iron with Safeguard® finish
- Variable speed pump with 1.5 kW heater, back-lit user keypad, and remote control
- 6 Flexjets™
- UL listed
- Less all trim
- ADA compliant when installed per Section 607 of the Act
- Custom pump locations
- 60" (1524 mm) x 32" (813 mm) x 18-1/4" (464 mm)

Codes/Standards Applicable

Specified model meets or exceeds the following:

- ASME A112.19.1/CSA B45.2
- ASME A112.19.7
- CSA B45.10
- CSA C22.2 No 218.2
- UL 1795
- ADA
- ICC/ANSI A117.1



Colors/Finishes

- 0: White
- Other: Refer to Price Book for additional colors/finishes

Accessories

- CP: Polished Chrome
- PB: Vibrant® Polished Brass
- Other: Refer to Price Book for additional colors/finishes
- NA: None applicable

Specified Model

Model	Description	Colors/Finishes	
K-852-HB	5' bath whirlpool, custom pump, shown	<input type="checkbox"/> 0	<input type="checkbox"/> Other_____
K-852-HE	5' bath whirlpool, custom pump, top view shown	<input type="checkbox"/> 0	<input type="checkbox"/> Other_____

Required Accessories				
K-7169-AF	Clearflo pop-up bath drain	<input type="checkbox"/> CP	<input type="checkbox"/> PB	<input type="checkbox"/> Other_____
K-9696	Jet trim kit	<input type="checkbox"/> CP	<input type="checkbox"/> PB	<input type="checkbox"/> Other_____

Optional Accessories		
K-586	Undermount installation kit (template and installation instructions)	<input type="checkbox"/> NA
K-1179	Vinyl tiling-in bead (use when wall material contacts any top surface of the bath)	<input type="checkbox"/> NA

Product Specification

The cast iron bath whirlpool with Safeguard finish shall be 60" (1524 mm) in length, 32" (813 mm) in width, and 18-1/4" (464 mm) in height. Product shall have 6 Flexjets, a variable speed pump with 1.5 kW heater, back-lit user keypad, and remote control. Product shall have custom pump locations. Product shall be ADA compliant when installed per Section 607 of the Act. Product shall be UL listed and less all trim. Bath whirlpool shall be Kohler Model K-852-_____-_____.

TEA-FOR-TWO®

Technical Information

Fixture*:			
Bathing well:			
Basin area, bottom	40-1/2" (1029 mm) x 20" (508 mm)		
Basin area, top	52-3/4" (1340 mm) x 24" (610 mm)		
Weight	290 lbs (131.5 kg)		
To overflow:			
Water depth	13-5/8" (346 mm)		
Capacity	60 gal (227.1 L)		
* Approximate measurements for comparison only.			
Pump	kW	V	A*
	1.5	240	11
* Approximate measurements for comparison only.			
Drop-in cutout	58-1/2" (1486 mm) x 30-1/2" (775 mm)		
Cut-out for undermount	K-586 template		

Required Electrical Service

Dedicated circuit required, protected with Class A Ground-Fault Circuit-Interrupter (GFCI) or Residual Current Device (RCD):	
Pump/control	208-240 V, 20 A, 50/60 Hz
Locate the outlet behind the whirlpool and within 24" (610 mm) of the pump.	

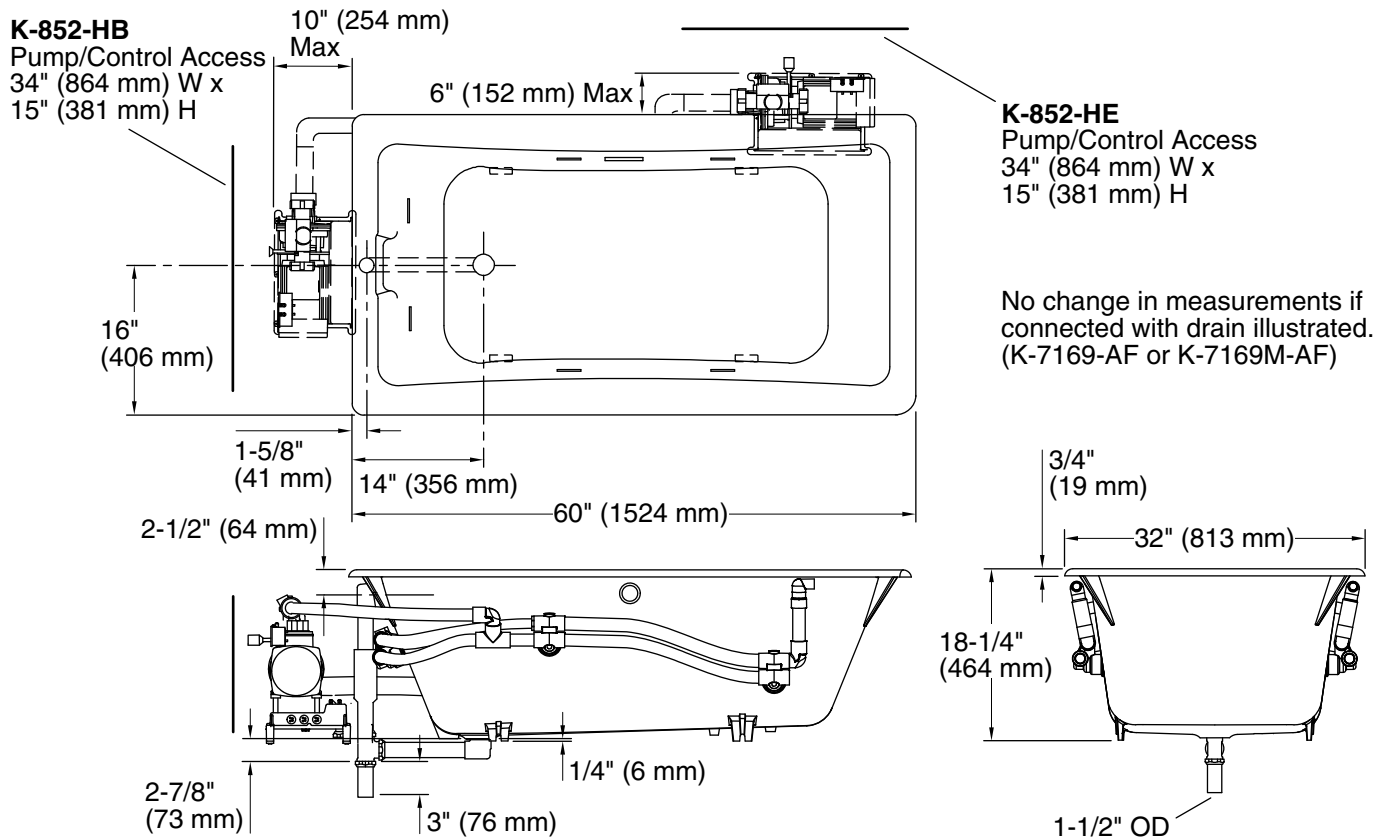
Installation Notes

Install this product according to the installation guide.

Floor support under whirlpool must provide for a minimum of 60 lbs/square foot (290 kg/square meter) loading.

Cast iron whirlpools are extremely heavy, making some drop-in installations difficult. Splitting the deck/surround is recommended if installing into a deck.

Pump must be relocated to custom position at the time of installation. Provide adequate clearance.



Product Diagram