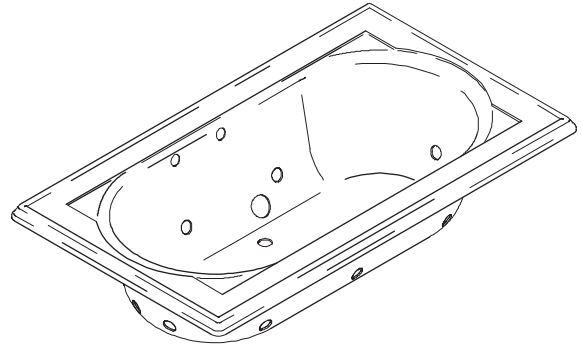


### Features

- Acrylic
- Variable speed pump with 1.5 kW heater and back-lit user keypad
- 8 Flexjet™ whirlpool jets
- Custom pump locations
- Less all trim
- 72" (1829 mm) x 42" (1067 mm) x 22" (559 mm)

### 6' CUSTOM BATH WHIRLPOOL K-1418-HC ALSO K-1418-HE/-HH/-HN



### Codes/Standards Applicable

Specified model meets or exceeds the following:

- ASME A112.19.7
- UL 1951
- CSA B45.5/IAPMO Z124
- ASTM E162
- ASTM E662

### Colors/Finishes

- 0: White
- Other: Refer to Price Book for additional colors/finishes

### Accessories

- Other: Refer to Price Book for additional colors/finishes

### Specified Model

Model	Description	Colors/Finishes	
K-1418-HC	Bath whirlpool, custom pump (shown)	<input type="checkbox"/> 0	<input type="checkbox"/> Other _____
K-1418-HE	Bath whirlpool, custom pump	<input type="checkbox"/> 0	<input type="checkbox"/> Other _____
K-1418-HH	Bath whirlpool, custom pump	<input type="checkbox"/> 0	<input type="checkbox"/> Other _____
K-1418-HN	Bath whirlpool, custom pump	<input type="checkbox"/> 0	<input type="checkbox"/> Other _____

Required Accessories			
K-9698	Jet trim kit	<input type="checkbox"/> CP	<input type="checkbox"/> Other _____

Recommended Accessories			
K-7161-AF	Pop-up bath drain	<input type="checkbox"/> CP	<input type="checkbox"/> Other _____

Optional Accessories			
K-1491	Pillow	<input type="checkbox"/> 0	<input type="checkbox"/> Other _____
K-1601	Footstop	<input type="checkbox"/> 0	<input type="checkbox"/> Other _____
K-1703	Remote control		<input type="checkbox"/> NA

### Product Specification

The acrylic bath whirlpool shall be 72" (1829 mm) in length, 42" (1067 mm) in width, and 22" (559 mm) in height. Product shall include custom pump locations, 8 Flexjets™, a variable-speed pump with 1.5 kW heater, and back-lit user keypad. Product shall be less all trim. Bath whirlpool shall be Kohler Model K-1418-\_\_\_\_\_-\_\_\_\_\_.

# MEMOIRS®

## Technical Information

Fixture*:	
Basin area:	
Bathing well	48" (1219 mm) x 27" (686 mm)
Top area	60" (1524 mm) x 30" (762 mm)
Weight	140 lbs (63.5 kg)
To overflow:	
Water depth	16" (406 mm)
Capacity	94 gal (355.8 L)
* Approximate measurements for comparison only.	

Drop-in cut-out	70-1/2" (1791 mm) x 40-1/2" (1029 mm)
-----------------	---------------------------------------

Pump:	kW	V	Hz	A
Variable-speed	1.5	240	50/60	11

## Required Electrical Service

Dedicated circuit required, protected with Class A Ground-Fault Circuit-Interrupter (GFCI) or Residual Current Device (RCD):

Pump/control	220/240 V, 20 A, 50/60 Hz
--------------	---------------------------

## Installation Notes

Install this product according to the installation guide.

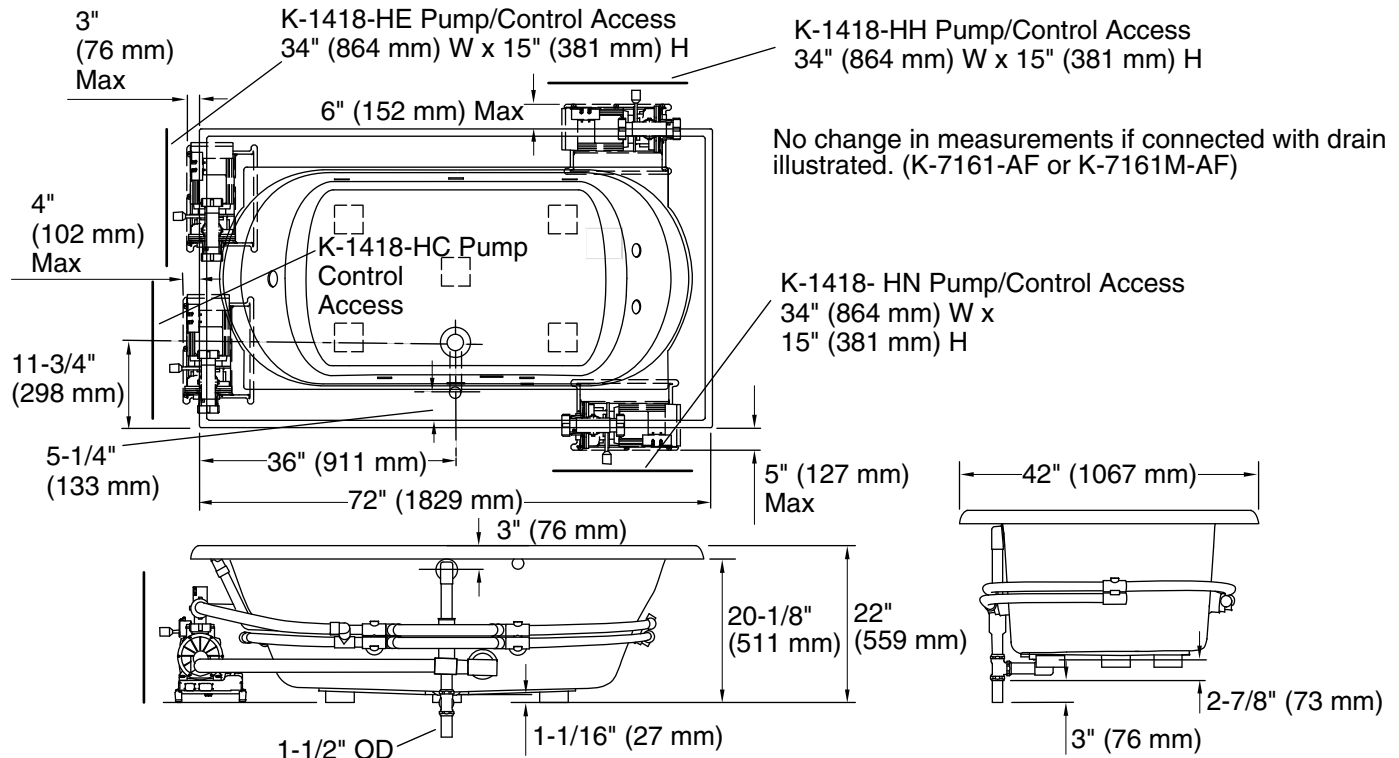
Floor support under whirlpool must provide for a minimum of 45 lbs/square foot (221 kg/square meter) loading.

Hot water supply should be 70% of capacity or greater. Installations will vary.

If installing a rim-mount faucet, make sure there is no interference with drain overflow and circulating system before drilling any holes. Consult local and national codes for minimum air gap requirements if installing a spout on the faucet deck.

Pump must be relocated to custom position at the time of installation. Provide adequate clearance.

This whirlpool is designed for drop-in installation only. It is not suited for use in a three-wall alcove with an overhead shower.



## Product Diagram