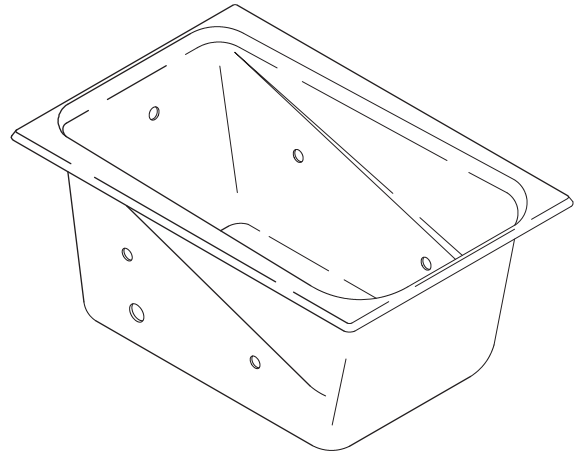


BATH WHIRLPOOL K-1492

Features

- Acrylic
- Variable speed pump with 1.5 kW heater and back-lit user keypad
- 4 Flexjet™ jets
- Less all trim
- Optional K-1491 removable bath pillow
- Optional K-1495 front apron
- 48" (1219 mm) x 32" (813 mm) x 23-3/8" (594 mm)



Codes/Standards Applicable

Specified model meets or exceeds the following:

- ASME A112.19.7
- CSA B45.5/IAPMO Z124
- ASTM E162
- ASTM E662
- UL 1795

Colors/Finishes

- 0: White
- Other: Refer to Price Book for additional colors/finishes

Accessories:

- CP: Polished Chrome
- PB: Vibrant® Polished Brass
- Other: Refer to Price Book for additional colors/finishes

Specified Model

Model	Description	Colors/Finishes		
K-1492-H2	Bath whirlpool	<input type="checkbox"/> 0 White	<input type="checkbox"/> Other_____	
Required Accessory				
K-9694	Jet trim kit	<input type="checkbox"/> CP	<input type="checkbox"/> PB	<input type="checkbox"/> Other_____
Recommended Accessory				
K-7163	Drain	<input type="checkbox"/> CP	<input type="checkbox"/> PB	<input type="checkbox"/> Other_____

Product Specification:

The bath whirlpool shall be 48" (1219 mm) in length, 32" (813 mm) in width, and 23-3/8" (594 mm) in height. Bath whirlpool shall be made of acrylic. Bath whirlpool shall have 4 Flexjets, 1.5 hp variable speed pump, 1.5 kW heater, and backlit user keypad. Bath whirlpool shall be UL listed. Bath whirlpool shall have optional K-1491 removable pillow and K-1495 front apron. Bath whirlpool shall be less all trim. Bath whirlpool shall be Kohler Model K-1492-_____-_____.

GREEK®

Technical Information

Fixture*:	basin area	top area	weight
Bathing well	36" (914 mm) x 20-1/2" (521 mm)	42" (1067 mm) x 26" (660 mm)	103 lbs (46.7 kg)
	water depth	capacity	
To overflow	17-1/2" (445 mm)	68 gal (257.4 L)	
* Approximate measurements for comparison only.			

Pump:	Heater	V	Hz	A
1.5 hp	1.5 kW	240	50/60	11

Drop-in cutout	46-1/2" (1181 mm) x 30-1/2" (775 mm)
----------------	--------------------------------------

Minimum required access panel:	
Pump/control	20" (508 mm) W x 15" (381 mm) H

Required Electrical Service

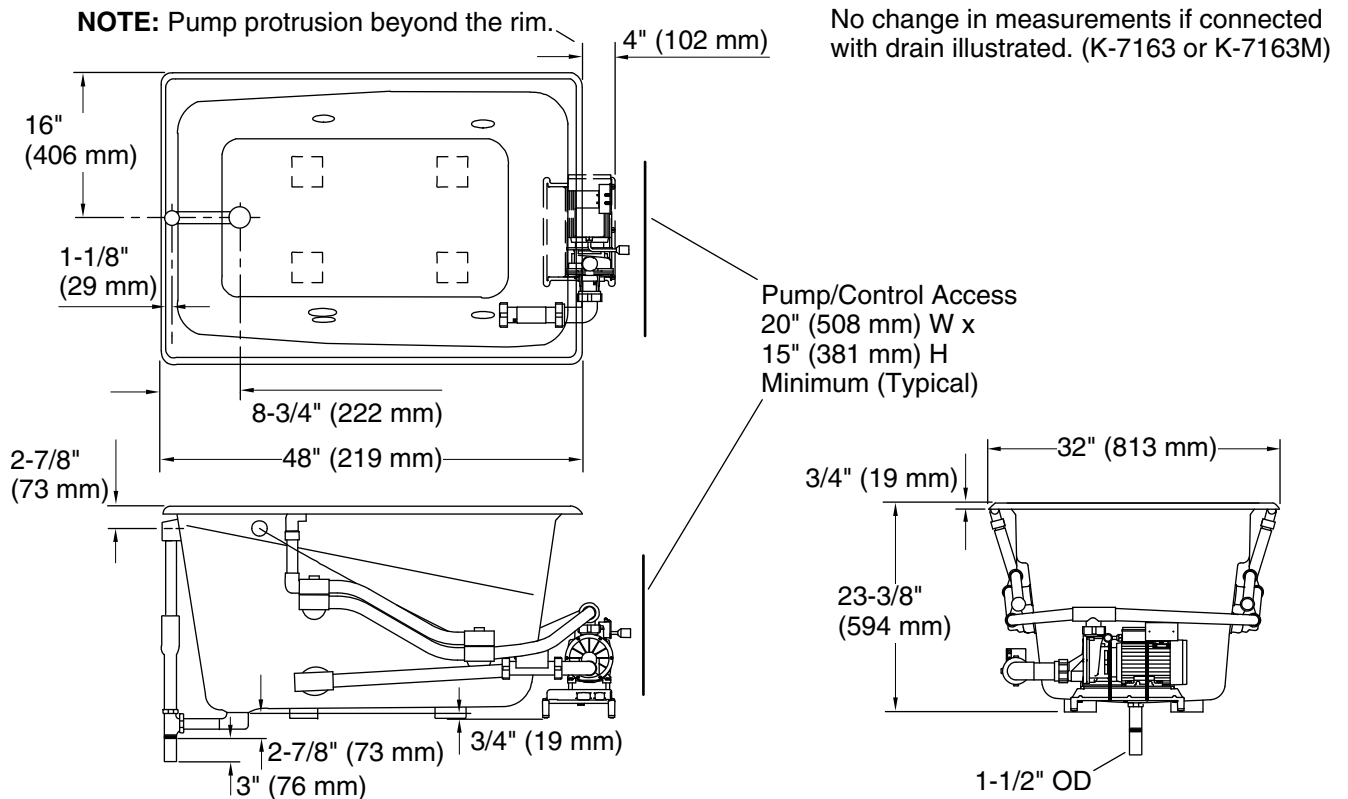
A dedicated circuit protected with a Class A Ground-Fault Circuit-Interrupter (GFCI):	
Pump/control	220/270 V, 20 A, 50/60 Hz

Installation Notes

NOTE: Pump protrudes beyond rim.

Floor support under whirlpool must provide for a minimum of 65 lbs (318 kg) loading.

Hot water supply should be 70% of capacity or greater. Installations will vary.



Product Diagram