

## Features

- Premium material construction.
- 1/2" NPT connection.
- Sculpted lever handle.



## Codes/Standards

ASME A112.18.1/CSA B125.1

## KOHLER® Faucet Lifetime Limited Warranty

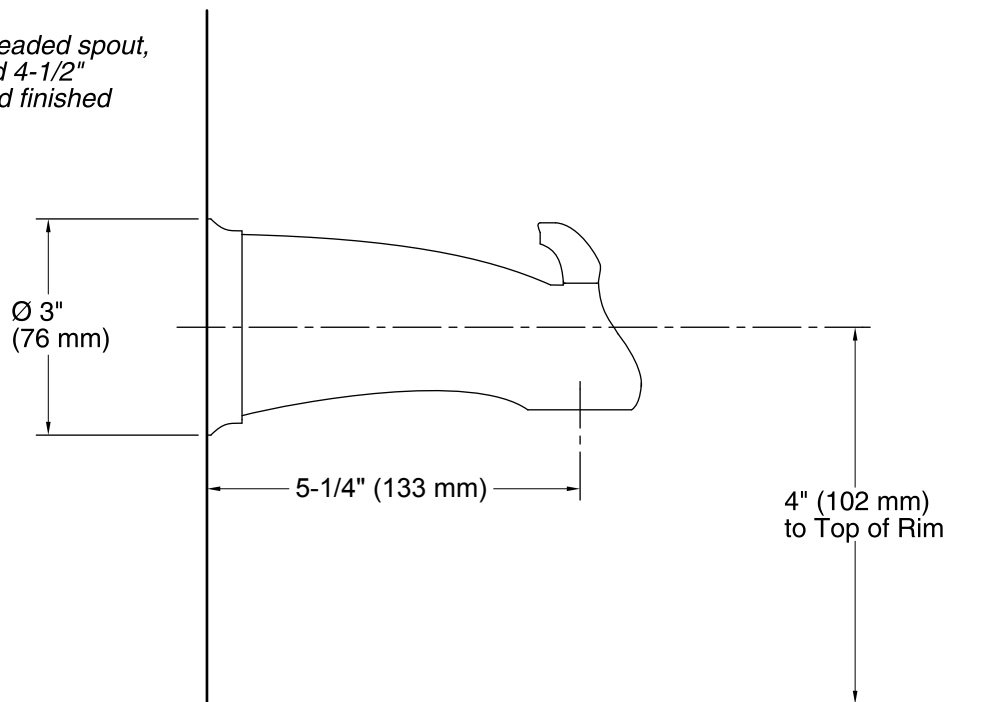
See website for detailed warranty information.

## Available Color/Finishes

*Color tiles intended for reference only.*

Color	Code	Description
	CP	Polished Chrome
	G	Brushed Chrome
	BN	Vibrant® Brushed Nickel

*For 1/2" NPT threaded spout,  
pipe must extend 4-1/2"  
(114 mm) beyond finished  
wall.*



## Technical Information

All product dimensions are nominal.

### Spout:

Spout reach:  $5\text{-}1/4''$  (133 mm)

## Notes

Install this product according to the installation guide.

Cap the shower outlet if the deck-mounted spout, diverter, or handshower is connected to the spout outlet.

If installing a K-304 valve, install straight pipe or tube drop of  $7''$  (178 mm) to  $18''$  (457 mm) with single elbow between the valve and the wall-mount spout.