

Features

- Premium material construction.
- Slip-fit connection.
- Traditional lever handle.



Codes/Standards


ASME A112.18.1/CSA B125.1

KOHLER® Faucet Lifetime Limited Warranty

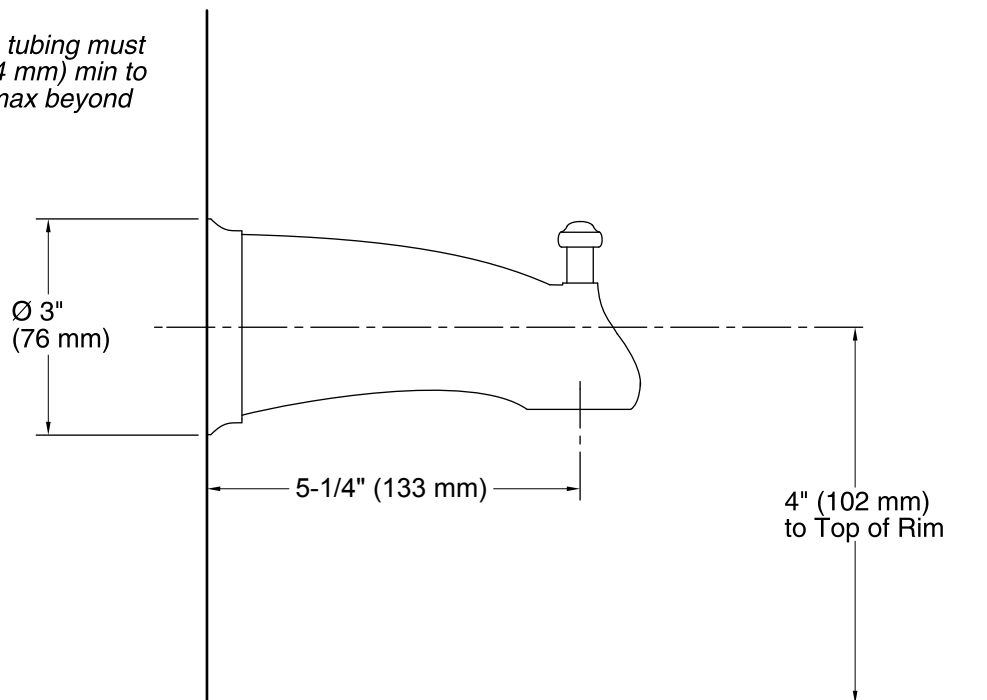
See website for detailed warranty information.

Available Color/Finishes

Color tiles intended for reference only.

Color	Code	Description
	CP	Polished Chrome
	G	Brushed Chrome
	BN	Vibrant® Brushed Nickel

For slip-fit spout, tubing must extend 2-1/8" (54 mm) min to 3-1/2" (89 mm) max beyond finished wall.



Technical Information

All product dimensions are nominal.

Spout:

Spout reach: $5\text{-}1/4''$ (133 mm)

Notes

Install this product according to the installation guide.

Cap the shower outlet if the deck-mounted spout, diverter, or handshower is connected to the spout outlet.

If installing a K-304 valve, install straight pipe or tube drop of $7''$ (178 mm) to $18''$ (457 mm) with single elbow between the valve and the wall-mount spout.