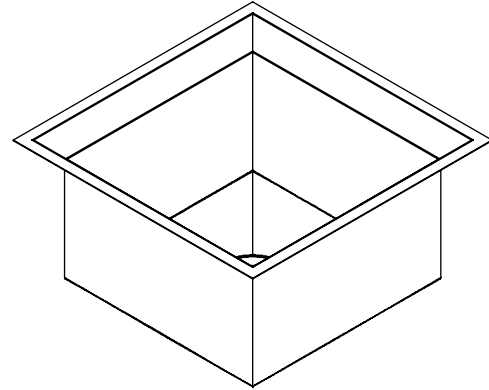


Features

- 16-gauge stainless steel
- Mirror finished rim (-H)
- Undercounter
- Single compartment
- Includes cutting board and bottom basin rack
- Includes installation hardware
- 14" (35.6 cm) x 14" (35.6 cm)

UNDERCOUNTER ENTERTAINMENT SINK K-3161



Codes/Standards Applicable

Specified model meets or exceeds the following:

- ASME A112.19.3/CSA B45.4

Colors/Finishes

- NA: None applicable

Accessories:

- CP: Polished Chrome
- ST: Stainless Steel
- NA: None applicable
- Other: Refer to Price Book for additional colors/finishes

Specified Model

Model	Description	Colors/Finishes
K-3161	Undercounter entertainment sink with cutting board and bottom basin rack	<input type="checkbox"/> NA
K-3161-H	Undercounter entertainment sink with mirror finished rim, cutting board and bottom basin rack	<input type="checkbox"/> NA

Included Accessories

K-3140	Bamboo cutting board	<input type="checkbox"/> NA
K-3142	Bottom basin rack	<input type="checkbox"/> ST

Optional Accessories

K-2989	Countertop cutting board	<input type="checkbox"/> NA
K-8801	Duostrainer® sink strainer	<input type="checkbox"/> CP <input type="checkbox"/> Other_____

Product Specification

The undercounter entertainment sink shall be 14" (35.6 cm) in length and 14" (35.6 cm) in width. Sink shall be made of 16 gauge stainless steel. Sink shall have mirror finished rim (-H). Sink shall be single compartment. Sink shall include cutting board, bottom basin rack, and installation hardware. Sink shall be Kohler Model K-3161-_____.

Technical Information

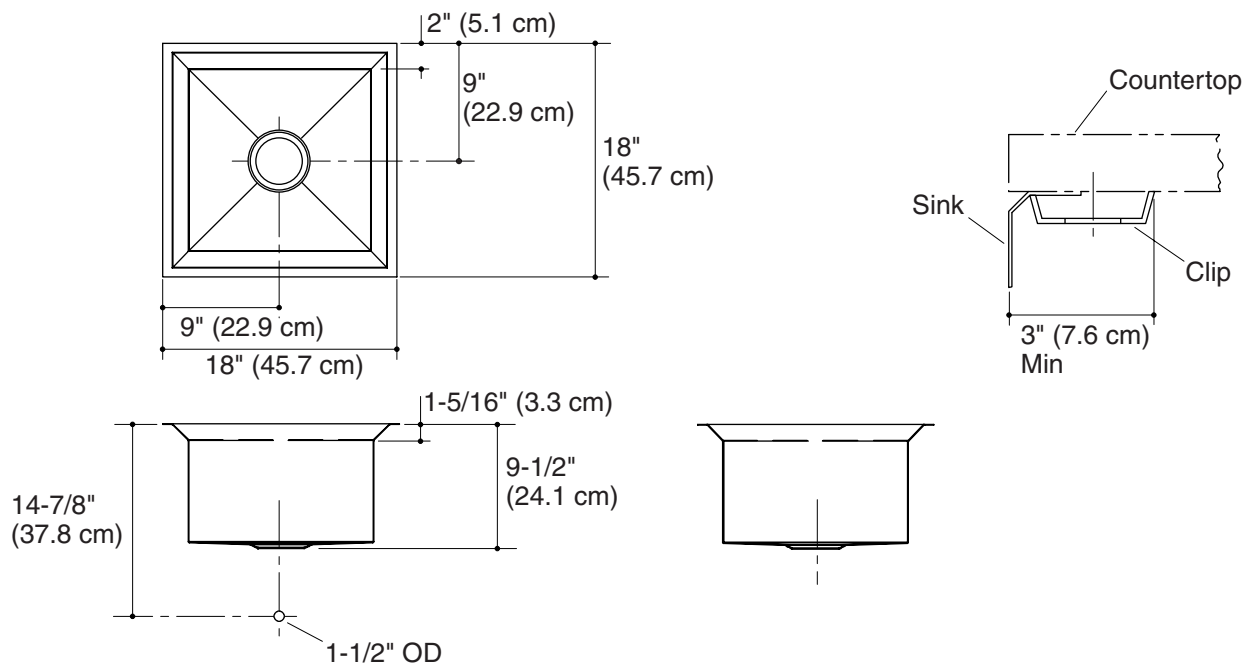
Fixture*:	
Basin area	14" (35.6 cm) x 14" (35.6 cm)
Water depth	9-3/16" (23.3 cm)
Drain hole	3-5/8" (9.2 cm) D.
*Approximate measurements for comparison only.	

Included components:	
Hardware kit	91915
Cut-out template	1022021-7
Sink	K-3391
Bamboo cutting board	K-3140
Bottom basin rack	K-3142

Installation Notes

Install this product according to the installation guide.

Allow a minimum of 3" (7.6 cm) clearance around the sink rim for clip attachment.



Product Diagram