

TECHNICAL GUIDE

DOWNFLOW / HORIZONTAL ELECTRIC FURNACE



MODELS: WEFC & WEFX SERIES

LIST OF SECTIONS

| | | | |
|---|---|---|---|
| 1 – Description, Warranty, Features | 1 | 4 – Thermostat and Low Voltage Wiring and Connections | 4 |
| 2 – Furnace Specifications / Tables | 2 | 5 – Blower Motor Terminal Connections | 5 |
| 3 – Electrical Specifications and Control Box | 3 | 6 – Blower Speed Tap Settings and Blower Performance Tables | 6 |

LIST OF FIGURES

| | | | |
|---|---|--|---|
| 1 – Furnace Dimensions | 1 | 5 – Wiring Diagram same Thermostat Separate heat/Cool | 4 |
| 2 – Control Box Component Locations | 3 | 6 – Wiring Diagram Typical Heating/Cooling Connections | 4 |
| 3 – Wiring Diagram Separate Thermostat Same Heat/Cool | 4 | 7 – Wiring Diagram Typical Heating/Heat Pump Connections | 4 |
| 4 – Wiring Diagram Same Thermostat Separate Heat/HP | 4 | 8 – X-13 Blower Motor Terminal Connections | 5 |

LIST OF TABLES

| | | | |
|--|---|---|----|
| 1 – Electric Furnace Model Specifications | 2 | 12 – Factory Speed Tap Settings | 6 |
| 2 – Model Nomenclature | 2 | 13 – Blower Performance 1/3 HP PSC Motor | 7 |
| 3 – Optional Cooling Cabinets and Return Air Grille | 2 | 14 – Blower Performance 1/3 HP X-13 Motor | 8 |
| 4 – Clearances to Combustibles | 2 | 15-1 – Blower Performance 1/2 HP X-13 Motor | 9 |
| 5 – Wiring Requirements – Single Branch Circuit | 3 | 15-2 – Blower Performance 1/2 HP X-13 Motor | 10 |
| 6 – Wiring Requirements – Dual Branch Circuit | 3 | 16 – Blower Performance 3/4 HP X-13 Motor | 11 |
| 7 – Electrical Data | 3 | 17-1 – Blower Performance 1/2 HP PSC Motor | 12 |
| 8 – Low Voltage Wire Gauge and Max. Lengths | 4 | 17-2 – Blower Performance 1/2 HP PSC Motor | 13 |
| 9 – Recommended Heat/Cool T’stat Wire Color Code | 5 | 18 – Blower Performance 3/4 HP PSC Motor | 14 |
| 10 – Recommended Heat/Cool/HP T’stat Wire Color Code | 5 | 19 – Accessory Parts | 15 |
| 11 – X-13 Motor Terminal Connections | 5 | | |

SECTION I: DESCRIPTION

This electric furnace is designed for residential installation in Manufactured (Mobile) Homes, Modular Homes and Residential Homes. All furnaces are factory assembled, wired and run tested to assure dependable and economical operation.

Warranty

- 5 - Year limited furnace warranty
- 1 - Year limited parts warranty

Features

- Furnace is rated at 240 volts AC at 60 Hertz
- Furnace has the same dimensions for all models
- Compact, easy to install, 33” cabinet height
- Blower off delay for cooling SEER improvement
- WEFX models have X-13 blower motor for low current draw, thus efficiency and SEER improvement
- WEFC models have a PSC blower motor; 1/3, 1/2 and 3/4 HP PSC blower motors available
- Timed on blower capability for maximum comfort
- 240, 40VA Fuse protected control transformer
- Quiet blower operation
- Optional WR 1F95-1291 Thermostat
- Optional blower speed change relay
- All models are A/C ready furnaces equipped with blower for A/C or Heat Pump operation
- Holding Strap furnished with furnace
- This furnace is designed for downflow or horizontal application

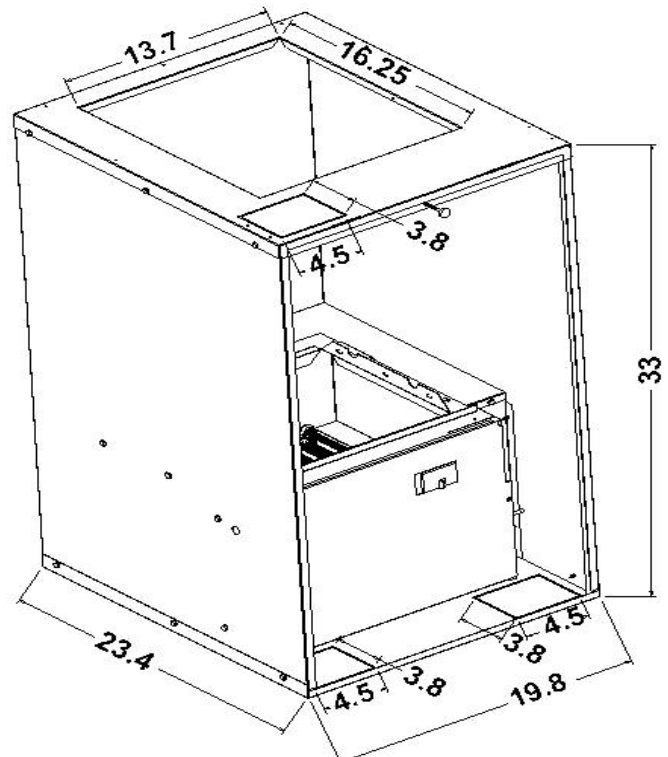


Figure 1: Furnace Dimensions

SECTION II: FURNACE SPECIFICATIONS / TABLES

| | | | | |
|-----------------------------------|---------------------|-------|-------|-------|
| Models | ALL | ALL | ALL | ALL |
| Input, kW | 5 | 8 | 10 | 12 |
| With A-Coil Cabinet | NO | NO | NO | NO |
| Air Temperature Rise, Range - F | 20-80 | 20-80 | 30-90 | 30-90 |
| Designed Max Outlet Air Temp-F | 170 | 170 | 180 | 180 |
| Blower-Heat or Heat/Cool | 10 X 9 BLOWER | | | |
| Max. External SP (Duct), In. W.C. | 0.3 | | | |
| Thermostat Circuit | 24 VAC, 60 Hz, 40VA | | | |
| Electric Furnace Cabinet Height | 33 inches | | | |

| | | | |
|-----------------------------------|---------------------|--------|--------|
| Models | ALL | ALL | ALL |
| Input, kW | 15 | 17 | 20 |
| With A-Coil Cabinet | NO | NO | NO |
| Air Temperature Rise, Range - F | 35-100 | 40-100 | 40-100 |
| Designed Max Outlet Air Temp-F | 185 | 185 | 185 |
| Blower-Heat or Heat/Cool | 10 X 9 BLOWER | | |
| Max. External SP (Duct), In. W.C. | 0.3 | | |
| Thermostat Circuit | 24 VAC, 60 Hz, 40VA | | |
| Electric Furnace Cabinet Height | 33 inches | | |

Table 1: Electric Furnace Model Specifications

Table 1: Electric Furnace Model Specifications

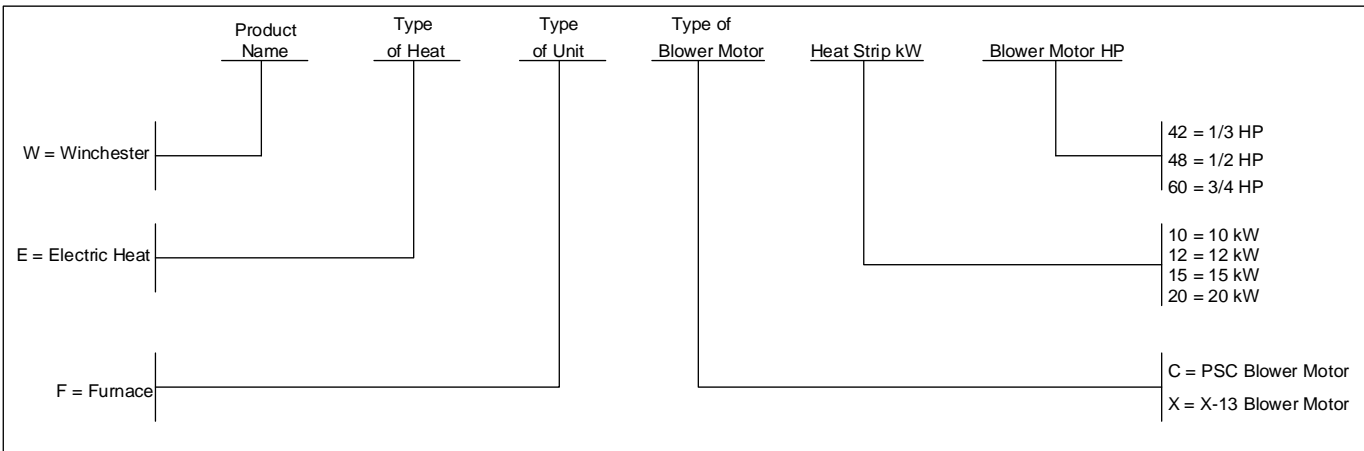


Table 2: Model Nomenclature

| Coil Cabinet Model | Front Door of Cabinet | Open Top 17 3/4" x 21 3/4" | Maximum Air Flow CFM | 1" Pleated Air Filter, In The Door | 2" Pleated Air Filter, Top of Cabinet | Height | Depth | Width | Coil Sizes |
|--------------------|-----------------------|----------------------------|----------------------|------------------------------------|---------------------------------------|---------|-------|---------|---|
| 97-FLSB-21 | Louvered | N/A | 1200 | 20x20 | | 23 1/4" | 25" | 19 3/4" | All Mortex 96 series coils will fit in cabinet |
| 97-FSOB-21 | Solid | | 1600 | | 20x24 | 23 1/4" | 25" | 19 3/4" | |
| 97-FLOB-21 | Louvered | | 1800 | 20x20 | 20x24 | 23 1/4" | 25" | 19 3/4" | |
| 97-FLSB-27 | Louvered | N/A | 1600 | 20x30 | | 30 1/2" | 25" | 19 3/4" | 96-97 series coils and 98 series coils sizes up to 98-8W7 |
| 97-FSOB-27 | Solid | | 1600 | | 20x24 | 30 1/2" | 25" | 19 3/4" | |
| 97-FLOB-27 | Louvered | | 1800 | 20x20 | 20x24 | 30 1/2" | 25" | 19 3/4" | |
| 97-FLSB-39 | Louvered | N/A | 1800 | 2ea 20x20 | | 40 1/4" | 25" | 19 3/4" | All Mortex series coils will fit in cabinet |
| 97-FSOB-39 | Solid | | 2000 | | 20x24 | 40 1/4" | 25" | 19 3/4" | |
| 97-FG-18 | Louvered | N/A | 1200 | N/A | N/A | 18" | N/A | 19 3/4" | Frame & Grills Non-Cabinet |
| 97-FG-24 | Louvered | N/A | 1600 | N/A | N/A | 24" | N/A | 19 3/4" | |

Table 3: Optional Cooling Cabinets and Return Air Grille Frame Assemblies

| MODEL | CLEARANCES | | | | | |
|-------|------------|-----------|------------|------------------------------|-------------|-----------|
| | TOP (in) | BACK (in) | SIDES (in) | FRONT OF FURNACE ALCOVE (in) | CLOSET (in) | DUCT (in) |
| ALL | 6 | 0 | 0 | 18 | 6 | 0 |

Table 4: Clearances to Combustibles

Furnace Weights

WEFXxx42 Models – 82 lbs
 WEFXxx48 Models – 79 lbs
 WEFXxx60 Models – 85 lbs

SECTION III: ELECTRICAL SPECIFICATIONS AND CONTROL BOX

| | ELECTRIC HEATER SIZES | | | | | | |
|--------------------------|-----------------------|-------|-------|-------|-------|-------|-------|
| | 5 kW | 8 kW | 10 kW | 12 kW | 15 kW | 17 kW | 20 kW |
| Circuit Load - FLA | 25.83 | 38.33 | 46.50 | 55.00 | 67.33 | 75.83 | 88.16 |
| Minimum Wire Size (90°C) | #10 | #8 | #8 | #6 | #4 | #4 | #3 |
| Minimum Wire Size (75°C) | #10 | #8 | #6 | #6 | #4 | #3 | #2 |
| Minimum Wire Size (60°C) | #10 | #8 | #6 | #4 | #3 | #2 | #1 |
| Ground Wire Size | #10 | #8 | #8 | #6 | #4 | #4 | #3 |
| Max Fuse Amps | 35 | 50 | 60 | 60 | 80 | 90 | 100 |

Table 5: Wiring Requirements – Single Branch Circuit

- Requires a circuit breaker jumper bar or a jumper wire.
- + Refer to the National Electrical Code Table 250-95 for Non-Sheathed Conductor Ground Wire.

| | ELECTRIC HEATER SIZES | | | | | | | | | | | | |
|--------------------------|-----------------------|-------|------|------|-------|-------|-------|-------|-------|-------|-------|---|-------|
| | 5 kW | | 8 kW | | 10 kW | | 12 kW | | 15 kW | | 17 kW | | 20 kW |
| Circuit Number | 1 | 1 | 1 | 1 | 1 | 2 | 1 | 2 | 1 | 2 | 1 | 2 | |
| Circuit Load - FLA | 25.83 | 38.33 | 46.5 | 55.0 | 46.5 | 20.83 | 55.0 | 20.83 | 46.5 | 41.66 | | | |
| Minimum Wire Size (90°C) | #10 | #8 | #8 | #6 | #8 | #10 | #6 | #10 | #8 | #8 | | | |
| Minimum Wire Size (75°C) | #10 | #8 | #6 | #6 | #6 | #10 | #6 | #10 | #6 | #6 | | | |
| Minimum Wire Size (60°C) | #10 | #8 | #6 | #4 | #6 | #10 | #4 | #10 | #6 | #6 | | | |
| Ground Wire Size | #10 | #8 | #8 | #6 | #8 | #10 | #6 | #10 | #8 | #8 | | | |
| Max Fuse Amps | 35 | 50 | 60 | 60 | 60 | 25 | 60 | 25 | 60 | 50 | | | |

Table 6: Wiring Requirements – Dual Branch Circuit

- Dual power supply for US only.
- + Refer to the National Electrical Code Table 250-95 for Non-Sheathed Conductor Ground Wire.

| Branch Circuit Number | | ELECTRIC HEATER SIZES | | | | | | | | | | | |
|--------------------------|------|-----------------------|--------|--------|----------|---------|--------|--------|--------|---------|--------|-------|--|
| | | 5 kW | | 8 kW | | 10 kW | | 12 kW | | 15 kW | | 17 kW | |
| 240 VAC, 60 HZ, 1 PH | BTU | 17,033 | 27,263 | 34,067 | 40,946.0 | 34,067 | 17,033 | 40,946 | 17,033 | 34,067 | 34,067 | | |
| | kW | 4.99 | 7.99 | 10 | 12.0 | 10 | 4.99 | 12.0 | 4.99 | 10 | 10 | | |
| 230 VAC, 60 HZ, 1 PH | BTU | 15,876 | 26,512 | 33,686 | 38,612 | 33,686 | 15,876 | 38,612 | 15,876 | 33,686 | 33,686 | | |
| | kW | 4.65 | 7.77 | 9.78 | 11.32 | 9.78 | 4.65 | 11.32 | 4.65 | 9.78 | 9.78 | | |
| 220 VAC, 60 HZ, 1 PH | BTU | 14,736 | 23,339 | 30,222 | 36,483 | 30,222 | 14,736 | 36,483 | 14,736 | 30,222 | 30,222 | | |
| | kW | 4.32 | 6.84 | 8.86 | 10.69 | 8.86 | 4.32 | 10.69 | 4.32 | 8.86 | 8.86 | | |
| Heating Element Capacity | BTU | 17,033 | 27,263 | 34,067 | 40,946 | 51,149 | | 57,979 | | 68,232 | | | |
| | kW | 4.99 | 7.99 | 9.998 | 12 | 14.9904 | | 16.992 | | 19.9968 | | | |
| Blower Motor @ 240 VAC | AMPS | 4.3 | 4.3 | 4.3 | 4.3 | 4.3 | N/A | 4.3 | N/A | 4.3 | N/A | | |
| | kW | 1.032 | 1.032 | 1.032 | 1.032 | 1.032 | N/A | 1.032 | N/A | 1.032 | N/A | | |

Table 7: Electrical Data

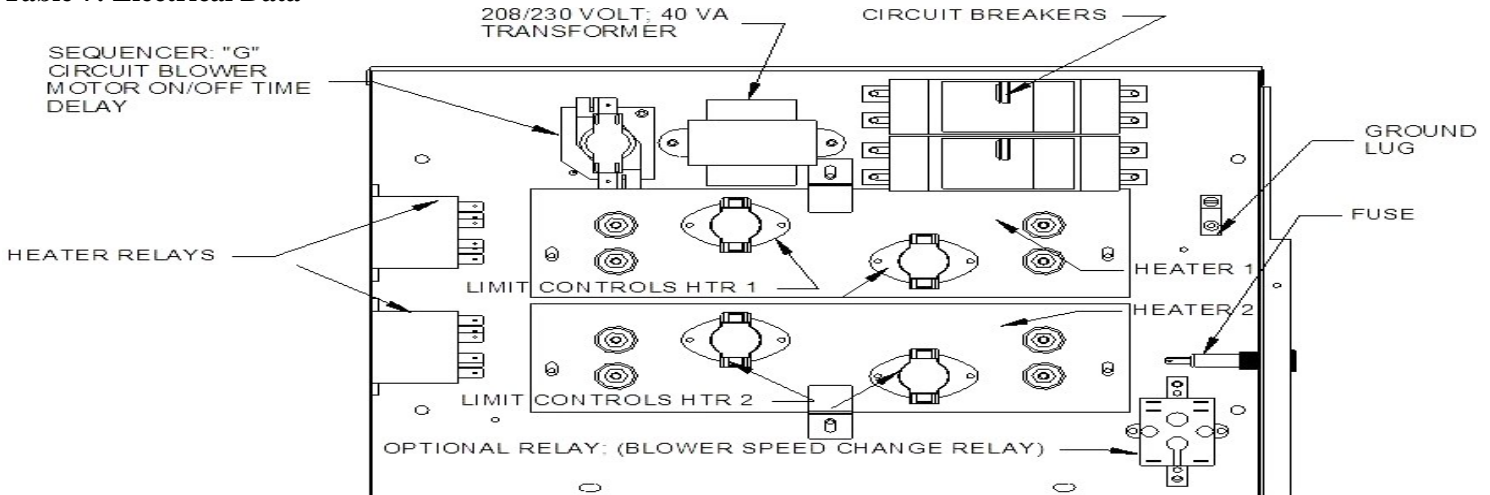


Figure 2: Control Box Component Locations

Casing or cabinet must be permanently grounded in accordance with the National Electrical Code or other applicable codes.

SECTION IV: THERMOSTAT AND LOW VOLTAGE WIRING AND CONNECTIONS

| Thermostat Wire Length | Thermostat Wire Gauge | Thermostat Wire Maximum Current |
|------------------------|-----------------------|---------------------------------|
| 0 - 70 Feet | 20 | 1.5 amps |
| 0 - 120 Feet | 18 | 2.3 amps |

Table 8: Low Voltage Wire Gauge and Max Lengths

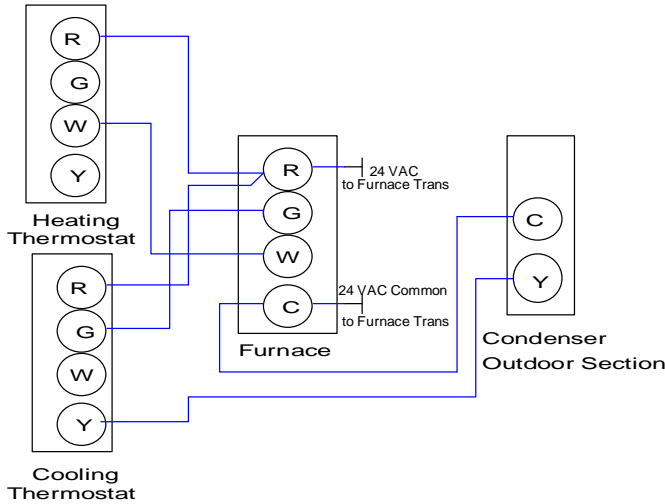


Figure 3: Separate Thermostats; Same Furnace and Cooling Unit

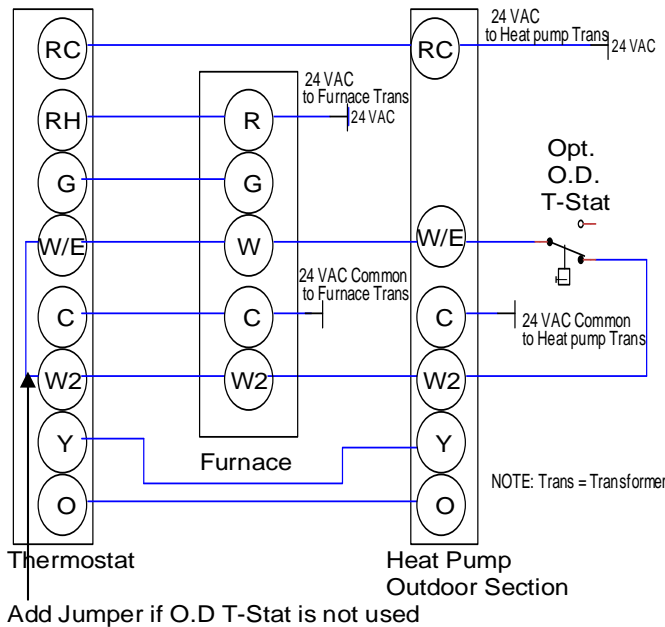


Figure 4: Same Thermostat; Separate Furnace and Heat Pump Units with separate transformers

Add Jumper if O.D T-Stat is not used

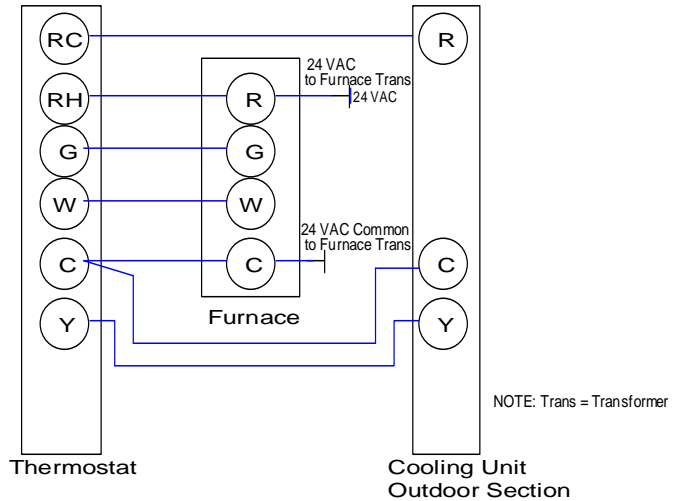


Figure 5: Same Thermostat; Separate Furnace and Cooling Units with separate transformers; Digital Thermostat

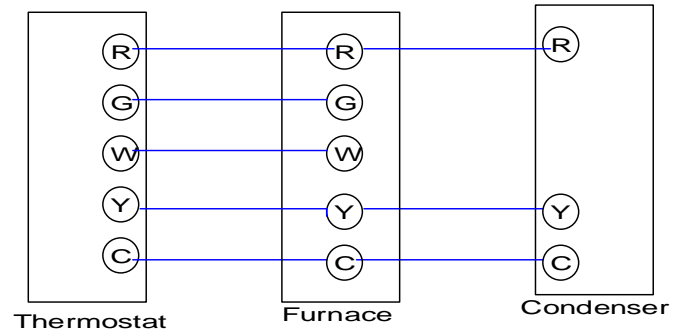


Figure 6: Typical Heating / Cooling Digital Thermostat Connections

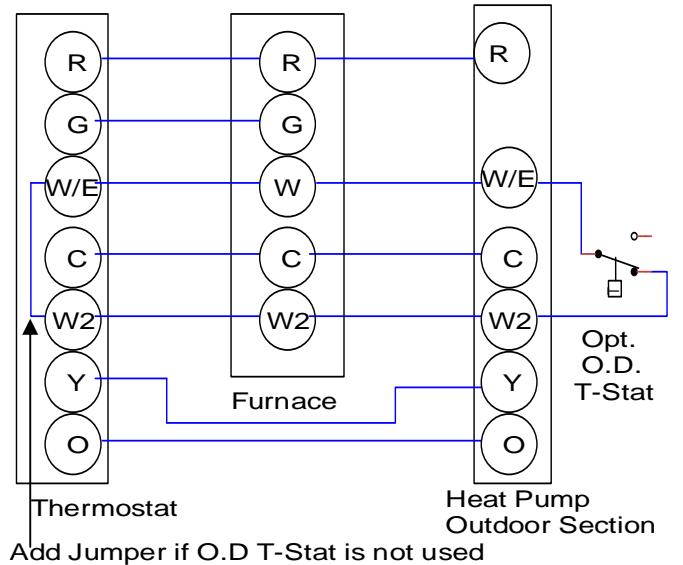


Figure 7: Typical Heat Pump – Heating / Cooling Thermostat Connections

| Wire Color | Description | Letter Code | Furnace Pig Tail Wire Connection | Thermostat Connection | Condenser Connections |
|------------|-----------------------|-------------|----------------------------------|-----------------------|-----------------------|
| RED | 24 VAC | R | Red | R | N/A |
| WHITE | Heat (1st Stage Heat) | W | White | W or W1 | N/A |
| GREEN | Indoor Fan | G | Green | G | N/A |
| YELLOW | Cooling - Stage 1 | Y | Yellow | Y or Y1 | Y or Y1 |
| BLACK | 24 VAC Common | BLK | Black | C | C |

Table 9: Recommended Heating/Cooling Thermostat Wire Color Codes and Connections.

| Wire Color | Description | Letter Code | Furnace Pig Tail Wire Connection | Thermostat Connection | Condenser Connections |
|------------|--|-------------|----------------------------------|-----------------------|-----------------------|
| RED | 24 VAC | R | Red | R | N/A |
| WHITE | Heat (1st Stage Heat) | W | White | E | N/A |
| GREEN | Indoor Fan | G | Green | G | N/A |
| YELLOW | Cooling - Stage 1 | Y | Yellow | Y or Y1 | Y or Y1 |
| BLACK | 24 VAC Common | BLK | Black | C | C |
| BROWN | Heat (Optional 2nd Stage Heat) | BRN | White | W2 | N/A |
| ORANGE | Heat Pump Reversing Valve Solenoid | O | N/A | O | O |
| BLUE | Cooling - (Optional 2nd Stage Cooling) | BLU | N/A | Y2 | Y2 |

Table 10: Recommended Heating/Cooling/Heat Pump Thermostat Wire Color Codes and Connections.

| Terminal | Connection |
|----------|--|
| C | Speed Tap Common - 24 VAC Common |
| L | Supply Voltage to Motor - 240 VAC Line 1 |
| G | Ground Connection |
| N | Supply Voltage to Motor - 240 VAC Line 2 |
| 1 | Low Speed Tap - 24 VAC |
| 2 | Med-Low Speed Tap - 24 VAC |
| 3 | Medium Speed Tap - 24 VAC |
| 4 | Med-High Speed Tap - 24 VAC |
| 5 | High Speed Tap - 24 VAC |

Blower Motor FLA

- 1/3 HP PSC Motor – 3.3
- 1/2 HP PSC Motor – 3.0
- 3/4 HP PSC Motor – 5.4
- 1/3 HP X-13 Motor – 2.8
- 1/2 HP X-13 Motor – 4.3
- 3/4 HP X-13 Motor – 6.8

Thermostat Heat Anticipator

The heat anticipator should be set to the following settings.
 For 5kW, 8kW, 10kW, 12kW models set at 0.2
 15kW, 17kW and 20 kW Models Set at 0.4

Table 11: X-13 Motor Terminal Connections

SECTION V: BLOWER PERFORMANCE, MOTOR TERMINAL CONNECTIONS

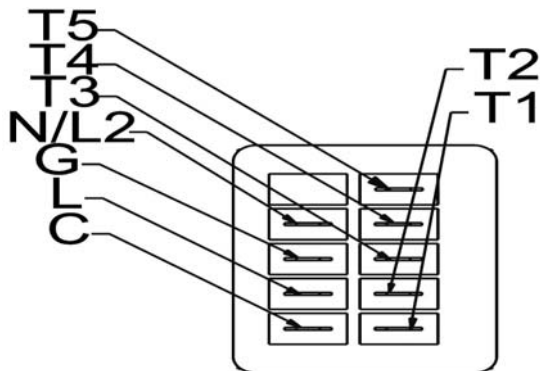


Figure 8: X-13 Motor Terminals

SECTION VI: BLOWER PERFORMANCE AND MOTOR SPEED TAP SETTINGS.

Factory Speed Tap Settings @ .3 ESP with Filter and Coil

| Series Model | Sp Tap | Nom-Tons | CFM | Coil Range (See Coil Face Velocity Chart Below) | Max kW | Blower Setting |
|---|-------------------|-----------|-------------|--|---------|---|
| WEFCxx48 | Low | 2.0-2.5 | 950 | 96-Series, 97-Series, 98-Series | 12 | Factory Setting High |
| | Med | 2.5-3.0 | 1100 | | 15 | |
| | High | 3.0-3.5 | 1400 | | 20 | |
| WEFXxx42 | T-1 | 1.5 | 580 | 96-Series, 97-Series, 98-Series | 5 | Factory Setting T-5 |
| | T-2 | 2.0 | 750 | | 8 | |
| | T-3 | 2.5 | 925 | | 8 | |
| | T-4 | 3.0 | 1120 | | 10 | |
| | T-5 | 3.5 | 1300 | | 12 | |
| WEFXxx48 | T-1 | 2.0 | 800 | 96-Series (Do Not use T-5 w/96-), 97-Series, 98-Series | 12 | Factory Setting T-5 |
| | T-2 | 2.5 | 950 | | 15 | |
| | T-3 | 3.0 | 1120 | | 15 | |
| | T-4 | 3.5 | 1260 | | 17 | |
| | T-5 | 4.0 | 1380 | | 20 | |
| WEFXxx60 | T-1 | 3.0 | 1080 | 98-Series only | 17 | Factory Setting T-3 |
| | T-2 | 3.5 | 1300 | | 20 | |
| | T-3 | 4.0 | 1440 | | 20 | |
| | T-4 | 4.0 | 1520 | | 20 | |
| | T-5 | 5.0 | 1680 | | 20 | |
| WEFC48**** | 1/2 HP PSC Motor | | | | | |
| WEFX42**** | 1/3 HP X-13 Motor | | | | | |
| WEFX48**** | 1/2 HP X-13 Motor | | | | | |
| WEFX60**** | 3/4 HP X-13 Motor | | | | | |
| (+) Metering device, Piston, TXV (++) Refrigerant Connection, 0P, 2P, 3P, 4P or 6P xxx Designates Kilowatts, 015 = 15kW CFM Shown with Dry Coil and Filter in place, Wet Coil Correction 4-6% | | | | | | |
| $CFM = (kW \times 3412) \times (\text{Voltage Correction Less Than } 240V) \times 1.08 / TR$ Example: $CFM = (15kW \times 3412) \times .96 \times 1.08 / 56 TR$ $51180 \times .96 \times 1.08 / 56 = 948 CFM$ Voltage Correction < 240V .96 = 230 Volts .92 = 220 Volts .87 = 208 Volts | | | | | | |
| Coil Face Velocity Formula & Maximum Allowances when using the X-13 Motor | | | | | | |
| Coil Series | CFM | Face Area | Nominal FPM | Coil Models (See Note Below) | Max FPM | Note |
| 96-Series | 750 | 3.11 | 242 | 96-8(Z,5,G,8,W)2(+)(++)P | 300 | WARNING Exceeding these nominal and / or maximum allowances may cause water blow off from the coil, which; may damage furnace, void furnace warranty and limit liability from those damages |
| | 925 | 3.32 | 279 | 96-(R,M)2,3,4)4(+)(++)P | 300 | |
| | 1120 | 3.56 | 315 | 96-8(Z,2,3,4,5,G,8,W)(3,5)(+)(++)P | 320 | |
| 97-Series | 1300 | 4.06 | 321 | 96-(R,M)Z,2,3,4,5,G,8,W)(4,6)(+)(++)P | 325 | |
| | 1380 | 4.44 | 311 | 97-(R,M)Z,2,3,4,5,G,8,W)(5,7)(+)(++)P | 325 | |
| | 1440 | 5.33 | 270 | 98-(R,M)Z,2,3,4,5,G,8,W)(7,10)(+)(++)P | 330 | |
| | 1520 | 5.78 | 263 | 98-(R,M)Z,2,3,4,5,G,8,W)(8,11)(+)(++)P | 330 | |
| 98-Series | 1520 | 6.22 | 245 | 98-(R,M)Z,2,3,4,5,G,8,W)(9,12)(+)(++)P | 330 | |
| | 1680 | 6.67 | 252 | 98-(R,M)Z,2,3,4,5,G,8,W)(10,13)(+)(++)P | 330 | |
| | 1680 | 7.11 | 237 | 98-(R,M)Z,2,3,4,5,G,8,W)(11,14)(+)(++)P | 330 | |
| | 1680 | 7.56 | 223 | 98-(R,M)Z,2,3,4,5,G,8,W)(12,15)(+)(++)P | 330 | |
| Air Velocity Formula: $CFM / \text{Coil Face Area} = \text{Air FPM}$. Example of Coil Complete Model # 98-8G13Y-0P. | | | | | | |
| Note: When setting up the speed tap on the WEFX furnaces with the X-13 motor the coil face area must be taken into account so as not to exceed 330 Feet Per Minute of air across the coil. Anything higher will blow water off the coil and will be the responsibility of the installing contractor. | | | | | | |

Table 12: Factory Recommended Blower Motor Speed Tap Settings

| | | EXTERNAL STATIC PRESSURE (ESP) INCHES WC DUCT | | | | | | | | | | |
|--|--------|---|------|------|------|------|------|------|-----|-----|-----|---|
| | | SPD TAP | 0.1 | 0.2 | 0.3 | 0.4 | 0.5 | 0.6 | 0.7 | 0.8 | 0.9 | 1 |
| CFM-NO-COIL | LO | 1042 | 1036 | 1030 | 1024 | 1018 | 1006 | 911 | 708 | 542 | 386 | |
| | MEDIUM | 1210 | 1205 | 1199 | 1194 | 1189 | 1137 | 1036 | 769 | 601 | 427 | |
| | HI | 1550 | 1498 | 1427 | 1357 | 1273 | 1169 | 1048 | 924 | 704 | 526 | |
| CFM with Coil 98-8Z7W-OP with Cabinet 97-FLSB-27 or 97-FLSF-27 | LO | 982 | 976 | 970 | 964 | 951 | 898 | 721 | 609 | 511 | 357 | |
| | MEDIUM | 1196 | 1190 | 1180 | 1149 | 1100 | 1037 | 951 | 680 | 569 | 405 | |
| | HI | 1509 | 1440 | 1371 | 1285 | 1203 | 1133 | 880 | 792 | 684 | 482 | |
| CFM with Coil 98-8Z7W-OP with Cabinet 97-FSOB-27 | LO | 1011 | 1008 | 994 | 965 | 916 | 758 | 669 | 588 | 447 | | |
| | MEDIUM | 1215 | 1189 | 1153 | 1104 | 1040 | 973 | 739 | 639 | 511 | 377 | |
| | HI | 1455 | 1394 | 1326 | 1260 | 1184 | 1081 | 852 | 703 | 585 | 441 | |
| CFM-WITH-Coil 98-8G7W-OP with Cabinet 97-FLSB-27 or 97-FLSF-27 | LO | 955 | 952 | 949 | 946 | 928 | 890 | 724 | 648 | 532 | 364 | |
| | MEDIUM | 1175 | 1170 | 1164 | 1143 | 1100 | 1025 | 964 | 716 | 558 | 405 | |
| | HI | 1536 | 1463 | 1403 | 1328 | 1249 | 1155 | 1075 | 900 | 716 | 493 | |
| CFM with Coil 98-8G7W-OP with Cabinet 97-FSOB-27 | LO | 1010 | 1013 | 1001 | 975 | 930 | 874 | 688 | 587 | 463 | 363 | |
| | MEDIUM | 1205 | 1184 | 1153 | 1110 | 1048 | 975 | 751 | 640 | 496 | 367 | |
| | HI | 1553 | 1482 | 1407 | 1328 | 1244 | 1154 | 1039 | 747 | 608 | 438 | |
| CFM with Coil 96-8G4W-OP with Cabinet 97-FLSB-21 or 97-FLSF-21 | LO | 964 | 961 | 958 | 952 | 928 | 881 | 708 | 609 | 470 | 355 | |
| | MEDIUM | 1195 | 1185 | 1154 | 1122 | 1072 | 1013 | 820 | 680 | 556 | 405 | |
| | HI | 1535 | 1479 | 1407 | 1331 | 1250 | 1180 | 1094 | 812 | 658 | 487 | |
| CFM with Coil 96-8G4W-OP with Cabinet 97-FSOB-21 | LO | 1005 | 999 | 979 | 943 | 881 | 758 | 641 | 561 | | | |
| | MEDIUM | 1197 | 1163 | 1113 | 1060 | 999 | 916 | 708 | 633 | 490 | 367 | |
| | HI | 1418 | 1352 | 1292 | 1213 | 1119 | 1062 | 946 | 698 | 549 | 409 | |

Table 13: Blower Performance – 10 X 9 Morrison Wheel – 1/3 HP 3 SPD PSC Motor with Air Filters

| | | EXTERNAL STATIC PRESSURE (ESP) INCHES WC DUCT | | | | | | | | | |
|--|--------|---|------|------|------|------|------|------|------|-----|-----|
| SPD TAP | | 0.1 | 0.2 | 0.3 | 0.4 | 0.5 | 0.6 | 0.7 | 0.8 | 0.9 | 1 |
| CFM-NO-COIL - OPEN TOP, SOLID DOOR | LO | 935 | 763 | 680 | 560 | 498 | 437 | 347 | | | |
| | MED-LO | 968 | 881 | 810 | 756 | 680 | 566 | 531 | 446 | 382 | |
| | MEDIUM | 1074 | 1022 | 953 | 904 | 842 | 789 | 663 | 623 | 565 | 475 |
| | MED-HI | 1192 | 1131 | 1079 | 1042 | 971 | 914 | 862 | 748 | 697 | 519 |
| | HI | 1429 | 1372 | 1327 | 1285 | 1227 | 1176 | 1128 | 1072 | 941 | 602 |
| CFM-NO-COIL - SOLID TOP, LOUVERED DOOR | LO | 813 | 742 | 655 | 596 | 490 | 436 | 349 | | | |
| | MED-LO | 913 | 864 | 806 | 742 | 673 | 593 | 521 | 438 | 379 | |
| | MEDIUM | 1050 | 990 | 939 | 885 | 843 | 813 | 726 | 642 | 568 | 471 |
| | MED-HI | 1150 | 1096 | 1082 | 1002 | 958 | 913 | 857 | 806 | 737 | 533 |
| | HI | 1360 | 1314 | 1267 | 1227 | 1182 | 1134 | 1096 | 1002 | 885 | 564 |
| CFM with Coil 98-827W-OP with Cabinet 97-FLSB-27 or 97-FLSF-27 | LO | 745 | 689 | 595 | 513 | 453 | 393 | 323 | | | |
| | MED-LO | 859 | 800 | 745 | 641 | 581 | 527 | 458 | 401 | 384 | |
| | MEDIUM | 978 | 926 | 872 | 832 | 721 | 655 | 600 | 563 | 514 | 420 |
| | MED-HI | 1066 | 1023 | 965 | 923 | 875 | 793 | 709 | 655 | 596 | 439 |
| | HI | 1276 | 1237 | 1197 | 1150 | 1117 | 1061 | 977 | 798 | 668 | 500 |
| CFM with Coil 98-827W-OP with Cabinet 97-FSOB-27 | LO | 721 | 655 | 556 | 490 | 462 | 382 | 321 | | | |
| | MED-LO | 832 | 775 | 717 | 623 | 556 | 528 | 470 | 404 | 352 | |
| | MEDIUM | 939 | 898 | 845 | 793 | 701 | 633 | 623 | 559 | 502 | 413 |
| | MED-HI | 1037 | 994 | 956 | 901 | 832 | 752 | 697 | 655 | 554 | 453 |
| | HI | 1231 | 1178 | 1146 | 1101 | 1058 | 1003 | 832 | 741 | 615 | 466 |
| CFM-WITH-Coil 98-8G7W-OP with 97-FLSB-27 or 97-FLSF-27 | LO | 764 | 689 | 586 | 507 | 460 | 399 | 332 | | | |
| | MED-LO | 855 | 807 | 733 | 632 | 571 | 521 | 478 | 416 | 367 | |
| | MEDIUM | 990 | 923 | 878 | 825 | 741 | 672 | 628 | 574 | 520 | 440 |
| | MED-HI | 1085 | 1031 | 988 | 929 | 878 | 789 | 725 | 663 | 603 | 474 |
| | HI | 1291 | 1247 | 1202 | 1160 | 1117 | 1073 | 1020 | 821 | 665 | 524 |
| CFM with Coil 98-8G7W-OP with Cabinet 97-FSOB-27 | LO | 721 | 655 | 566 | 507 | 451 | 374 | 315 | | | |
| | MED-LO | 828 | 756 | 705 | 623 | 561 | 529 | 462 | 404 | 359 | |
| | MEDIUM | 948 | 898 | 845 | 778 | 705 | 641 | 595 | 553 | 502 | 406 |
| | MED-HI | 1048 | 1003 | 965 | 907 | 851 | 771 | 701 | 637 | 562 | 431 |
| | HI | 1252 | 1227 | 1166 | 1139 | 1090 | 1026 | 871 | 709 | 618 | 466 |
| CFM with Coil 96-8G4W-OP with Cabinet 97-FLSB-21 or 97-FLSF-21 | LO | 731 | 634 | 577 | 473 | 368 | 394 | 290 | | | |
| | MED-LO | 827 | 754 | 703 | 629 | 530 | 520 | 457 | 383 | 312 | |
| | MEDIUM | 937 | 870 | 812 | 769 | 698 | 620 | 590 | 540 | 474 | 403 |
| | MED-HI | 1030 | 967 | 919 | 877 | 816 | 784 | 673 | 615 | 591 | 472 |
| | HI | 1230 | 1194 | 1136 | 1086 | 1046 | 998 | 947 | 784 | 634 | 500 |
| CFM with Coil 96-8G4W-OP with Cabinet 97-FSOB-21 | LO | 731 | 678 | 587 | 503 | 458 | 398 | 333 | | | |
| | MED-LO | 848 | 792 | 739 | 630 | 562 | 527 | 483 | 419 | 387 | |
| | MEDIUM | 956 | 913 | 868 | 820 | 719 | 657 | 597 | 572 | 524 | 447 |
| | MED-HI | 1051 | 1012 | 962 | 923 | 875 | 766 | 711 | 661 | 603 | 458 |
| | HI | 1251 | 1216 | 1169 | 1132 | 1093 | 1053 | 986 | 770 | 643 | 510 |

Table 14: Blower Performance – 10 X 9 Morrison Wheel – 1/3 HP 5 SPD X-13 Motor with Air Filters

| | | EXTERNAL STATIC PRESSURE (ESP) INCHES WC DUCT | | | | | | | | | | |
|---|--------|---|------|------|------|------|------|------|------|------|-----|---|
| | | SPD TAP | 0.1 | 0.2 | 0.3 | 0.4 | 0.5 | 0.6 | 0.7 | 0.8 | 0.9 | 1 |
| CFM-NO-COIL | LO | 984 | 922 | 851 | 799 | 740 | 604 | 578 | 497 | 423 | 365 | |
| | MED-LO | 1149 | 1096 | 1051 | 995 | 933 | 870 | 795 | 891 | 658 | 604 | |
| | MEDIUM | 1397 | 1344 | 1293 | 1250 | 1200 | 1148 | 1105 | 1048 | 982 | 699 | |
| | MED-HI | 1630 | 1584 | 1533 | 1493 | 1443 | 1392 | 1352 | 1258 | 1136 | 702 | |
| | HI | 1736 | 1712 | 1661 | 1612 | 1570 | 1515 | 1432 | 1321 | 1184 | 704 | |
| CFM with Coil 98-8G7W-OP with Cabinet 97-FLSB-27 OR 97-FLSF-27 | LO | 875 | 818 | 764 | 718 | 611 | 558 | 507 | 455 | 419 | 372 | |
| | MED-LO | 1027 | 996 | 952 | 897 | 858 | 752 | 688 | 634 | 615 | 497 | |
| | MEDIUM | 1241 | 1212 | 1176 | 1129 | 1090 | 1051 | 997 | 867 | 713 | 545 | |
| | MED-HI | 1440 | 1411 | 1371 | 1328 | 1285 | 1232 | 1155 | 1062 | 734 | 593 | |
| | HI | 1546 | 1506 | 1474 | 1415 | 1349 | 1270 | 1186 | 1079 | 702 | 603 | |
| CFM with Coil 98-8G7W-OP with Cabinet 97-FSOB-27 | LO | 845 | 811 | 753 | 682 | 611 | 563 | 522 | 467 | 407 | 364 | |
| | MED-LO | 1032 | 990 | 949 | 897 | 838 | 800 | 730 | 677 | 607 | 477 | |
| | MEDIUM | 1238 | 1191 | 1155 | 1107 | 1068 | 1033 | 991 | 809 | 660 | 492 | |
| | MED-HI | 1419 | 1380 | 1340 | 1294 | 1217 | 1145 | 1068 | 839 | 665 | 486 | |
| | HI | 1506 | 1445 | 1389 | 1313 | 1241 | 1166 | 1079 | 824 | 646 | 483 | |
| CFM with Coil 98-8W7W-OP with Cabinet 97-FLSB-27 or 97-FLSF-27 | LO | 884 | 817 | 771 | 722 | 616 | 568 | 536 | 472 | 417 | 380 | |
| | MED-LO | 1040 | 984 | 955 | 893 | 864 | 756 | 698 | 656 | 630 | 494 | |
| | MEDIUM | 1251 | 1216 | 1170 | 1134 | 1079 | 1045 | 1009 | 860 | 685 | 570 | |
| | MED-HI | 1450 | 1410 | 1380 | 1335 | 1303 | 1221 | 1139 | 1056 | 737 | 580 | |
| | HI | 1549 | 1506 | 1457 | 1410 | 1335 | 1246 | 1165 | 1056 | 741 | 648 | |
| CFM with Coil 98-8W7W-OP with Cabinet 97-FSOB-27 | LO | 878 | 811 | 771 | 714 | 625 | 558 | 536 | 478 | 417 | 377 | |
| | MED-LO | 1035 | 981 | 943 | 891 | 852 | 797 | 702 | 652 | 609 | 474 | |
| | MEDIUM | 1223 | 1190 | 1151 | 1111 | 1072 | 1018 | 940 | 842 | 647 | 523 | |
| | MED-HI | 1422 | 1378 | 1325 | 1262 | 1159 | 1062 | 983 | 868 | 665 | 523 | |
| | HI | 1478 | 1416 | 1338 | 1277 | 1174 | 1095 | 992 | 845 | 657 | 513 | |
| CFM with Coil 98-8W12W-OP with Cabinet 97-FLSB-39 or 97-FLSF-39 | LO | 897 | 842 | 796 | 733 | 619 | 566 | 522 | 470 | 408 | 361 | |
| | MED-LO | 1054 | 1013 | 961 | 925 | 874 | 798 | 680 | 623 | 572 | 533 | |
| | MEDIUM | 1281 | 1237 | 1202 | 1154 | 1111 | 1071 | 1012 | 902 | 723 | 613 | |
| | MED-HI | 1478 | 1453 | 1414 | 1374 | 1333 | 1271 | 1191 | 1094 | 752 | 596 | |
| | HI | 1581 | 1522 | 1477 | 1421 | 1350 | 1270 | 1180 | 1070 | 777 | 657 | |
| CFM with Coil 98-8W12W-OP with Cabinet 97-FSOB-39 | LO | 885 | 825 | 763 | 704 | 612 | 553 | 522 | 459 | 392 | 357 | |
| | MED-LO | 1043 | 986 | 941 | 891 | 858 | 735 | 687 | 630 | 573 | 504 | |
| | MEDIUM | 1240 | 1178 | 1139 | 1100 | 1076 | 1013 | 945 | 800 | 679 | 520 | |
| | MED-HI | 1456 | 1404 | 1359 | 1322 | 1256 | 1190 | 1087 | 845 | 712 | 535 | |
| | HI | 1550 | 1485 | 1426 | 1355 | 1294 | 1221 | 1104 | 874 | 735 | 534 | |

Table 15-1: Blower Performance -10 X 9 Morrison Wheel - 1/2 HP 5 SPD X-13 Motor with Air Filters

| | | EXTERNAL STATIC PRESSURE (ESP) INCHES WC DUCT | | | | | | | | | | |
|---------------|--------|---|------|------|------|------|------|------|------|-----|-----|---|
| | | SPD TAP | 0.1 | 0.2 | 0.3 | 0.4 | 0.5 | 0.6 | 0.7 | 0.8 | 0.9 | 1 |
| CFM with Coil | LO | 884 | 824 | 774 | 692 | 595 | 560 | 507 | 460 | 391 | 360 | |
| 98-8G12W-OP | MED-LO | 1035 | 992 | 954 | 893 | 844 | 783 | 692 | 640 | 545 | 474 | |
| with Cabinet | MEDIUM | 1250 | 1211 | 1170 | 1127 | 1083 | 1037 | 982 | 834 | 675 | 520 | |
| 97-FLSB-39 | MED-HI | 1449 | 1415 | 1376 | 1345 | 1289 | 1218 | 1127 | 884 | 708 | 535 | |
| or 97-FLSF-39 | HI | 1547 | 1511 | 1462 | 1402 | 1326 | 1245 | 1159 | 976 | 724 | 531 | |
| CFM with Coil | LO | 862 | 817 | 752 | 672 | 619 | 560 | 525 | 458 | 395 | 381 | |
| 98-8G12W-OP | MED-LO | 1013 | 967 | 925 | 887 | 824 | 744 | 692 | 636 | 563 | 435 | |
| with Cabinet | MEDIUM | 1209 | 1173 | 1125 | 1098 | 1050 | 1000 | 865 | 748 | 578 | 484 | |
| 97-FSOB-39 | MED-HI | 1415 | 1376 | 1321 | 1255 | 1175 | 1099 | 924 | 767 | 609 | 479 | |
| | HI | 1478 | 1428 | 1362 | 1279 | 1195 | 1110 | 915 | 755 | 600 | 484 | |
| CFM with Coil | LO | 899 | 837 | 784 | 724 | 609 | 570 | 519 | 455 | 388 | 360 | |
| 98-8Z12W-OP | MED-LO | 1040 | 1004 | 964 | 909 | 851 | 751 | 700 | 640 | 616 | 493 | |
| with Cabinet | MEDIUM | 1258 | 1235 | 1185 | 1143 | 1099 | 1060 | 1000 | 848 | 704 | 533 | |
| 97-FLSB-39 | MED-HI | 1484 | 1441 | 1393 | 1353 | 1316 | 1245 | 1137 | 1012 | 679 | 551 | |
| or 97-FLSF-39 | HI | 1570 | 1531 | 1488 | 1415 | 1344 | 1279 | 1170 | 1070 | 736 | 562 | |
| CFM with Coil | LO | 851 | 813 | 759 | 708 | 618 | 555 | 523 | 458 | 394 | 362 | |
| 98-8Z12W-OP | MED-LO | 1021 | 982 | 934 | 884 | 837 | 740 | 684 | 636 | 573 | 452 | |
| with Cabinet | MEDIUM | 1210 | 1170 | 1138 | 1092 | 1052 | 999 | 922 | 751 | 613 | 469 | |
| 97-FSOB-39 | MED-HI | 1419 | 1385 | 1344 | 1279 | 1210 | 1083 | 1010 | 774 | 621 | 480 | |
| | HI | 1503 | 1458 | 1393 | 1312 | 1230 | 1103 | 1019 | 785 | 629 | 486 | |
| CFM with Coil | LO | 856 | 795 | 740 | 680 | 572 | 536 | 502 | 450 | 398 | 358 | |
| 96-8W4W-OP | MED-LO | 1002 | 965 | 920 | 866 | 819 | 712 | 650 | 619 | 630 | 502 | |
| with Cabinet | MEDIUM | 1204 | 1163 | 1128 | 1093 | 1048 | 1007 | 952 | 785 | 667 | 581 | |
| 97-FLSB-21 | MED-HI | 1383 | 1364 | 1332 | 1291 | 1248 | 1184 | 1099 | 837 | 696 | 528 | |
| or 97-FLSF-21 | HI | 1468 | 1458 | 1424 | 1368 | 1300 | 1219 | 1126 | 1019 | 700 | 536 | |
| CFM with Coil | LO | 816 | 775 | 708 | 672 | 557 | 557 | 507 | 444 | 398 | 357 | |
| 96-8W4W-OP | MED-LO | 988 | 926 | 876 | 836 | 791 | 692 | 633 | 630 | 596 | 423 | |
| with Cabinet | MEDIUM | 1163 | 1114 | 1087 | 1038 | 1002 | 959 | 895 | 680 | 653 | 477 | |
| 97 FSOB-21 | MED-HI | 1355 | 1323 | 1281 | 1224 | 1147 | 1081 | 977 | 736 | 653 | 483 | |
| | HI | 1433 | 1381 | 1314 | 1243 | 1166 | 1082 | 989 | 740 | 656 | 493 | |

Table 15-2: Blower Performance -10 X 9 Morrison Wheel - 1/2 HP 5 SPD X-13 Motor with Air Filters

| | | EXTERNAL STATIC PRESSURE (ESP) INCHES WC DUCT | | | | | | | | | |
|---|--------|---|------|------|------|------|------|------|------|------|------|
| SPD TAP | | 0.1 | 0.2 | 0.3 | 0.4 | 0.5 | 0.6 | 0.7 | 0.8 | 0.9 | 1 |
| CFM-NO-COIL | LO | 1225 | 1174 | 1121 | 1077 | 1036 | 976 | 924 | 877 | 740 | 629 |
| | MED-LO | 1429 | 1386 | 1345 | 1308 | 1245 | 1220 | 1158 | 1115 | 1070 | 608 |
| | MEDIUM | 1569 | 1529 | 1476 | 1438 | 1403 | 1368 | 1313 | 1260 | 1109 | 707 |
| | MED-HI | 1785 | 1740 | 1711 | 1664 | 1619 | 1592 | 1488 | 1359 | 1137 | 967 |
| | HI | 2129 | 2057 | 2017 | 1959 | 1838 | 1733 | 1603 | 1432 | 1225 | 1183 |
| CFM with Coil 98-8W7W-OP and Cabinet 97-FLSB-27 or 97-FLSF-27 | LO | 1104 | 1059 | 1012 | 975 | 930 | 876 | 780 | 719 | 662 | 581 |
| | MED-LO | 1292 | 1244 | 1214 | 1184 | 1136 | 1098 | 1053 | 981 | 773 | 584 |
| | MEDIUM | 1400 | 1365 | 1334 | 1301 | 1263 | 1219 | 1168 | 1070 | 780 | 592 |
| | MED-HI | 1596 | 1569 | 1521 | 1468 | 1392 | 1301 | 1204 | 1087 | 811 | 604 |
| | HI | 1743 | 1659 | 1615 | 1505 | 1425 | 1341 | 1236 | 1106 | 809 | 582 |
| CFM with Coil 98-8W7W-OP with Cabinet 97-FSOB-27 | LO | 1067 | 1017 | 978 | 942 | 889 | 805 | 758 | 703 | 661 | 518 |
| | MED-LO | 1268 | 1229 | 1199 | 1158 | 1109 | 1075 | 1012 | 826 | 675 | 536 |
| | MEDIUM | 1374 | 1343 | 1311 | 1278 | 1224 | 1163 | 1053 | 812 | 708 | 524 |
| | MED-HI | 1549 | 1481 | 1409 | 1338 | 1258 | 1189 | 1087 | 848 | 669 | 481 |
| | HI | 1611 | 1529 | 1460 | 1383 | 1297 | 1199 | 1115 | 889 | 708 | 578 |
| CFM with Coil 98-8W12W-OP with Cabinet 97-FLSB-39 or 97-FLSF-39 | LO | 1104 | 1085 | 1025 | 979 | 936 | 882 | 786 | 719 | 682 | 580 |
| | MED-LO | 1309 | 1266 | 1232 | 1197 | 1156 | 1119 | 1074 | 1010 | 790 | 606 |
| | MEDIUM | 1429 | 1390 | 1350 | 1323 | 1281 | 1234 | 1203 | 1124 | 801 | 629 |
| | MED-HI | 1607 | 1573 | 1539 | 1497 | 1430 | 1332 | 1256 | 1152 | 815 | 637 |
| | HI | 1751 | 1663 | 1607 | 1533 | 1455 | 1372 | 1270 | 1160 | 811 | 619 |
| CFM with Coil 98-8W12W-OP with Cabinet 97-FSOB-39 | LO | 1104 | 1059 | 1023 | 974 | 935 | 902 | 841 | 723 | 676 | 563 |
| | MED-LO | 1285 | 1246 | 1211 | 1175 | 1126 | 1104 | 1065 | 874 | 711 | 561 |
| | MEDIUM | 1404 | 1350 | 1327 | 1294 | 1251 | 1211 | 1145 | 1005 | 718 | 535 |
| | MED-HI | 1601 | 1538 | 1468 | 1400 | 1327 | 1241 | 1148 | 888 | 719 | 541 |
| | HI | 1725 | 1613 | 1530 | 1442 | 1360 | 1283 | 1190 | 1088 | 739 | 576 |
| CFM with Coil 98-8G12W-OP with Cabinet 97-FLSB-39 or 97-FLSF-39 | LO | 1111 | 1072 | 1019 | 976 | 931 | 877 | 781 | 712 | 680 | 548 |
| | MED-LO | 1289 | 1255 | 1226 | 1185 | 1143 | 1105 | 1066 | 938 | 732 | 556 |
| | MEDIUM | 1415 | 1367 | 1345 | 1308 | 1270 | 1226 | 1170 | 1072 | 751 | 573 |
| | MED-HI | 1594 | 1571 | 1519 | 1449 | 1380 | 1294 | 1205 | 1043 | 736 | 551 |
| | HI | 1716 | 1643 | 1563 | 1511 | 1411 | 1317 | 1228 | 1088 | 748 | 596 |
| CFM with Coil 98-8G12W-OP with Cabinet 97-FSOB-39 | LO | 1084 | 1038 | 996 | 952 | 899 | 813 | 748 | 705 | 823 | 494 |
| | MED-LO | 1262 | 1227 | 1187 | 1150 | 1112 | 1067 | 1014 | 775 | 621 | 488 |
| | MEDIUM | 1373 | 1341 | 1314 | 1265 | 1207 | 1134 | 1032 | 807 | 638 | 489 |
| | MED-HI | 1513 | 1455 | 1373 | 1309 | 1247 | 1150 | 1067 | 793 | 672 | 509 |
| | HI | 1557 | 1484 | 1417 | 1337 | 1271 | 1172 | 1055 | 835 | 885 | 533 |
| CFM with Coil 98-8Z12W-OP with Cabinet 97-FLSB-39 or 97-FLSF-39 | LO | 1106 | 1072 | 1026 | 969 | 938 | 878 | 774 | 721 | 676 | 532 |
| | MED-LO | 1299 | 1266 | 1222 | 1186 | 1139 | 1100 | 1057 | 938 | 752 | 539 |
| | MEDIUM | 1416 | 1377 | 1341 | 1309 | 1271 | 1241 | 1181 | 1067 | 740 | 539 |
| | MED-HI | 1603 | 1588 | 1540 | 1476 | 1390 | 1336 | 1232 | 1095 | 748 | 545 |
| | HI | 1741 | 1667 | 1607 | 1532 | 1435 | 1350 | 1253 | 1148 | 1165 | 558 |
| CFM with Coil 98-8Z12W-OP with Cabinet 97-FSOB-39 | LO | 1088 | 1019 | 1007 | 967 | 924 | 870 | 824 | 716 | 621 | 507 |
| | MED-LO | 1270 | 1240 | 1200 | 1143 | 1110 | 1077 | 990 | 747 | 612 | 496 |
| | MEDIUM | 1371 | 1340 | 1303 | 1265 | 1210 | 1138 | 1019 | 796 | 627 | 506 |
| | MED-HI | 1555 | 1487 | 1424 | 1331 | 1270 | 1148 | 1037 | 792 | 675 | 494 |
| | HI | 1613 | 1543 | 1445 | 1385 | 1279 | 1200 | 1083 | 924 | 700 | 507 |

Table 16: Blower Performance -10 X 9 Morrison Wheel - 3/4 HP 5 SPD X-13 Motor with Air Filters

| | | EXTERNAL STATIC PRESSURE (ESP) INCHES WC DUCT | | | | | | | | | | |
|--|--------|---|------|------|------|------|------|------|------|------|-----|---|
| | | SPD TAP | 0.1 | 0.2 | 0.3 | 0.4 | 0.5 | 0.6 | 0.7 | 0.8 | 0.9 | 1 |
| CFM-NO-COIL | LO | 982 | 979 | 976 | 962 | 932 | 894 | 835 | 711 | 598 | 502 | |
| | MEDIUM | 1417 | 1404 | 1369 | 1333 | 1291 | 1242 | 1177 | 1085 | 959 | 579 | |
| | HI | 1771 | 1704 | 1624 | 1544 | 1448 | 1372 | 1270 | 1167 | 1037 | 738 | |
| CFM with Coil 98-8G7W-OP with Cabinet | LO | 944 | 931 | 918 | 904 | 863 | 834 | 692 | 590 | 525 | 438 | |
| | MEDIUM | 1317 | 1293 | 1255 | 1210 | 1169 | 1099 | 1013 | 918 | 656 | 579 | |
| | HI | 1620 | 1563 | 1499 | 1432 | 1362 | 1293 | 1195 | 1066 | 812 | 608 | |
| 97-FLSB-27 OR 97-FLSF-27 | | | | | | | | | | | | |
| CFM with Coil 98-8G7W-OP with Cabinet | LO | 935 | 926 | 901 | 862 | 818 | 717 | 650 | 603 | 513 | 395 | |
| | MEDIUM | 1307 | 1260 | 1205 | 1143 | 1088 | 1013 | 923 | 737 | 642 | 563 | |
| | HI | 1519 | 1445 | 1362 | 1298 | 1225 | 1138 | 1054 | 950 | 732 | 594 | |
| 97-FSOB-27 | | | | | | | | | | | | |
| CFM with Coil 98-8W7W-OP with Cabinet | LO | 957 | 951 | 942 | 911 | 866 | 822 | 699 | 635 | 446 | 383 | |
| | MEDIUM | 1345 | 1308 | 1266 | 1207 | 1155 | 1085 | 998 | 902 | 699 | 546 | |
| | HI | 1600 | 1542 | 1478 | 1415 | 1336 | 1242 | 1134 | 1028 | 908 | 694 | |
| 97-FLSB-27 or 97-FLSF-27 | | | | | | | | | | | | |
| CFM with Coil 98-8W7W-OP with Cabinet | LO | 956 | 925 | 891 | 852 | 800 | 697 | 641 | 608 | 521 | 393 | |
| | MEDIUM | 1271 | 1222 | 1166 | 1117 | 1055 | 983 | 796 | 721 | 634 | 565 | |
| | HI | 1438 | 1369 | 1304 | 1232 | 1166 | 1090 | 1008 | 811 | 705 | 615 | |
| 97-FSOB-27 | | | | | | | | | | | | |
| CFM with Coil 98-8W12W-OP with Cabinet | LO | 932 | 919 | 913 | 893 | 860 | 808 | 752 | 674 | 555 | 450 | |
| | MEDIUM | 1336 | 1303 | 1279 | 1234 | 1172 | 1111 | 1030 | 948 | 793 | 678 | |
| | HI | 1683 | 1615 | 1552 | 1465 | 1386 | 1303 | 1208 | 1100 | 987 | 771 | |
| 97-FLSB-39 or 97-FLSF-39 | | | | | | | | | | | | |
| CFM with Coil 98-8W12W-OP with Cabinet | LO | 961 | 934 | 902 | 863 | 811 | 752 | 675 | 596 | 505 | 379 | |
| | MEDIUM | 1302 | 1243 | 1197 | 1134 | 1061 | 988 | 910 | 764 | 632 | 488 | |
| | HI | 1488 | 1415 | 1339 | 1268 | 1182 | 1101 | 1013 | 910 | 709 | 543 | |
| 97-FSOB-39 | | | | | | | | | | | | |
| CFM with Coil 98-8G12W-OP with Cabinet | LO | 955 | 940 | 922 | 884 | 838 | 786 | 714 | 593 | 510 | 396 | |
| | MEDIUM | 1331 | 1289 | 1236 | 1181 | 1118 | 1055 | 960 | 874 | 690 | 511 | |
| | HI | 1607 | 1538 | 1461 | 1362 | 1284 | 1191 | 1096 | 1003 | 861 | 706 | |
| 97-FLSB-39 or 97-FLSF-39 | | | | | | | | | | | | |
| CFM with Coil 98-8G12W-OP with Cabinet | LO | 950 | 925 | 891 | 845 | 797 | 745 | 669 | 556 | 485 | 374 | |
| | MEDIUM | 1272 | 1207 | 1151 | 1096 | 1022 | 948 | 875 | 768 | 589 | 511 | |
| | HI | 1411 | 1354 | 1285 | 1222 | 1140 | 1063 | 986 | 875 | 726 | 567 | |

Table 17-1: Blower Performance -10 X 9 Morrison Wheel - 1/2 HP 3 SPD PSC Motor (WITH AIR FILTERS)

| | | EXTERNAL STATIC PRESSURE (ESP) INCHES WC DUCT | | | | | | | | | |
|--------------------------|--------|---|------|------|------|------|------|------|------|-----|-----|
| SPD TAP | | 0.1 | 0.2 | 0.3 | 0.4 | 0.5 | 0.6 | 0.7 | 0.8 | 0.9 | 1 |
| CFM with Coil | LO | 959 | 953 | 947 | 916 | 870 | 815 | 732 | 643 | 547 | 451 |
| 98-8Z12W-OP | MEDIUM | 1367 | 1331 | 1283 | 1233 | 1155 | 1105 | 1017 | 921 | 763 | 585 |
| with Cabinet | HI | 1641 | 1579 | 1506 | 1425 | 1340 | 1238 | 1150 | 1053 | 934 | 736 |
| 97-FLSB-39 or 97-FLSF-39 | | | | | | | | | | | |
| CFM with Coil | LO | 957 | 939 | 904 | 862 | 810 | 755 | 653 | 585 | 502 | 384 |
| 98-8Z12W-OP | MEDIUM | 1281 | 1217 | 1170 | 1111 | 1048 | 975 | 902 | 704 | 637 | 553 |
| with Cabinet | HI | 1448 | 1387 | 1314 | 1242 | 1175 | 1094 | 1006 | 916 | 732 | 578 |
| 97-FSOB-39 | | | | | | | | | | | |
| CFM with Coil | LO | 946 | 940 | 913 | 890 | 850 | 807 | 701 | 613 | 555 | 445 |
| 96-8W4W-OP | MEDIUM | 1319 | 1279 | 1229 | 1192 | 1155 | 1080 | 991 | 897 | 711 | 552 |
| with Cabinet | HI | 1590 | 1534 | 1467 | 1396 | 1313 | 1223 | 1127 | 1028 | 904 | 731 |
| 97-FLSB-21 or 97-FLSF-21 | | | | | | | | | | | |
| CFM with Coil | LO | 942 | 920 | 885 | 835 | 789 | 708 | 630 | 573 | 494 | 364 |
| 96-8W4W-OP | MEDIUM | 1264 | 1203 | 1150 | 1090 | 1025 | 950 | 883 | 709 | 634 | 542 |
| with Cabinet | HI | 1428 | 1348 | 1283 | 1208 | 1129 | 1049 | 969 | 890 | 704 | 607 |
| 97 FSOB-21 | | | | | | | | | | | |

Table 17-2: Blower Performance -10 X 9 Morrison Wheel - 1/2 HP 3 SPD PSC Motor (WITH AIR FILTERS)

| | | EXTERNAL STATIC PRESSURE (ESP) INCHES WC DUCT | | | | | | | | | |
|--|--------|---|------|------|------|------|------|------|------|------|------|
| SPD TAP | | 0.1 | 0.2 | 0.3 | 0.4 | 0.5 | 0.6 | 0.7 | 0.8 | 0.9 | 1 |
| CFM-NO-COIL | LO | 1497 | 1464 | 1413 | 1355 | 1289 | 1226 | 1143 | 1059 | 929 | 678 |
| | MEDIUM | 1742 | 1689 | 1624 | 1531 | 1452 | 1362 | 1258 | 1152 | 1044 | 727 |
| | HI | 1858 | 1814 | 1721 | 1629 | 1543 | 1440 | 1335 | 1221 | 1120 | 1000 |
| CFM with Coil 98-8W7W-OP and Cabinet | LO | 1364 | 1336 | 1285 | 1236 | 1180 | 1121 | 1023 | 816 | 699 | 542 |
| | MEDIUM | 1631 | 1573 | 1510 | 1443 | 1373 | 1289 | 1195 | 1029 | 762 | 678 |
| | HI | 1773 | 1700 | 1635 | 1555 | 1471 | 1388 | 1293 | 1183 | 848 | 723 |
| FLSB-27 or 97-FLSF-27 | | | | | | | | | | | |
| CFM with Coil 98-8W7W-OP with Cabinet 97-FSOB-27 | LO | 1329 | 1291 | 1243 | 1193 | 1118 | 1051 | 965 | 726 | 605 | 453 |
| | MEDIUM | 1486 | 1427 | 1365 | 1306 | 1233 | 1151 | 1085 | 846 | 698 | 576 |
| | HI | 1562 | 1498 | 1444 | 1365 | 1301 | 1228 | 1135 | 1051 | 734 | 563 |
| CFM with Coil 98-8W12W-OP with Cabinet | LO | 1395 | 1363 | 1322 | 1279 | 1220 | 1157 | 1074 | 971 | 741 | 522 |
| | MEDIUM | 1677 | 1613 | 1551 | 1481 | 1408 | 1322 | 1245 | 1162 | 1002 | 689 |
| | HI | 1804 | 1737 | 1656 | 1583 | 1506 | 1418 | 1332 | 1217 | 1099 | 730 |
| FLSB-39 or 97-FLSF-39 | | | | | | | | | | | |
| CFM with Coil 98-8W12W-OP with Cabinet 97-FSOB-39 | LO | 1343 | 1293 | 1235 | 1174 | 1115 | 1042 | 969 | 862 | 622 | 474 |
| | MEDIUM | 1502 | 1440 | 1370 | 1302 | 1240 | 1153 | 1059 | 950 | 823 | 523 |
| | HI | 1599 | 1530 | 1457 | 1388 | 1314 | 1244 | 1355 | 1039 | 762 | 566 |
| CFM with Coil 98-8G12W-OP with Cabinet | LO | 1412 | 1372 | 1326 | 1278 | 1214 | 1145 | 1067 | 951 | 713 | 504 |
| | MEDIUM | 1643 | 1577 | 1505 | 1438 | 1358 | 1288 | 1203 | 1107 | 983 | 684 |
| | HI | 1747 | 1672 | 1605 | 1529 | 1443 | 1358 | 1275 | 1176 | 1056 | 688 |
| FLSB-39 or 97-FLSF-39 | | | | | | | | | | | |
| CFM with Coil 98-8G12W-OP with Cabinet 97-FSOB-39 | LO | 1352 | 1301 | 1248 | 1182 | 1118 | 1051 | 879 | 734 | 589 | 450 |
| | MEDIUM | 1504 | 1443 | 1385 | 1318 | 1240 | 1165 | 1068 | 808 | 706 | 544 |
| | HI | 1597 | 1528 | 1455 | 1385 | 1311 | 1233 | 1149 | 1051 | 760 | 556 |
| CFM with Coil 98-8Z12W-OP with Cabinet | LO | 1390 | 1368 | 1327 | 1284 | 1225 | 1162 | 1091 | 1002 | 722 | 575 |
| | MEDIUM | 1651 | 1594 | 1530 | 1460 | 1390 | 1312 | 1225 | 1124 | 1002 | 637 |
| | HI | 1789 | 1716 | 1640 | 1565 | 1488 | 1399 | 1318 | 1210 | 1076 | 772 |
| FLSB-39 or 97-FLSF-39 | | | | | | | | | | | |
| CFM with Coil 98-8Z12W-OP with Cabinet 97-FSOB-39 | LO | 1365 | 1324 | 1267 | 1208 | 1145 | 1068 | 984 | 706 | 620 | 483 |
| | MEDIUM | 1522 | 1465 | 1401 | 1324 | 1263 | 1188 | 1102 | 1003 | 698 | 538 |
| | HI | 1609 | 1534 | 1461 | 1404 | 1318 | 1248 | 1173 | 1068 | 764 | 668 |

Table 18: Blower Performance -10 X 9 Morrison Wheel - 3/4 HP 3 SPD PSC Motor (WITH AIR FILTERS)

| Description | Part Number |
|---|--------------------|
| DUCT CONN ASSY 2-4IN MULTI USE | 90-DCU0-01 |
| DUCT CONN ASSY 6-8IN MULTI USE | 90-DCU0-02 |
| DUCT CONN ASSY 8-12 IN MULTI U | 90-DCU0-03 |
| BMH TRANSITION SUB BASE | 90-DCU0-04 |
| WR 1F95-1291 MORTEX BRAND THERMOSTAT | 68AB0011 |
| WR 1F95-1291 HEAT CONTROLLER BRAND THERMOSTAT | 68AB0012 |
| WR 1F95-1291 WINCHESTER BRAND THERMOSTAT | 68AB0013 |
| WR OUTDOOR TEMPERATURE SENSOR | 68AB0014 |
| VITRONICS DIGITAL HEATING/COOLING/HP THERMOSTAT | 68AB0015 |
| 1/3 HP X-13 3 TON ACCESSORY BLOWER | 65BV0025 |
| 1/2 HP X-13 4 TON ACCESSORY BLOWER | 65BV0026 |
| 3/4 HP X-13 5 TON ACCESSORY BLOWER | 65BV0027 |
| 21" - 1200 CFM BROKE DOWN COOLING COIL CABINET | 97-FLSB-21 |
| 21" - 1600 CFM BROKE DOWN COOLING COIL CABINET | 97-FSOB-21 |
| 21"- 1800 CFM BROKE DOWN COOLING COIL CABINET | 97-FLOB-21 |
| 27" - 1600 CFM BROKE DOWN COOLING COIL CABINET | 97-FLSB-27 |
| 27" - 1600 CFM BROKE DOWN COOLING COIL CABINET | 97-FSOB-27 |
| 27"- 1800 CFM BROKE DOWN COOLING COIL CABINET | 97-FLOB-27 |
| 39" - 1800 CFM BROKE DOWN COOLING COIL CABINET | 97-FLSB-39 |
| 39" - 1800 CFM BROKE DOWN COOLING COIL CABINET | 97-FSOB-39 |
| 18" TALL RETURN AIR FILTER GRILLE | 97-FG-18 |
| 24" TALL RETURN AIR FILTER GRILLE | 97-FG-24 |

Table: 19: Accessory Parts

Subject to change without notice
 Copyright by Mortex Products Inc. 2009.

Supersedes: **61MH0011**