

DAYTON

SPECIFICATIONS

Dayton® Single Bowl Sink Models D, DJ, DD and DDJ Series

GENERAL

Sink is formed of #22 gauge, type 301 series, nickel-bearing stainless steel. Topmount.

DESIGN FEATURES

Bowl Depth: See chart on next page

Coved Corners:

D11719: 2-1/2" (64mm) vertical and 2-3/4" (70mm) horizontal radius

D11721, D12521, D(J)12522, DD(J)12522: 4" (102mm) vertical and 3-1/4" (83mm) horizontal radius.

Rim Height: 5/32" (4mm)

Faucet Deck: Raised (except D11719 and D11721).

Finish: Exposed surfaces are polished to a satin finish.

Underside: Undercoated on bottom of bowl.

OTHER

Drain Opening: 3-1/2" (89mm)

Installation Hardware: Included for 3/4" (19mm) countertop.

OPTIONAL ACCESSORIES

Bottom Grid: GBG1414SS (D11719), GBG1415SS (D11721),

GBG2115SS (D12521/D12522/DD12522)

Drain: LK35, D1125

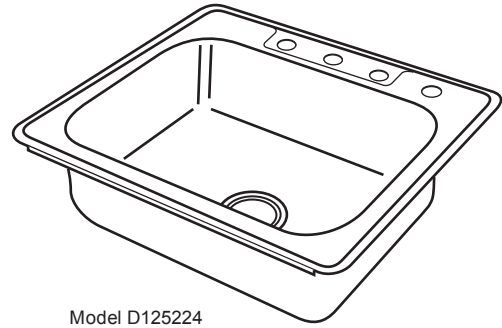


These sinks are compliant to ADA and ANSI/ICC A117.1 accessibility requirements when installed according to the requirements outlined in these standards.

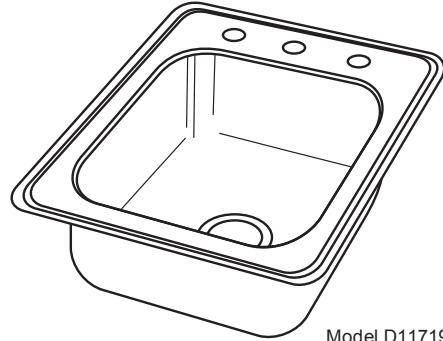
Sink complies with ASME A112.19.3/ CSA B45.4



Sinks are listed by IAPMO® as meeting the applicable requirements of the Uniform Plumbing Code®, International Plumbing Code®, and National Plumbing Code of Canada.

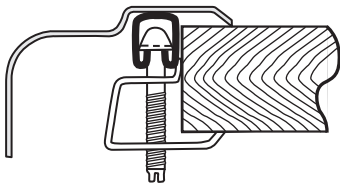


Model D125224

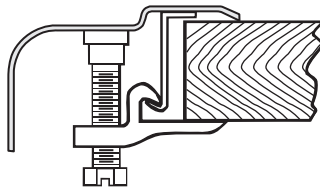


Model D117193

U-Channel Type Mounting System



J-Channel Type Mounting System



SEE NEXT PAGE FOR PRODUCT DIMENSIONS.

In keeping with our policy of continuing product improvement, Elkay reserves the right to change product specifications without notice. Please visit elkay.com for the most current version of Elkay product specification sheets.

This specification describes an Elkay product with design, quality, and functional benefits to the user. When making a comparison of others producers' offerings, be certain these features are not overlooked.

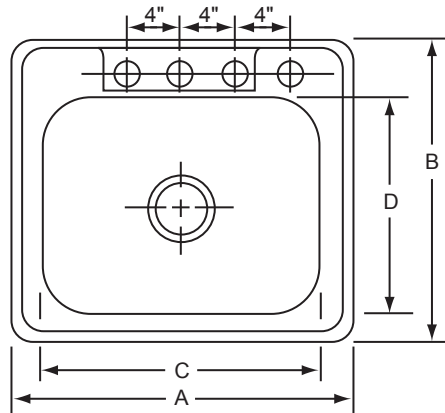
Dayton® Single Bowl Sink
Models D, DJ, DD and DDJ Series

DAYTON
SPECIFICATIONS

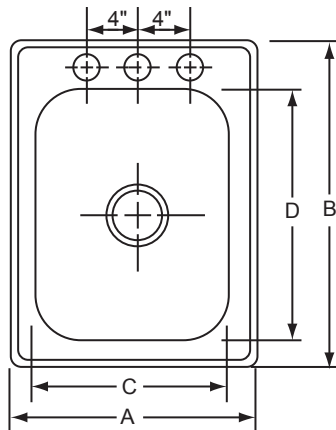
SINK DIMENSIONS (INCHES)*

U-Channel Model Number	J-Channel Model Number	Overall		Inside Bowl			Cutout in Countertop (1-1/2" (38mm) Radius Corners)		No. of 1 1/4" (32mm) or 1 1/2" (38mm) Dia. Faucet Holes 4" (102mm) centers	Minimum Cabinet Size
		L	W	L	W	D	L	W		
		A	B	C	D	E	L	W		
D11719	—	17 (432mm)	19 (483mm)	14 (356mm)	14 (356mm)	6 1/2 (156mm)	16 3/8 (416mm)	18 3/8 (467mm)	1, 2 or 3	21 (533mm)
D11721	—	17 (432mm)	21 1/4 (540mm)	14 (356mm)	15 3/4 (400mm)	6 1/2 (165mm)	16 3/8 (416mm)	20 3/8 (524mm)	1, 2 or 3	21 (533mm)
D12521 DW1012521 DW5012521	—	25 (635mm)	21 1/4 (540mm)	21 (533mm)	15 3/4 (400mm)	6 1/2 (165mm)	24 3/8 (619mm)	20 3/8 (524mm)	1, 2, MR2, 3, 4 or 5	30 (762mm)
D12522 DW1012522 DW5012522	DJ12522 DJW1012522 DJW5012522	25 (635mm)	22 (559mm)	21 (533mm)	15 3/4 (400mm)	6 9/16 (167mm)	24 3/8 (619mm)	21 3/8 (543mm)	1, 2, MR2, 3, 4 or 5	30 (762mm)
DD12522	DDJ12522	25 (635mm)	22 (559mm)	21 (533mm)	15 3/4 (400mm)	7 1/16 (181mm)	24 3/8 (619mm)	21 3/8 (543mm)	1, 2, MR2, 3, 4 or 5	30 (762mm)

* Length is left to right. Width is front to back.
 ** W10 = 10 pack & W50 = 50 pack.

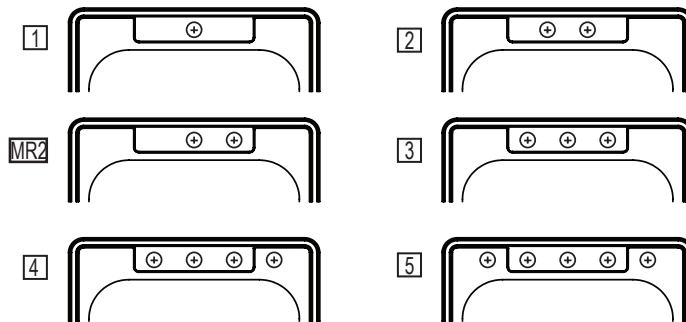


Bowl Depth is E
 Model D12544 Illustrated

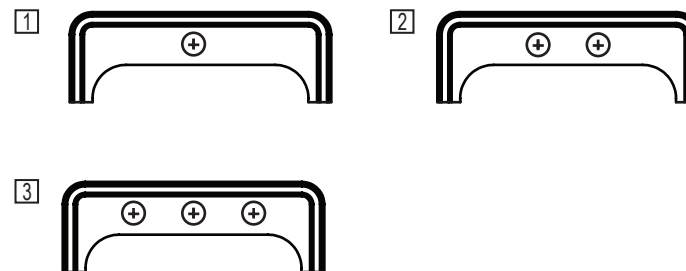


Bowl Depth is E
 Model D117193 Illustrated

Hole Drilling Configurations
 1-1/2" (38mm) Diameter Faucet Holes on 4" (102mm) Centers



Hole Drilling Configurations
 1-1/2" (38mm) Diameter Faucet Holes on 4" (102mm) Centers



In keeping with our policy of continuing product improvement, Elkay reserves the right to change product specifications without notice. Please visit elkay.com for the most current version of Elkay product specification sheets.

This specification describes an Elkay product with design, quality, and functional benefits to the user. When making a comparison of others producers' offerings, be certain these features are not overlooked.