

ELKAY[®]

SPECIFICATIONS

Traditional Gourmet
Double Bowl with Ribbed Area
18 Gauge – Type 304 – Self Rim
Model ILGR5422 Series

GENERAL

Highest quality sink bowls and integral ribbed area seamlessly drawn of #18 gauge, type 304 (18-8) nickel bearing stainless steel. Self-rimming.

DESIGN FEATURES

Bowl Depths: 10" (Large Bowl), 8" (Small Bowl).
Bowl and Faucet Deck Recessed: 3/16" below outside edge of sink.
Coved Corners: 1-3/4" radius.
Finish: Exposed surfaces are hand blended to a lustrous highlighted Lasting Beauty satin finish.
Underside: Fully protected by heavy duty Sound Guard™ under-coating to prevent condensation and deaden sound.

OTHER

Drain Opening: 3-1/2".

OPTIONAL ACCESSORIES

Rinsing Basket: LKRB1614.
Cutting Boards: CB(T)1613, CB(T)1713, CBR1418, CBS1418, CB1613 and CB1713.
Bottom Grid: LKOBG1814.

These sinks comply with ANSI Standard A112.19.3M.

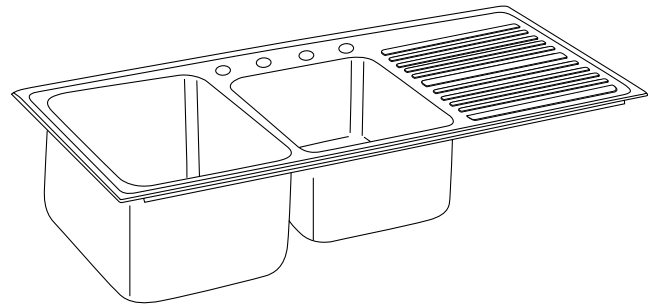


These sinks are listed by the International Association of Plumbing and Mechanical Officials as meeting the requirements of the Uniform Plumbing Code.

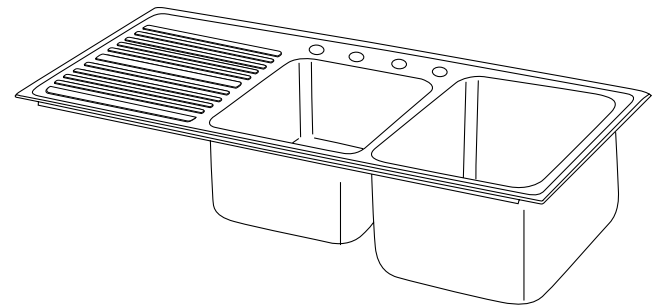
SINK DIMENSIONS (INCHES)*

Model Number	Overall		Inside Left Bowl			Inside Right Bowl			Ribbed Area Length	Cutout in Countertop (1 1/2" Radius Corners)		No. of 1 1/2" Dia. Faucet Holes 4" Center	Minimum Cabinet Size	Ship. Wt. Lbs.
	L	W	L	W	D	L	W	D		L	W			
ILGR5422L	54	22	14	18	10	16	16	8	19 7/8	53 3/8	21 3/8	3 or 4	57	40
ILGR5422R	54	22	16	16	8	14	18	10	19 7/8	53 3/8	21 3/8	3 or 4	57	40

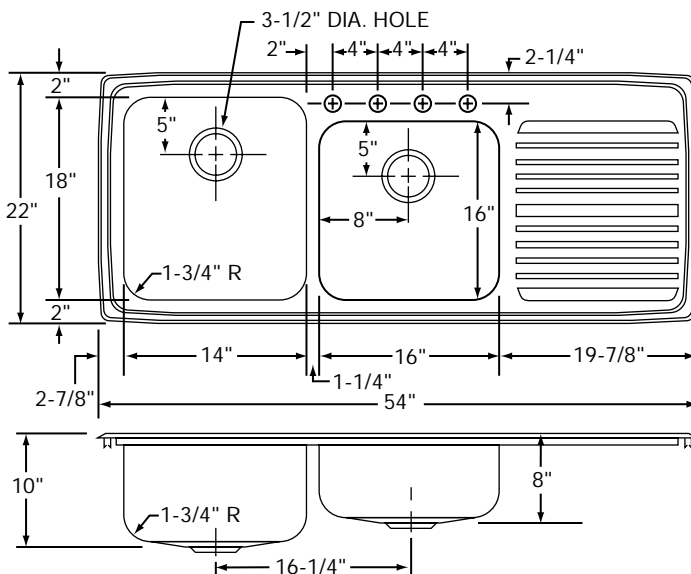
*Length is left to right. Width is front to back.



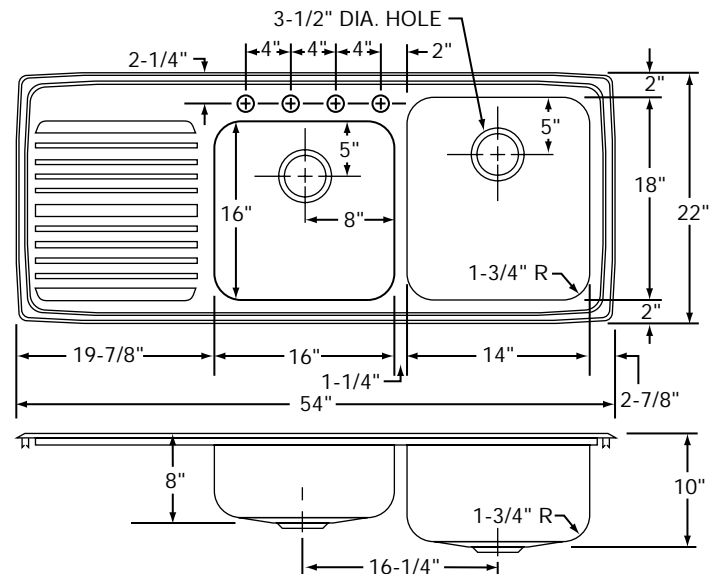
Model ILGR5422L4



Model ILGR5422R4



Model ILGR5422L4 Illustrated



Model ILGR5422R4 Illustrated

ALL DIMENSIONS IN INCHES, TO CONVERT TO MILLIMETERS MULTIPLY BY 25.4.

In keeping with our policy of continuing product improvement, Elkay reserves the right to change product specifications without notice.

This specification describes an Elkay product with design, quality and functional benefits to the user. When making a comparison of other producers' offerings, be certain these features are not overlooked.