

ELKAY[®]

SPECIFICATIONS

Lustertone[®] Sink-ette[®] Single Bowl Sink with Single Drainboard

Models ILR3322L, ILR3322R, ILR4322L and ILR4322R

GENERAL

Drop-in Sink-ette with single drainboard. The ideal solution to where to place a hot pot! Highest quality Lustertone sink bowl and integral fan pitched drainboard seamlessly drawn of #18 gauge, type 304 (18-8) nickel bearing stainless steel. Self-rimming.

DESIGN FEATURES

Bowl Depth: 7-5/8".

Coved Corners: 1-3/4" vertical and horizontal radius.

Finish: Exposed surfaces are hand blended to a lustrous highlighted satin finish.

Underside: Fully undercoated to prevent condensation and deaden sound.

OTHER

Drain opening: 3-1/2".

NOTE: Unless otherwise specified, sink is furnished with 3 faucet holes as shown.

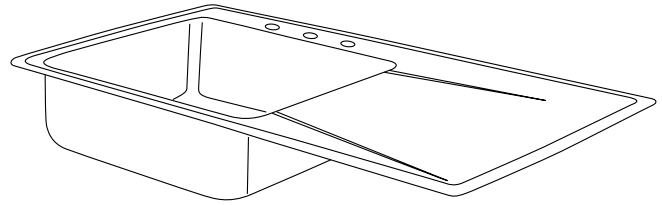
Suffix "L" (left) or "R" (right) denotes sink bowls are to left or right of drainboard.

OPTIONAL ACCESSORIES

Rinsing Basket: LKERBSS.



This sink is listed by the International Association of Plumbers and Mechanical Officials as meeting the requirements of the Uniform Plumbing Code.

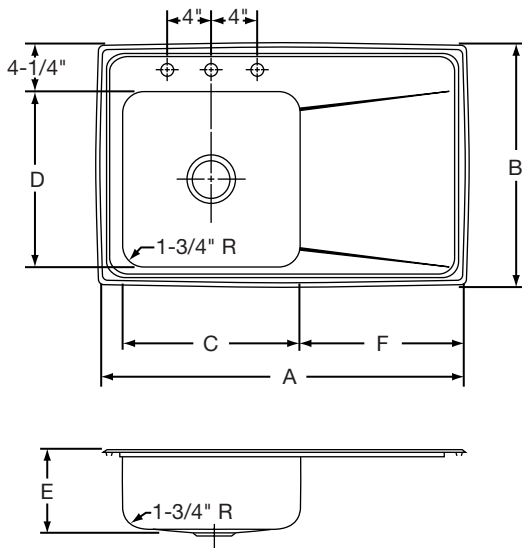


Model ILR3322L3

SINK DIMENSIONS (INCHES)*

Model Number	Overall		Inside Each Bowl			Drain Board Length F	Bowl Location	Cutout in Countertop (1 1/2" Radius Corners)		No. of 1 1/2" Dia. Faucet Holes 4" Center	Minimum Cabinet Size	Ship. Wt. Lbs.
	L	W	L	W	D			L	W			
	A	B	C	D	E							
ILR3322L	33	22	16	16	7 5/8	15	Left	32 3/8	21 3/8	1, 2, 3 or 4	36	28
ILR3322R	33	22	16	16	7 5/8	15	Right	32 3/8	21 3/8	1, 2, 3 or 4	36	28
ILR4322L	43	22	22	16	7 5/8	19 1/2	Left	42 3/8	21 3/8	1, 2, 3, 4 or 5	48	29 1/4
ILR4322R	43	22	22	16	7 5/8	19 1/2	Right	42 3/8	21 3/8	1, 2, 3, 4 or 5	48	29 1/4

*Length is left to right. Width is front to back.



Model ILR3322L3 Illustrated

ALL DIMENSIONS IN INCHES, TO CONVERT TO MILLIMETERS MULTIPLY BY 25.4.

In keeping with our policy of continuing product improvement, Elkay reserves the right to change product specifications without notice.

This specification describes an Elkay product with design, quality and functional benefits to the user. When making a comparison of other producers' offerings, be certain these features are not overlooked.