

ELKAY[®]

SPECIFICATIONS

Sink Accessories
Model LK94 Drain

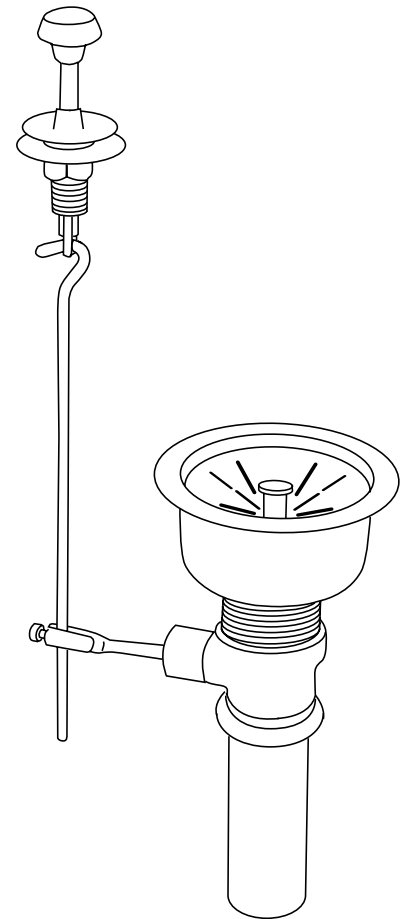
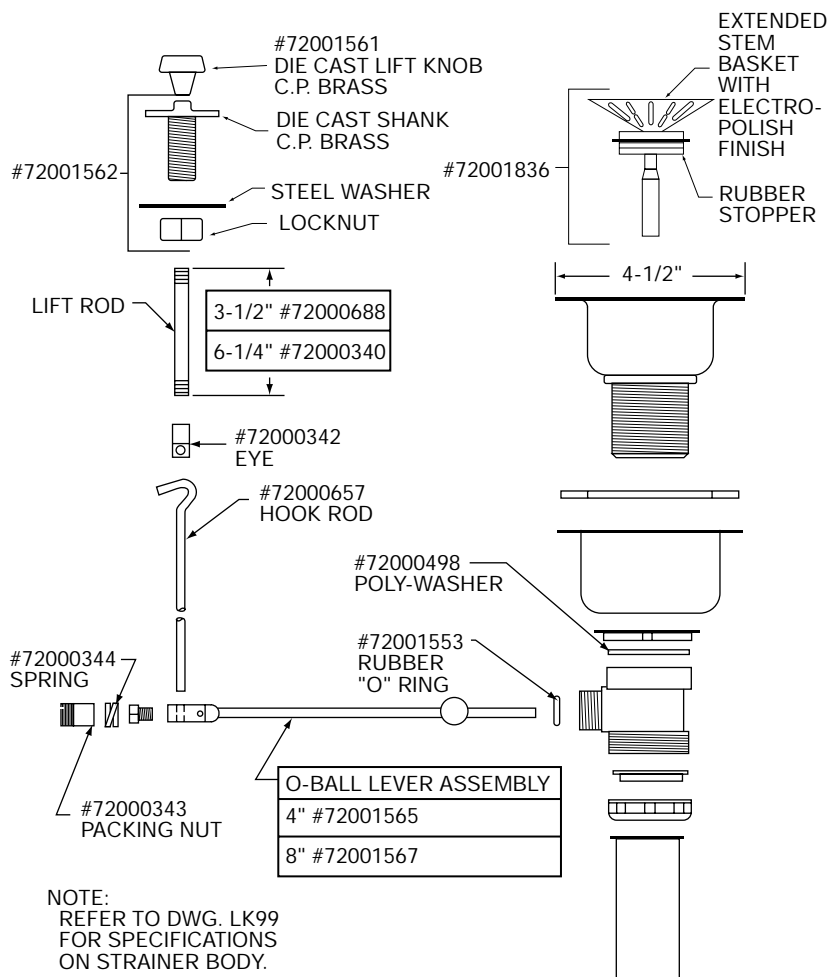
GENERAL

Strainer body made of 300 Series stainless steel, with chrome plated brass lift knob and tailpiece.

DESIGN FEATURES

Fits 3-1/2" opening, with overall top diameter of approximately 4-1/2". Chrome plated 4" length, 1-1/2" overall diameter tailpiece included. Remote linkage.

This drain is sold as an accessory item only.



Model LK94

ALL DIMENSIONS IN INCHES, TO CONVERT TO MILLIMETERS MULTIPLY BY 25.4.

In keeping with our policy of continuing product improvement, Elkay reserves the right to change product specifications without notice.

This specification describes an Elkay product with design, quality and functional benefits to the user. When making a comparison of other producers' offerings, be certain these features are not overlooked.