

ELKAY® SPECIFICATIONS

Lustertone® Single Bowl Sink Models LWR2522 Series

GENERAL

Highest quality sink bowl seamlessly formed of #18 gauge, type 304 (18-8) nickel bearing stainless steel. Top Mount.

DESIGN FEATURES

Bowl Depth: 6-1/8" (156mm).

Coved Corners: 1-3/4" (44mm) vertical and horizontal radius.

Bowl and Faucet Deck Recess: 3/16" (4mm) below outside edge of sink.

Finish: Exposed surfaces are hand blended to a Lustrous Highlighted Satin finish.

Underside: Fully undercoated to dampen sound and prevent condensation.

OTHER

Drain Opening: 3-1/2" (89mm).

Suffix "L" (left) or "R" (right) denotes waste disposer opening located in left or right rear corner of bowl.

Sink complies with ASME A112.19.3/ CSA B45.4



Sinks are listed by IAPMO® as meeting the applicable requirements of the Uniform Plumbing Code®, International Plumbing Code®, and National Plumbing Code of Canada.

OPTIONAL ACCESSORIES

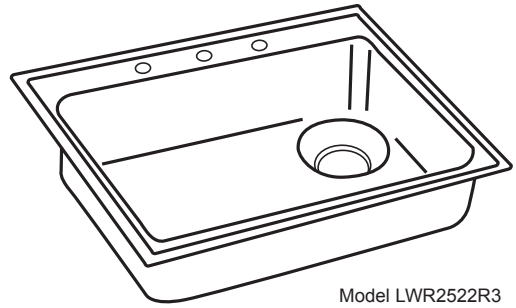
Rinsing Basket: LKWUCSS or LKWERBSS.

Cutting Board: CBS1316.

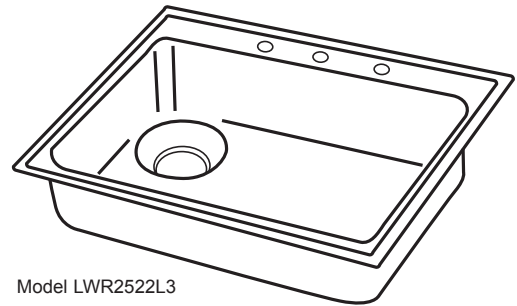
SINK DIMENSIONS (INCHES)*

U-Channel Model Number	Overall		Inside Bowl			Cutout in Countertop (1-1/2" (38mm) Radius Corners)		No. of 1-1/4" (32mm) or 1-1/2" (38mm) Dia. Faucet Holes 4" (102 mm) centers	Minimum Cabinet Size
	L	W	L	W	D	L	W		
LWR2522R	25 (635mm)	22 (559mm)	22 (559mm)	16 (406mm)	6 1/8 (156mm)	24 3/8 (619mm)	21 3/8 (543mm)	1, 2, MR2, 3, 4, or 5	30 (762mm)
LWR2522L	25 (635mm)	22 (559mm)	22 (559mm)	16 (406mm)	6 1/8 (156mm)	24 3/8 (619mm)	21 3/8 (543mm)	1, 2, MR2, 3, 4, or 5	30 (762mm)

* Length is left to right. Width is front to back.



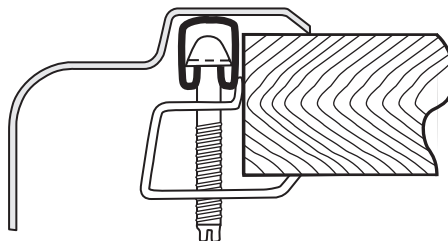
Model LWR2522R3



Model LWR2522L3



U-Channel Type Mounting System



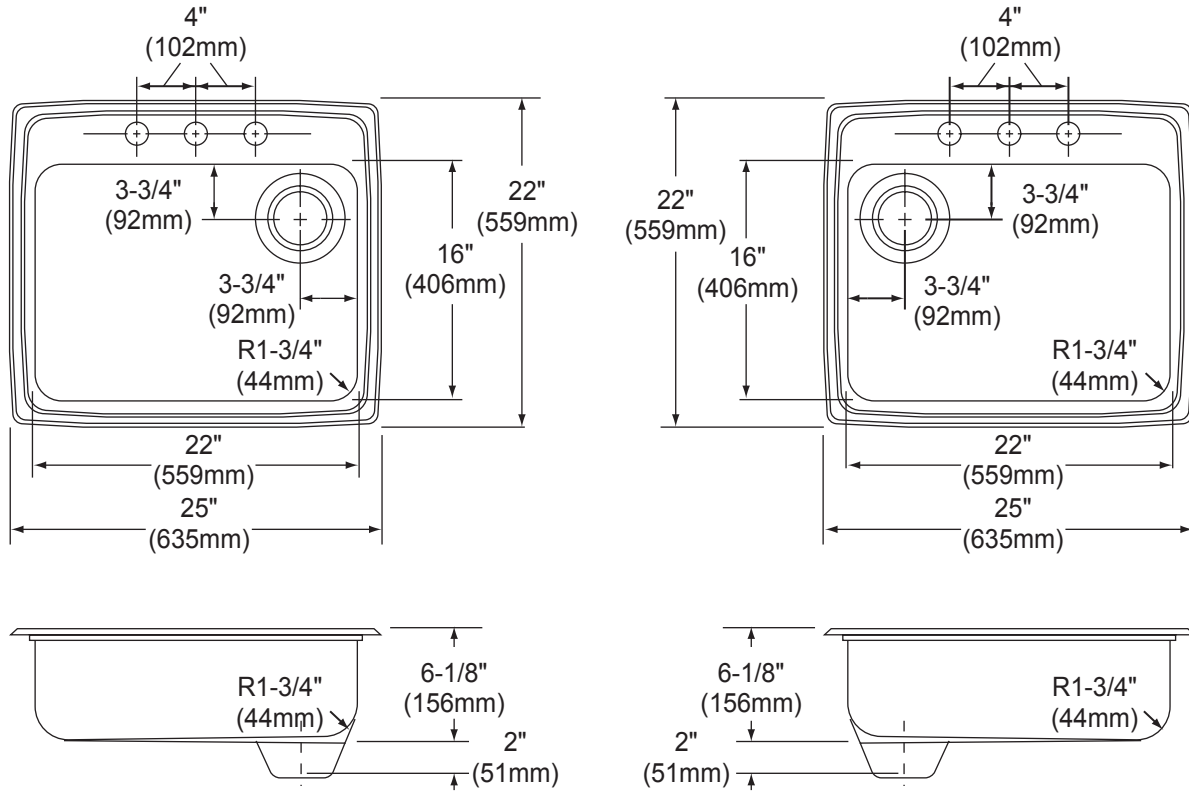
SEE OTHER SIDE FOR PRODUCT DIMENSIONS.

In keeping with our policy of continuing product improvement, Elkay reserves the right to change product specifications without notice. Please visit elkay.com for the most current version of Elkay product specification sheets.

This specification describes an Elkay product with design, quality, and functional benefits to the user. When making a comparison of others producers' offerings, be certain these features are not overlooked.

Lustertone® Single Bowl Sink
Models LWR2522 Series

ELKAY®
SPECIFICATIONS

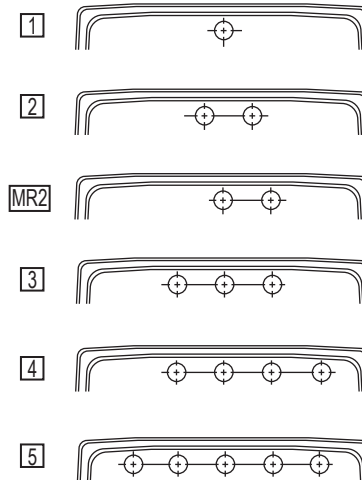


Model LWR2522R3 Illustrated

Model LWR2522L3 Illustrated

Hole Drilling Configurations

1-1/4" (32mm) Diameter Faucet Holes on 4" (102mm) Centers



In keeping with our policy of continuing product improvement, Elkay reserves the right to change product specifications without notice. Please visit elkay.com for the most current version of Elkay product specification sheets.

This specification describes an Elkay product with design, quality, and functional benefits to the user. When making a comparison of others producers' offerings, be certain these features are not overlooked.