

ELKAY® SPECIFICATIONS

Gourmet® Sink Tops - Single Bowl Models S4819L and S4819R

GENERAL

Highest quality sinktop formed of #18 (1.2mm) gauge, type 304 (18-8) nickel bearing stainless steel. Integral bowl, fan pitched integral work area and backsplash. All exposed surfaces hand-blended to a lustrous satin finish. Designed for use with standard size base cabinet and dishwasher sink base. (Custom sizes are available by contacting an Elkay Representative.)

DESIGN FEATURES

- Bowl Depth: 7-1/2" (191mm).
- Coved Corners: 1-3/4" (44mm) vertical and horizontal radius.
- Sinktop Thickness: 1-1/2" (38mm).
- Backsplash: 4" (102mm) high, full length, 1/4" (6mm) coved corner.
- Outside edge of sinktop has a 5/32" (4mm) raised rim.
- Drain Opening: 3-1/2" (89mm).
- Underside is fully undercoated.
- Wood mounting strips attached to underside for fastening top to cabinet.
- Stocked in three or four faucet holes only. Other hole drilling locations are available made to order.
- Suffix "L" (left) or "R" (right) denotes location of bowl.
- These sinks comply with ASME A112.19.3.



These sinks are listed by the International Association of Plumbing and Mechanical Officials as meeting the requirements of the Uniform Plumbing Code.

OPTIONAL ACCESSORIES

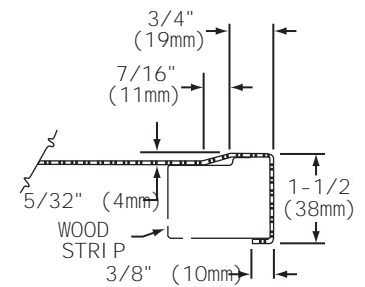
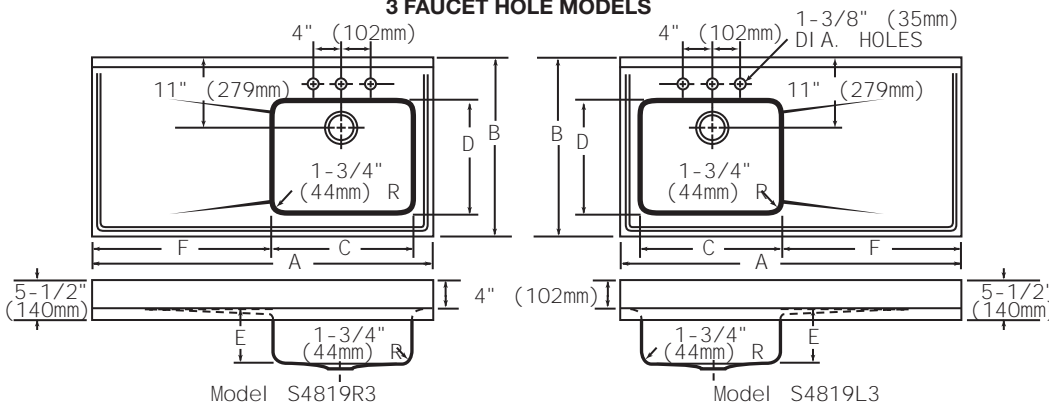
- Cutting Boards: CB1713, CBS1316.
- Drain: LK99.
- Rinsing Baskets: LKWRB1418SS, LKWERBSS.
- Utensil Caddy for Rinsing Basket: LKWUCSS.

SINK DIMENSIONS*

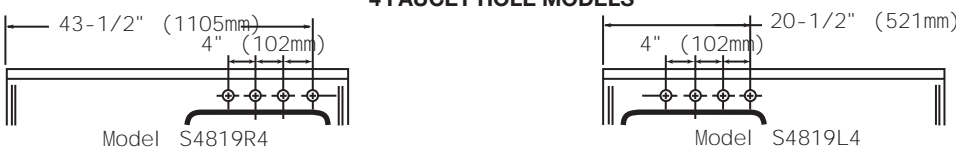
Model Number	Overall		Inside Each Bowl			Work Area		Drain Location	No. of 1 1/2" (38mm) Faucet Holes 4" (102mm) Center	Maximum Cabinet Size
	L A	W B	L C	W D	D E	L F	Location			
S4819L	48 (1219mm)	25 (635mm)	19 (483mm)	16 (406mm)	7 1/2 (191mm)	26 (660mm)	Right	Rear Center	3 or 4	48 (1219mm)
S4819R	48 (1219mm)	25 (635mm)	19 (483mm)	16 (406mm)	7 1/2 (191mm)	26 (660mm)	Left	Rear Center	3 or 4	48 (1219mm)

*Length is left to right. Width is front to back.

3 FAUCET HOLE MODELS



4 FAUCET HOLE MODELS



In keeping with our policy of continuing product improvement, Elkay reserves the right to change product specifications without notice. Please visit elkayusa.com for most current version of Elkay product specification sheets.

This specification describes an Elkay product with design, quality and functional benefits to the user. When making a comparison of other producers' offerings, be certain these features are not overlooked.

Elkay

elkayusa.com

2222 Camden Court
Oak Brook, IL 60523

Printed in U.S.A.
©2008 Elkay

(Rev. 11/08) 1-154A