

ELKAY® SPECIFICATIONS

Lustertone® Double Bowl Sink Models STLR and STLRQ Series

GENERAL

Highest quality sink seamlessly formed of #18 gauge, type 304 (18-8) nickel bearing stainless steel. Top Mount.

DESIGN FEATURES

Bowl Depths: 7-5/8" (194mm) (shallow bowl), 10-1/8" (257) (deep bowl).

Coved Corners: 1-3/4" (44mm) vertical and horizontal radius.

Bowl and Faucet Deck Recess: 3/16" (44mm) below outside edge of sink.

Finish: Exposed surfaces are hand blended to a Lustrous High-lighted Satin finish.

Underside: Fully undercoated to dampen sound and prevent condensation.

OTHER

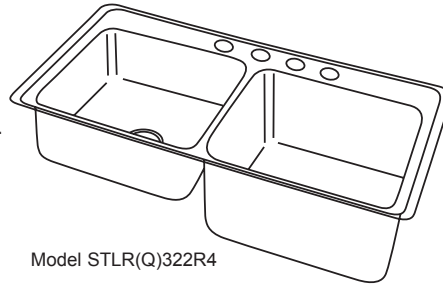
Drain Opening: 3-1/2". (89mm)

Suffix "L" (left) or "R" (right) denotes location of deep bowl.

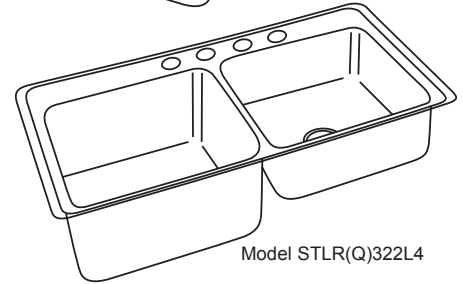
Sink complies with ASME A112.19.3/ CSA B45.4



Sinks are listed by IAPMO® as meeting the applicable requirements of the Uniform Plumbing Code®, International Plumbing Code®, and National Plumbing Code of Canada.



Model STLR(Q)322R4



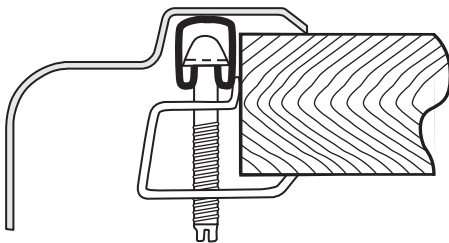
Model STLR(Q)322L4

SINK DIMENSIONS (INCHES)*

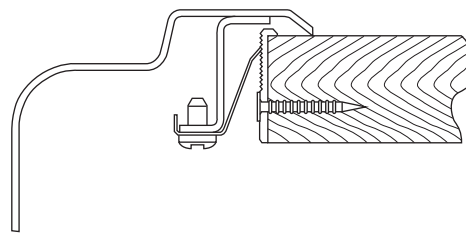
U-Channel Model	Quick-Clip® Model Number	Overall		Inside Left Bowl			Inside Right Bowl			Cutout in Countertop (1-1/2" (38mm) Radius Corners)		No. of 1-1/2" (38mm) Dia. Faucet Holes 4" (102mm) Center	Minimum Cabinet Size
		L	W	L	W	D	L	W	D	L	W		
		A	B	C	D	E	C	D	F	L	W		
STLR3322L	STLRQ3322L	33 (838mm)	22 (559mm)	13½ (343mm)	16 (406mm)	10½ (257mm)	13½ (343mm)	16 (406mm)	7½ (194mm)	32¾ (822mm)	21¾ (543mm)	1, 2, MR2, 3, 4 or 5	36 (914mm)
STLR3322R	STLRQ3322R	33 (838mm)	22 (559mm)	13½ (343mm)	16 (406mm)	7½ (194mm)	13½ (343mm)	16 (406mm)	10½ (257mm)	32¾ (822mm)	21¾ (543mm)	1, 2, MR2, 3, 4 or 5	36 (914mm)

* Length is left to right. Width is front to back.

U-Channel Type Mounting System



Quick-Clip® Mounting System



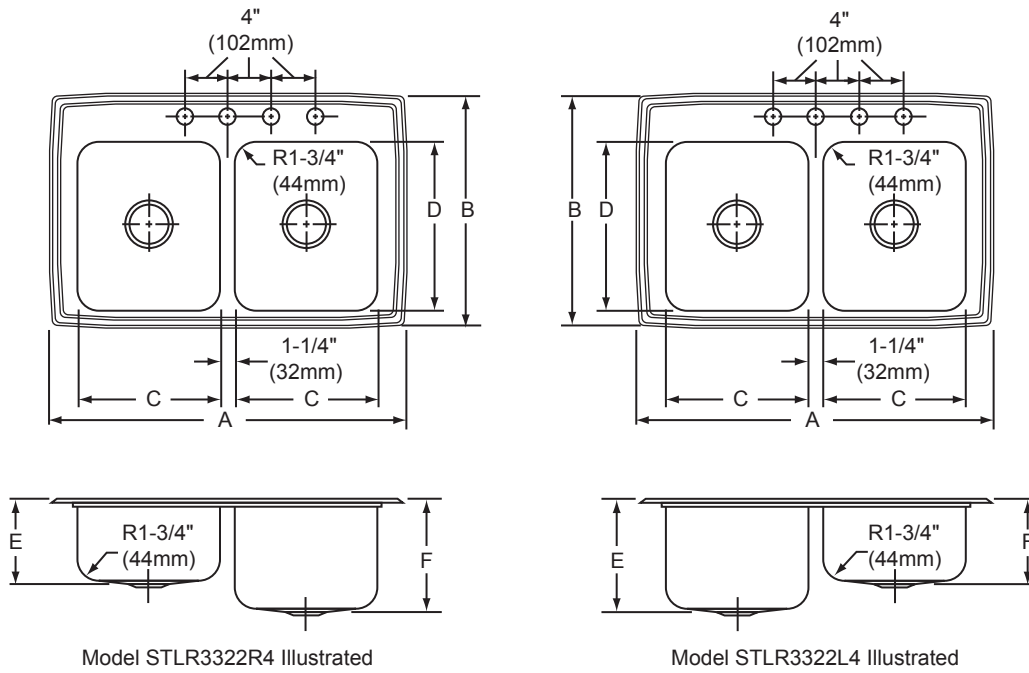
SEE OTHER SIDE FOR PRODUCT DIMENSIONS.

In keeping with our policy of continuing product improvement, Elkay reserves the right to change product specifications without notice. Please visit elkay.com for the most current version of Elkay product specification sheets.

This specification describes an Elkay product with design, quality, and functional benefits to the user. When making a comparison of other producers' offerings, be certain these features are not overlooked.

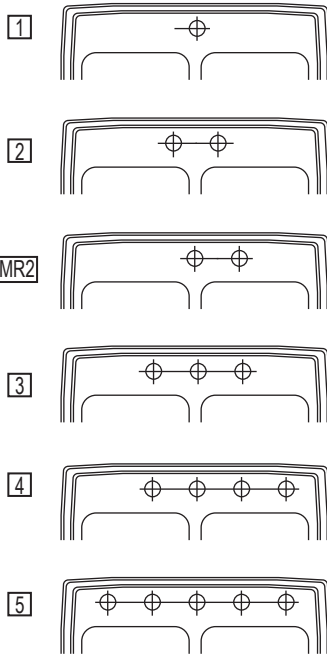
**Lustertone® Double Bowl Sink
Models STLR and STLRQ Series**

**ELKAY®
SPECIFICATIONS**



Hole Drilling Configurations

1-1/4" (32mm) Diameter Faucet Holes on 4" (102mm) Centers



In keeping with our policy of continuing product improvement, Elkay reserves the right to change product specifications without notice. Please visit elkay.com for the most current version of Elkay product specification sheets.

This specification describes an Elkay product with design, quality, and functional benefits to the user. When making a comparison of other producers' offerings, be certain these features are not overlooked.