

PRODUCT SPECIFICATIONS

18 Gauge Stainless Steel 33" x 22" x 9" Double Bowl Offset Dual Mount Kitchen Sink. Sink is manufactured from 18 gauge 300 series Stainless Steel with a Durable Satin finish, Center drain placement, and Sides and Bottom pads.

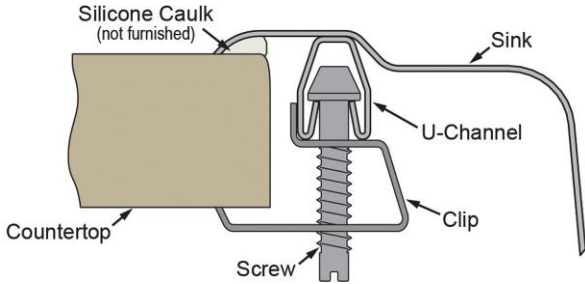
Installation Type:	Drop-in, Undermount
Material:	300 series Stainless Steel
Finish:	Durable Satin
Gauge:	18
Sound Deadening:	Sides and Bottom pads
Number of Bowls:	2
Sink Dimensions:	33" x 22" x 9"
Bowl 1 Dimensions:	13-1/2" x 18" x 9"
Bowl 2 Dimensions:	14" x 15-3/4" x 9"
Drain Size:	3-1/2" (89mm)
Drain Location:	Center
Minimum Cabinet Size:	36"
Mounting Hardware:	Included for drop-in installation for 3/4" (19mm) countertop.
Cutout Template #:	1000004398

Template is available for download at [elkay.com](#)

Cutout Dimensions for Top Mount Installation:

32-3/8" x 21-3/8" (822mm x 543mm) with 1-1/2" (38mm) corner radius

Installation Profile:



OPTIONAL ACCESSORIES

Bottom Grid:	GBG1415SS, GBG1318SS
Drain:	LK35, LK99
Hardware:	LK364, LK463 (12 Required)



AMERICAN PRIDE. A LIFETIME TRADITION.

Like your family, the Elkay family has values and traditions that endure. For almost a century, Elkay has been a family-owned and operated company, providing thousands of jobs that support our families and communities.

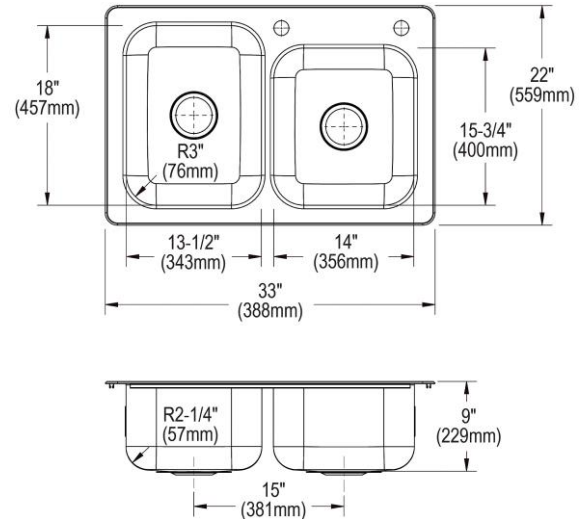


Product Compliance: ASME A112.19.3/CSA B45.4
BUY AMERICAN ACT



Sinks are listed by IAPMO® as meeting the applicable requirements of the Uniform Plumbing Code®, International Plumbing Code®, and National Plumbing Code of Canada.

- [Clean and Care Manual \(PDF\)](#)
- [Installation Instructions \(PDF\)](#)
- [Limited Lifetime Warranty \(PDF\)](#)



PART: _____ QTY: _____

PROJECT: _____

CONTACT: _____

DATE: _____

NOTES: _____

APPROVAL: _____

In keeping with our policy of continuing product improvement, Elkay reserves the right to change product specifications without notice. Please visit [elkay.com](#) for the most current version of Elkay product specification sheets. This specification describes an Elkay product with design, quality, and functional benefits to the user. When making a comparison of other producers' offerings, be certain these features are not overlooked.