

ELKAY[®]

SPECIFICATIONS

Harmony™ Undermount Single Bowl Sink Model ELUH2118 Series

IMPORTANT! ELU / ELUH Update

ELUH models have been redesigned to accommodate 1/2" reveal and no reveal installation options. ELU models should be ordered as ELUH.

GENERAL

Highest quality sink formed of #18 (1.2mm) gauge, type 304 (18-8) nickel bearing stainless steel. Undermount.

DESIGN FEATURES

Bowl Depth: 7-1/2" (191mm) (ELUH2118), 10" (254mm) (ELUH211810).

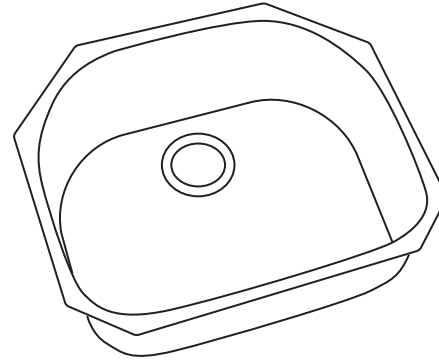
Finish: Exposed surfaces are hand blended to a Lustrous Highlighted Satin finish.

Underside: Underside of sink is fully protected by heavy duty Sound Guard undercoating to reduce condensation and dampen sound.

OTHER

Drain Opening: 3-1/2" (89mm).

NOTE: All Elkay undermount sinks are designed to affix to the underside of any solid surface countertop.



Model ELUH2118

Sink complies with ASME A112.19.3/ CSA B45.4



Sinks are listed by IAPMO[®] as meeting the applicable requirements of the Uniform Plumbing Code[®], International Plumbing Code[®], and National Plumbing Code of Canada.

OPTIONAL ACCESSORIES

Bottom Grid: LKWOBG2118SS, LKWERBSS

Cutting Board (Reveal mount only): CB2213

Drain: LK99

Rinsing Baskets: LKWRB2118SS, LKWERBSS

Utensil Caddy for Rinsing Basket: LKWUCSS

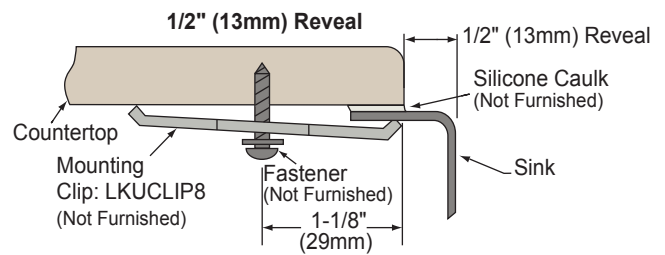
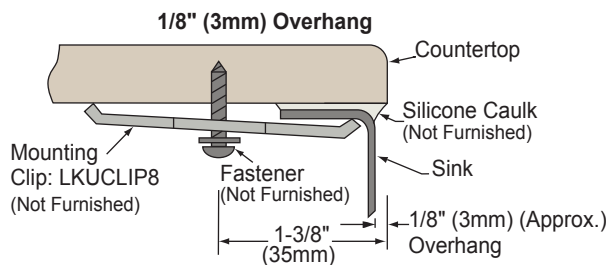
Mounting Clip: LKUCLIP8

SINK PACKAGE(S)

MODEL	SINK	BOTTOM GRID	QTY	DRAIN	QTY
ELUH211810DBG	ELUH211810	LKWOBG2118SS	1	LK99	1
ELUH2118DBG	ELUH2118	LKWOBG2118SS	1	LK99	1



Installation Profile



In keeping with our policy of continuing product improvement, Elkay reserves the right to change product specifications without notice. Please visit elkay.com for the most current version of Elkay product specification sheets.

This specification describes an Elkay product with design, quality, and functional benefits to the user. When making a comparison of other producers' offerings, be certain these features are not overlooked.

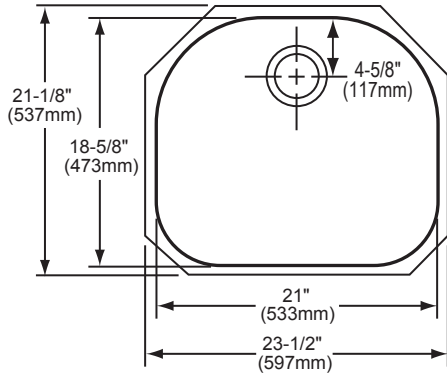
**Harmony™ Undermount Single Bowl Sink
Model ELUH2118 Series**

**ELKAY®
SPECIFICATIONS**

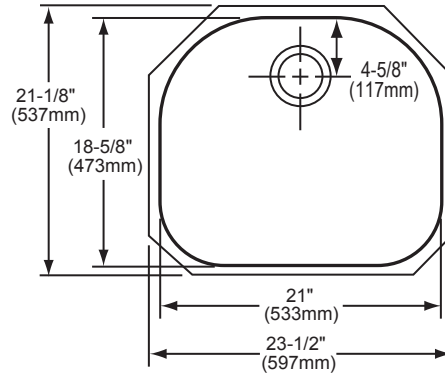
SINK DIMENSIONS*

Model Number	Overall		Inside Bowl			Cutout in Countertop	Minimum Cabinet Size
	L	W	L	W	D		
ELUH2118	23 1/2 (597mm)	21 1/8 (537mm)	21 (533mm)	18 5/8 (473mm)	7 1/2 (191mm)	See Template**	27 (686mm)
ELUH211810	23 1/2 (597mm)	21 1/8 (537mm)	21 (533mm)	18 5/8 (473mm)	10 (254mm)		27 (686mm)

*Length is left to right. Width is front to back.
**Template #1000000588 is packed with every sink.



Model ELUH2118



Model ELUH211810

In keeping with our policy of continuing product improvement, Elkay reserves the right to change product specifications without notice. Please visit elkay.com for the most current version of Elkay product specification sheets.

This specification describes an Elkay product with design, quality, and functional benefits to the user. When making a comparison of other producers' offerings, be certain these features are not overlooked.