

ELKAY® SPECIFICATIONS

Gourmet® Deep Single Bowl Sink Models DLR and DLRQ, DLRS and DLRSQ Series

GENERAL

Highest quality sink formed of #18 (1.2mm) gauge, type 304 (18-8) nickel bearing stainless steel. Top mount.

DESIGN FEATURES

Bowl Depth: See chart on next page.

Coved Corners: 1-3/4" (44mm) vertical and horizontal radius.

Bowl and Faucet Deck Recess: 3/16" (9mm) below outside edge of sink.

Finish: Exposed surfaces are hand blended to a lustrous satin finish.

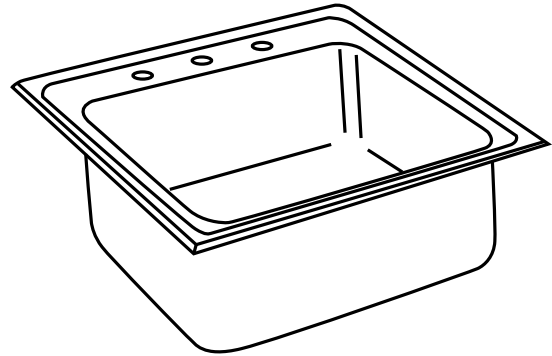
Underside: Fully undercoated to dampen sound and prevent condensation. DLR(Q)191910 and DLR252110 underside is fully protected by heavy duty Sound Guard® undercoating.

OTHER

Drain Opening: 3-1/2" (89mm).

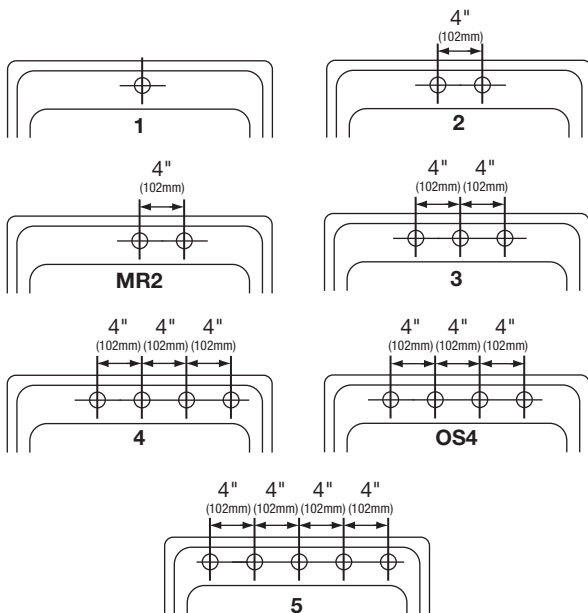
NOTE: Unless otherwise specified, sink is furnished with 3 faucet holes as shown.

These sinks comply with ASME A112.19.3.

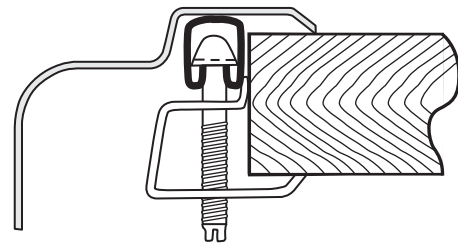


Model DLR(Q)2522103

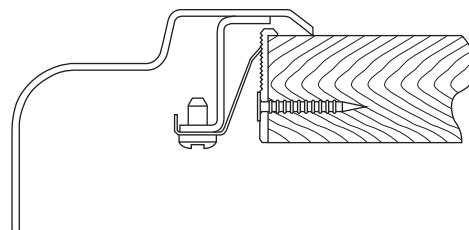
HOLE DRILLING CONFIGURATIONS



U-Channel Type Mounting System



Quick-Clip® Mounting System



SEE OTHER SIDE FOR PRODUCT DIMENSIONS.

In keeping with our policy of continuing product improvement, Elkay reserves the right to change product specifications without notice. Please visit elkayusa.com for most current version of Elkay product specification sheets.

This specification describes an Elkay product with design, quality and functional benefits to the user. When making a comparison of other producers' offerings, be certain these features are not overlooked.

Elkay

elkayusa.com

2222 Camden Court
Oak Brook, IL 60523

Printed in U.S.A.
©2008 Elkay

(Rev. 7/08) 1-18I

Gourmet® Deep Single Bowl Sink
Models DLR and DLRQ, DLRS and DLRSQ Series

ELKAY®
SPECIFICATIONS

SINK DIMENSIONS*

U-Channel Model Number	Quick-Clip® Model Number	Overall		Inside Bowl			Cutout in Countertop [1 1/2" (38mm) Radius Corners]		No. of 1 1/2" (38mm) Dia. Faucet Holes 4" (102mm) Center	Minimum Cabinet Size
		L	W	L	W	D	L	W		
		A	B	C	D	E	L	W		
DLR151710	-	15 (381mm)	17 1/2 (445mm)	12 (305mm)	12 (305mm)	10 (254mm)	14 3/8 (365mm)	16 7/8 (429mm)	1, 2, MR2, 3	18 (457mm)
DLR171610	DLRQ171610	17 (432mm)	16 (406mm)	14 (356mm)	10 (254mm)	10 1/8 (257mm)	16 3/8 (416mm)	15 3/8 (391mm)	1, 2, MR2, 3, OS4	21 (533mm)
DLR172010	DLRQ172010	17 (432mm)	20 (508mm)	14 (356mm)	14 (356mm)	10 1/8 (257mm)	16 3/8 (416mm)	19 3/8 (492mm)	1, 2, MR2, 3, OS4	21 (533mm)
DLR172210	DLRQ172210	17 (432mm)	22 (559mm)	13 1/2 (343mm)	16 (406mm)	10 1/8 (257mm)	16 3/8 (416mm)	21 3/8 (543mm)	1, 2, MR2, 3, OS4	21 (533mm)
DLR191910	DLRQ191910	19 1/2 (495mm)	19 (483mm)	16 (406mm)	13 1/2 (343mm)	10 1/8 (257mm)	18 7/8 (479mm)	18 3/8 (467mm)	1, 2, MR2, 3, OS4	24 (610mm)
DLR202210	DLRQ202210	19 1/2 (495mm)	22 (559mm)	16 (406mm)	16 (406mm)	10 1/8 (257mm)	18 7/8 (479mm)	21 3/8 (543mm)	1, 2, MR2, 3, OS4	24 (610mm)
DLR221910	DLRQ221910	22 (559mm)	19 1/2 (495mm)	18 (457mm)	14 (356mm)	10 1/8 (257mm)	21 3/8 (543mm)	18 7/8 (479mm)	1, 2, MR2, 3, 4, 5	27 (686mm)
DLR222210	DLRQ222210	22 (559mm)	22 (559mm)	19 (483mm)	16 (406mm)	10 1/8 (257mm)	21 3/8 (543mm)	21 3/8 (543mm)	1, 2, MR2, 3, 4, 5	27 (686mm)
DLR222212	DLRQ222212	22 (559mm)	22 (559mm)	19 (483mm)	16 (406mm)	12 1/8 (308mm)	21 3/8 (543mm)	21 3/8 (543mm)	1, 2, MR2, 3, 4, 5	27 (686mm)
DLR252110	-	25 (635mm)	21 1/4 (540mm)	21 (533mm)	15 3/4 (400mm)	10 1/8 (257mm)	24 3/8 (619mm)	20 5/8 (524mm)	1, 2, MR2, 3, 4, 5	30 (762mm)
DLR252210	DLRQ252210	25 (635mm)	22 (559mm)	21 (533mm)	15 3/4 (400mm)	10 1/8 (257mm)	24 3/8 (619mm)	21 3/8 (543mm)	1, 2, MR2, 3, 4, 5	30 (762mm)
DLR252212	DLRQ252212	25 (635mm)	22 (559mm)	21 (533mm)	15 3/4 (400mm)	12 1/8 (308mm)	24 3/8 (619mm)	21 3/8 (543mm)	1, 2, MR2, 3, 4, 5	30 (762mm)
DLR312210	DLRQ312210	31 (787mm)	22 (559mm)	28 (711mm)	16 (406mm)	10 1/8 (257mm)	30 3/8 (772mm)	21 3/8 (543mm)	1, 2, MR2, 3, 4, 5	36 (914mm)
DLR312212	DLRQ312212	31 (787mm)	22 (559mm)	28 (711mm)	16 (406mm)	11 5/8 (295mm)	30 3/8 (772mm)	21 3/8 (543mm)	1, 2, MR2, 3, 4, 5	36 (914mm)
DLRS332210	DLRSQ332210	33 (838mm)	22 (559mm)	28 (711mm)	16 (406mm)	10 1/8 (257mm)	32 3/8 (822mm)	21 3/8 (543mm)	1, 2, MR2, 3, 4, 5	36 (914mm)
DLRS332212	-	33 (838mm)	22 (559mm)	28 (711mm)	16 (406mm)	11 5/8 (295mm)	32 3/8 (822mm)	21 3/8 (543mm)	1, 2, MR2, 3, 4, 5	36 (914mm)

*Length is left to right. Width is front to back.

