

ELKAY[®]

SPECIFICATIONS

Gourmet Undermount Sinks Model SCUH1416 Series

GENERAL

High quality single bowl sink is formed of type 304 (18-8) nickel bearing stainless steel material.

SCUH1416SH hammered mirror finish

SCUH1416SM mirror finish

DESIGN FEATURES

Bowl Depth: 7-1/2" (191mm).

Coved Corners: 3" (76mm) vertical and 2" (51mm) horizontal radius.

Underside: Fully undercoated to reduce condensation and dampen sound.

OTHER

Drain Opening: 3-1/2" (89mm).

Note: All Elkay undermount sinks are designed to affix easily to the underside of any solid surface countertop.

Sink complies with ASME A112.19.3-2008 / CSA B45.4-08.



These sinks are listed by the International Association of Plumbing and Mechanical Officials as meeting the requirements of the Uniform Plumbing Code and the National Plumbing Code of Canada.

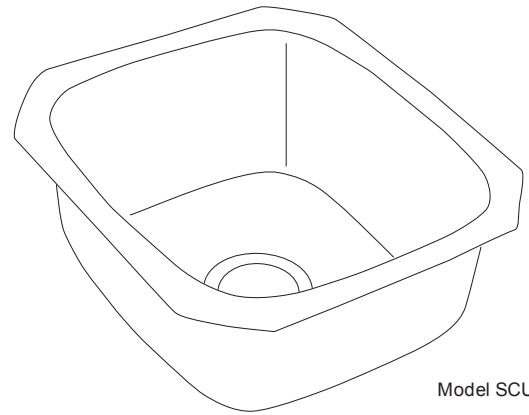
OPTIONAL ACCESSORIES

Cutting Board: CB1516

Drain: LK99

Rinsing Basket: LKWERBSS

Utensil Caddy for Rinsing Basket: LKWUCSS



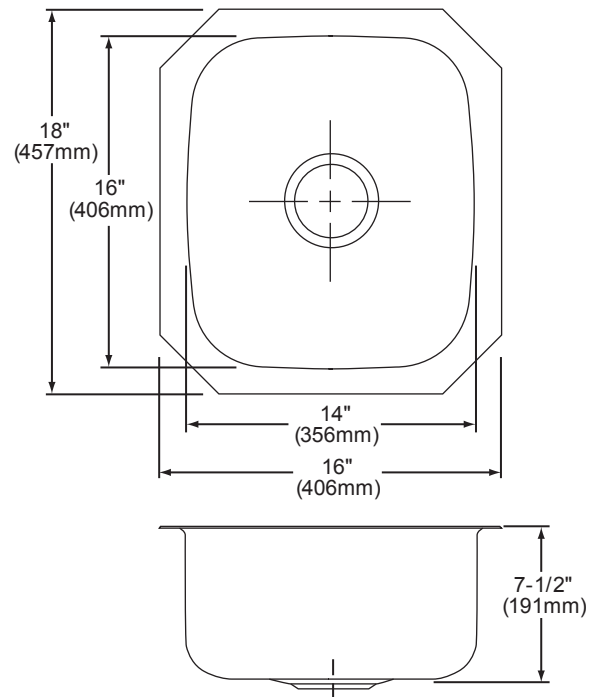
Model SCUH1416

SINK DIMENSIONS*

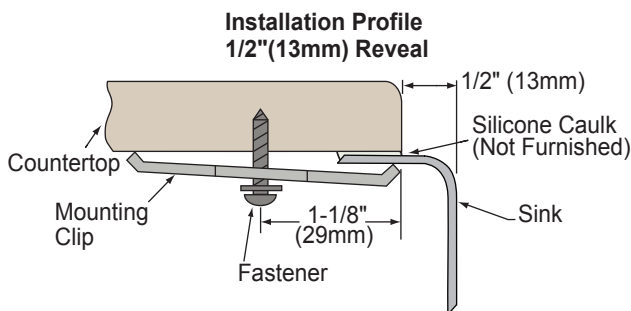
Model Number	Overall		Inside Bowl			Cutout in Countertop	Minimum Cabinet Size
	L	W	L	W	D		
SCUH1416SH	16 (406mm)	18 (457mm)	14 (356mm)	16 (406mm)	7½ (191mm)	See Template**	21 (533mm)
SCUH1416SM	16 (406mm)	18 (457mm)	14 (356mm)	16 (406mm)	7½ (191mm)		21 (533mm)

*Length is left to right. Width is front to back.

**Template 74180292 and countertop mounting clips are packed with every sink.



Model SCUH1416



In keeping with our policy of continuing product improvement, Elkay reserves the right to change product specifications without notice. Please visit elkayusa.com for most current version of Elkay product specification sheets.

This specification describes an Elkay product with design, quality and functional benefits to the user. When making a comparison of other producers' offerings, be certain these features are not overlooked.

Elkay

elkayusa.com

2222 Camden Court
Oak Brook, IL 60523

Printed in U.S.A.
©2011 Elkay

(Rev. 8/11) 1-176D