

ELKAY[®]

SPECIFICATIONS

Elkay Specialty Collection™ Universal Mount Sinks Model SCF16 Series

GENERAL

High quality single bowl sink is formed of type 304 (18-8) nickel bearing stainless steel material.
Universal mount sink can be installed as a drop-in or undermount.

SCF16SH stainless steel with hammered mirror finish

DESIGN FEATURES

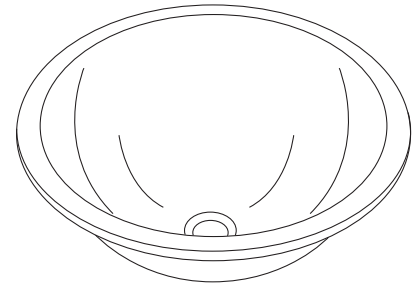
Bowl Depth: 7" (178mm).
Underside: Fully undercoated to reduce condensation and dampen sound.
Fastening Method: For drop-in application, utilize clips and attach to threaded stud (see illustration "A" below). For undermount application, utilize undermount clips (see illustration "B" below) – fasteners are not supplied.

OTHER

Drain Opening: 1-1/2" (38mm).
Sink includes overflow assembly with matching faceplate.
Sink complies with ASME A112.19.3-2008 / CSA B45.4-08.



These sinks are listed by the International Association of Plumbing and Mechanical Officials as meeting the requirements of the Uniform Plumbing Code and the National Plumbing Code of Canada.



Model SCF16SH

ILLUSTRATION A

Top Mount Application

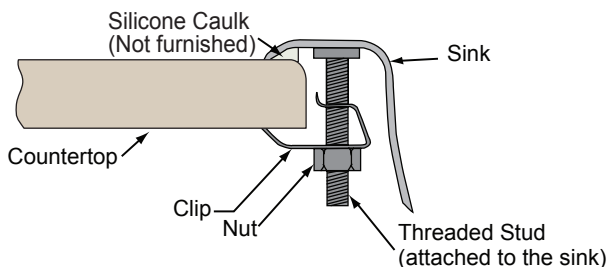
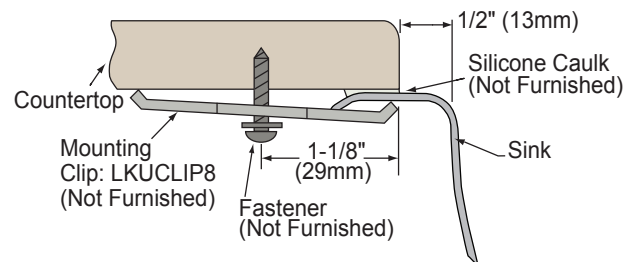


ILLUSTRATION B

Undermount Application 1/2" (13mm) Reveal



SEE OTHER SIDE FOR PRODUCT DIMENSIONS.

In keeping with our policy of continuing product improvement, Elkay reserves the right to change product specifications without notice. Please visit elkayusa.com for most current version of Elkay product specification sheets.

This specification describes an Elkay product with design, quality and functional benefits to the user. When making a comparison of other producers' offerings, be certain these features are not overlooked.

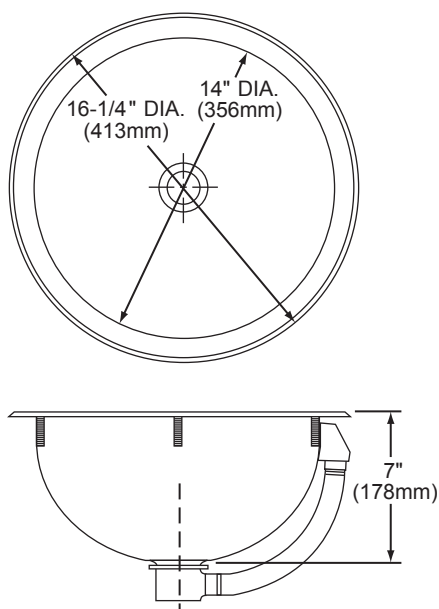
Elkay Specialty Collection™
Universal Mount Sinks
Model SCF16 Series

ELKAY®
SPECIFICATIONS

SINK DIMENSIONS*

Model Number	O.D.	I.D.	D	Cutout in Countertop	Minimum Cabinet Size
SCF16SH	16-1/4 (413mm)	14 (356mm)	7 (178mm)	See Template for undermount application. For drop-in application use sink upside down as template and cut 5/16 (8mm) INSIDE sink line.	21 (533mm)

*Length is left to right. Width is front to back.



Model SCF16__

In keeping with our policy of continuing product improvement, Elkay reserves the right to change product specifications without notice. Please visit elkayusa.com for most current version of Elkay product specification sheets.

This specification describes an Elkay product with design, quality and functional benefits to the user. When making a comparison of other producers' offerings, be certain these features are not overlooked.