

# ELKAY<sup>®</sup>

## SPECIFICATIONS

### Gourmet™ Single Bowl Sink Model ESE202010

#### GENERAL

Good quality sink formed of #20 (1.0mm) gauge, type 304 (18-8) nickel bearing stainless steel. Self-rimming.

#### DESIGN FEATURES

Bowl Depth: 10" (254mm).

Coved Corners: 3" (76mm) vertical radius, 2-1/4" (57mm) horizontal radius.

Finish: Exposed surfaces are polished to a bright satin finish.

Underside: Fully undercoated to dampen sound and reduce condensation.

#### OTHER

Drain Opening: 3-1/2" (89mm).

Note: Unless otherwise specified, sink is furnished with 3 faucet holes as shown.

Installation hardware for 3/4" (19mm) thick countertop included.

This sink complies with ASME A112.19.3-08/CSA B45.4-08.

#### OPTIONAL ACCESSORIES

Bottom Grid: LKWBG1415SS.

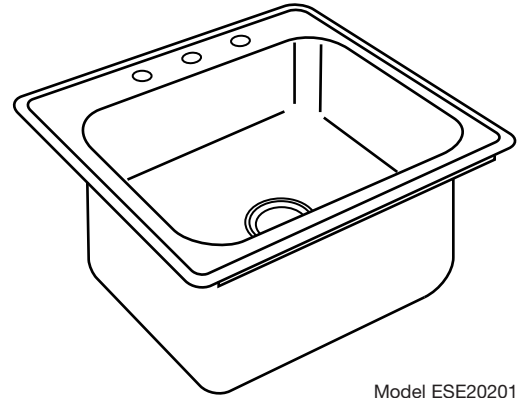
Cutting Board: CB1516.

Drain: LK99.

Installation hardware for thicker countertops: LK363 (up to 1-1/2" [38mm] thick; LK463 (up to 2-1/2" [66mm] thick).

Rinsing Baskets: LKWRB1316SS, LKWERBSS.

Utensil Caddy for Rinsing Basket: LKWUCSS.

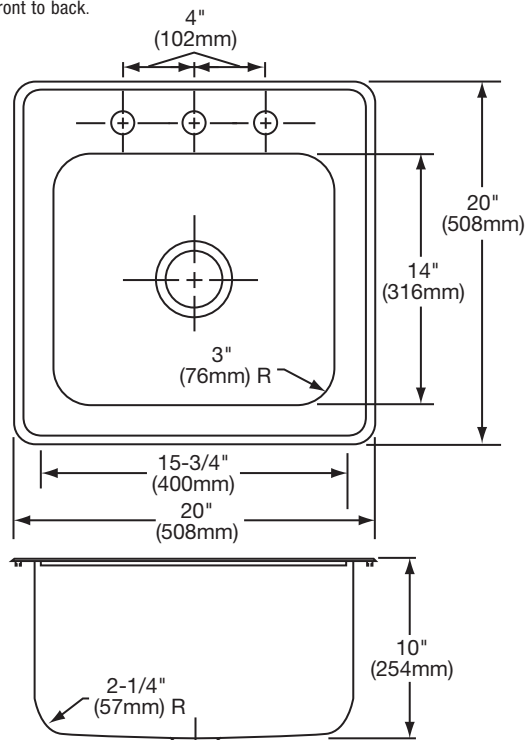


Model ESE2020103

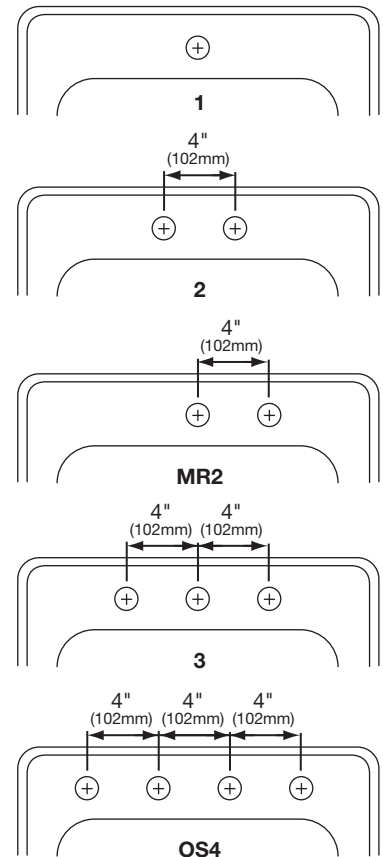
#### SINK DIMENSIONS\*

Model Number	Overall		Inside Each Bowl			Cutout in Countertop 1 1/2" (38mm) Radius Corners		No. of 1 1/2" (38mm) Dia. Faucet Holes	Minimum Cabinet Size
	L	W	L	W	D	L	W		
ESE202010	20 (508mm)	20 (508mm)	15 3/4 (400mm)	14 (356mm)	10 (254mm)	19 3/8 (492mm)	19 3/8 (492mm)	1, 2, MR2, 3 or OS4	24 (610mm)

\*Length is left to right. Width is front to back.



#### HOLE DRILLING CONFIGURATIONS



In keeping with our policy of continuing product improvement, Elkay reserves the right to change product specifications without notice. Please visit [elkayusa.com](http://elkayusa.com) for most current version of Elkay product specification sheets.

This specification describes an Elkay product with design, quality and functional benefits to the user. When making a comparison of other producers' offerings, be certain these features are not overlooked.

Elkay

[elkayusa.com](http://elkayusa.com)

2222 Camden Court  
Oak Brook, IL 60523

Printed in U.S.A.  
©2008 Elkay

(Rev. 11/08) 1-167B