

DAYTON® SPECIFICATIONS

Dayton® Undermount Double Bowl Sink Model DXUH3118 Series

GENERAL

Sink is formed of #18 (1.2mm) gauge, 300 series nickel bearing stainless steel. Undermount.

DESIGN FEATURES

Bowl Depth: 8" (203mm).

Underside: Sound dampening pads with spray undercoating to dampen sound and reduce condensation.

Finish: Exposed surfaces are polished to a Radiant Satin finish.

OTHER

Drain Openings: 3-1/2" (89mm).

NOTE: All Dayton undermount sinks are designed to affix easily to the underside of any solid surface countertop.

OPTIONAL ACCESSORIES

Bottom Grid: GBG1415SS

Drain: D1125

Cutting Board: CB1516 (sink must be installed with a 1/2" reveal for cutting board to fit properly)

Rinsing Basket: LKWRB1316SS, LKWERBSS

Utensil Caddy: LKWUCSS

Mounting Clip: LKUCLIP8 (2 packages required)

Template: 64180280

Sink complies with ASME A112.19.3/ CSA B45.4



Sinks are listed by IAPMO® as meeting the applicable requirements of the Uniform Plumbing Code®, International Plumbing Code®, and National Plumbing Code of Canada.

SINK KIT

DXUH3118 includes: (1) Sink - DXUH3118, (1) Faucet - LK1501CR, and (2) Drains.

DXUH3118DFBG includes: (1) Sink - DXUH3118, (1) Faucet - LK5000CR, (1) Bottom Grid - GBG1415SS, and (2) Drains.

FAUCET FEATURES

LK1501CR

- Chrome finished, single-lever kitchen faucet with side spray.
- Flexible supply tubes with 1/2" (13mm) male IPS adapters.
- Two 1 3/8" diameter faucet holes required.

LK5000CR

- Chrome finished, single-lever kitchen faucet with pull-down spray.
- Braided stainless steel supply lines.
- Three 1 3/8" diameter faucet holes required.

Max counter thickness: 2.5" (63mm).

Faucets comply with: ADA, ANSI/NSF61, ASME A112.18.1/CSA B125.1, cUPC, CA AB1953

Faucet flow rate: 1.5 GPM/5.7 L/min at 60 P.S.I.G.

BOTTOM GRID FEATURES

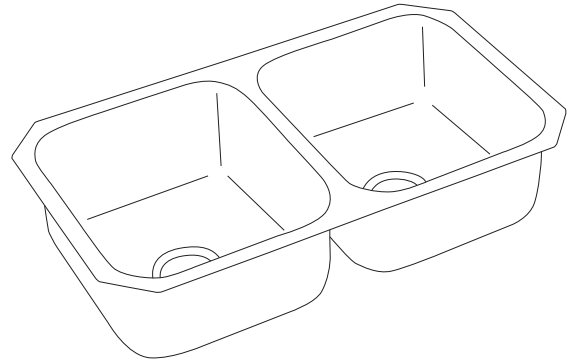
Nickel-bearing stainless steel

Bright finish

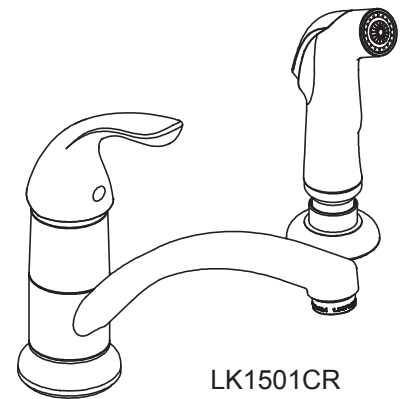
DRAIN FEATURES

Stainless steel body and strainer.

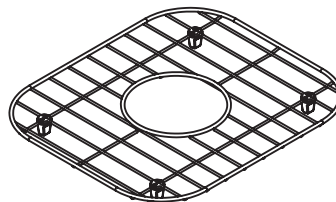
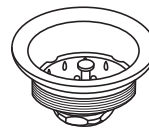
Fits 3-1/2" (89mm) opening.



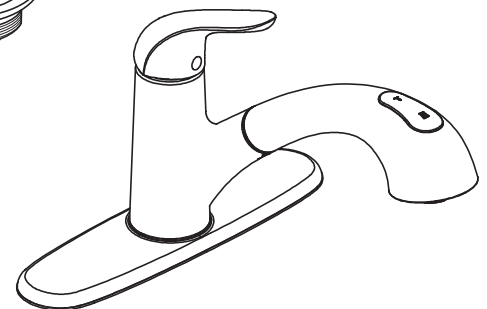
Model DXUH3118



LK1501CR



GBG1415SS



LK5000CR

In keeping with our policy of continuing product improvement, Elkay reserves the right to change product specifications without notice. Please visit elkayusa.com for most current version of Elkay product specification sheets.

This specification describes an Elkay product with design, quality and functional benefits to the user. When making a comparison of other producers' offerings, be certain these features are not overlooked.

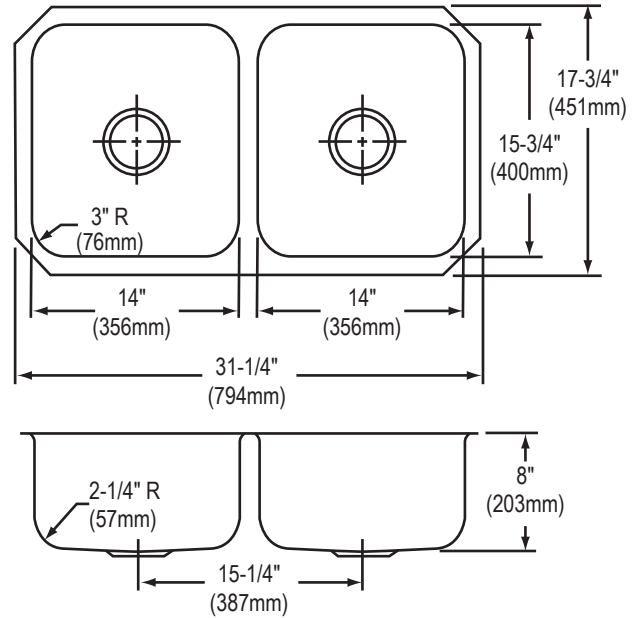
DAYTON® SPECIFICATIONS

Dayton® Undermount Double Bowl Sink Model DXUH3118 Series

SINK DIMENSIONS (INCHES)*

Model Number	Overall		Inside Bowl			Minimum Cabinet Size
	L	W	L	W	D	
DXUH3118	31-1/4 (794mm)	17-3/4 (451mm)	14 (356mm)	15-3/4 (400mm)	8 (203mm)	36 (914mm)

*Length is left to right. Width is front to back.



Electronic Dual Template Mounting Option (Download DXF File from www.elkayusa.com)

