

ELKAY[®]

SPECIFICATIONS

Avado™ Undermount Double Bowl Sink with Work Area Model EFU471810DB

GENERAL

Highest quality sink fabricated of #16 (1.6mm) gauge, type 304 (18-8) nickel bearing stainless steel. Reversible design allows the sink to be rotated so the work area may be on the left or right. Undermount.

DESIGN FEATURES

Bowl Depth: 10" (254mm).

Coved Corners: Zero radius.

Finish: Exposed surfaces have a Polished Satin finish.

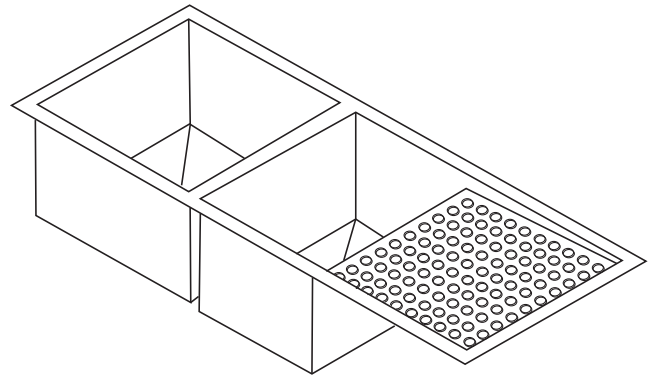
Underside: Fully protected by heavy duty Sound Guard[®] undercoating to dampen sound and reduce condensation.

OTHER

Drain Opening: 3-1/2" (89mm).

NOTE: All Elkay undermount sinks are designed to attach to the underside of any solid surface countertop.

Sink complies with ASME A112.19.3-2008 / CSA B45.4-08



Model EFU471810DB



These sinks are listed by the International Association of Plumbing and Mechanical Officials as meeting the requirements of the Uniform Plumbing Code.

SINK PACKAGE(S)

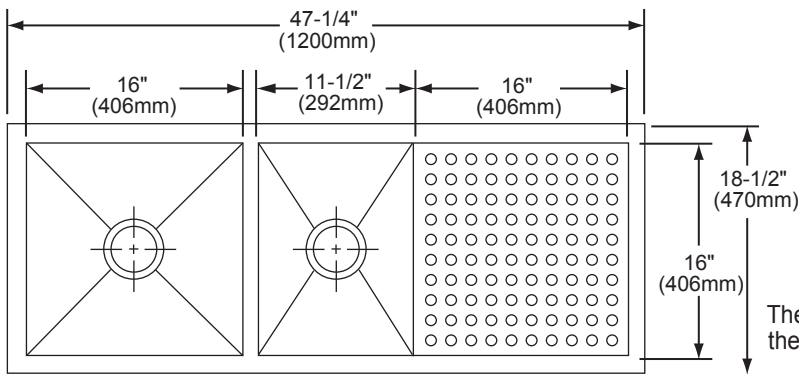
MODEL	SINK	BOTTOM GRID	QTY	DRAIN	QTY
EFU471810DBDBG	EFU471810DB	LKFBG1616SS	1	LK99	1

SINK DIMENSIONS*

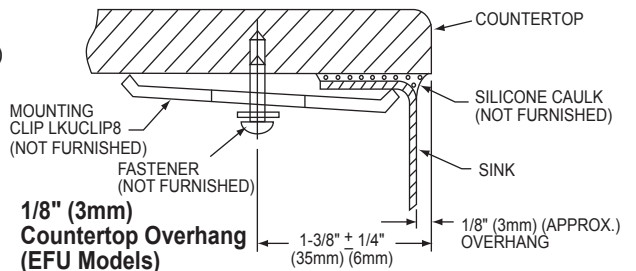
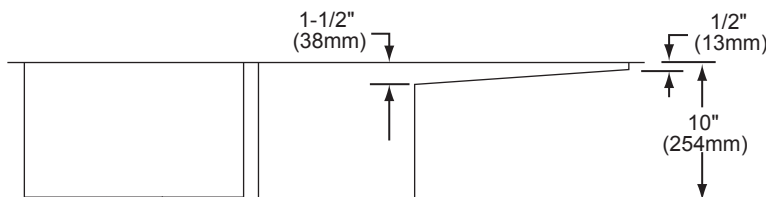
Model Number	Overall		Inside Large Bowl			Inside Small Bowl			Work Area			Cutout in Countertop	Minimum Cabinet Size
	L	W	L	W	D	L	W	D	L	W	D		
EFU471810DB	47 1/4 (1200mm)	18 1/2 (470mm)	16 (406mm)	16 (406mm)	10 (254mm)	11 1/2 (292mm)	16 (406mm)	10 (254mm)	16 (406mm)	16 (406mm)	1/2 to 1 1/2 (13mm) (38mm)	See Template**	51 (1295mm)

*Length is left to right. Width is front to back.

**Template is packed with every sink.



Installation Profile of EFU Models
The template provided with each EFU sink provides the only type of installation recommended by Elkay



In keeping with our policy of continuing product improvement, Elkay reserves the right to change product specifications without notice. Please visit elkayusa.com for most current version of Elkay product specification sheets.

This specification describes an Elkay product with design, quality and functional benefits to the user. When making a comparison of other producers' offerings, be certain these features are not overlooked.

Elkay

elkayusa.com

2222 Camden Court
Oak Brook, IL 60523

Printed in U.S.A.
©2010 Elkay

(Rev. 01/10) 1-238C

ELKAY[®]

SPECIFICATIONS

Avado™ Undermount Double Bowl Sink with Work Area Model EFU471810DB

OPTIONAL ACCESSORIES

Mounting Clips: LKUCLIP8 (2 packages required)

Utensil Caddy for Rinsing Basket: LKWUCSS

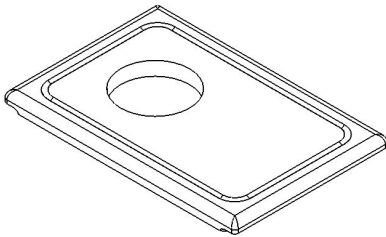
Drain: LK99

For Additional Accessories see table below

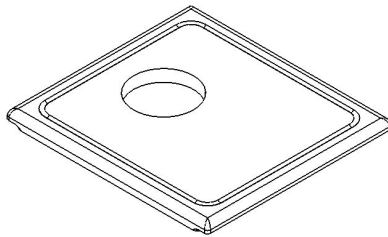
Model Number	Description	Bowl	Overall			Material/Finish
			L	W	Depth/Thickness	
LKCBF1116HW	Cutting Board**	Small	11-1/4" (286mm)	16-7/8" (429mm)	1" (25mm)	Hardwood
LKCBF1616HW	Cutting Board**	Large	15-1/2" (394mm)	16-7/8" (429mm)	1" (25mm)	Hardwood
LKFBG1116SS	Bottom Grid	Small	10-1/2" (267mm)	15" (381mm)	1-1/8" (29mm)	Polished stainless steel
LKFBG1616SS	Bottom Grid	Large	15" (381mm)	15" (381mm)	1-1/8" (29mm)	Polished stainless steel
LKFRB1116SS	Rinsing Basket	Small	10-1/2" (267mm)	15" (381mm)	5 5/16" (135mm)	Polished stainless steel
LKFRB1616SS	Rinsing Basket	Large	15" (381mm)	15" (381mm)	5 5/16" (135mm)	Polished stainless steel

*Length is left to right. Width is front to back.

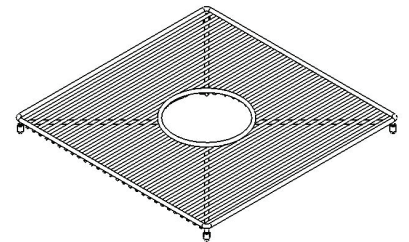
** Fits Countertop opening



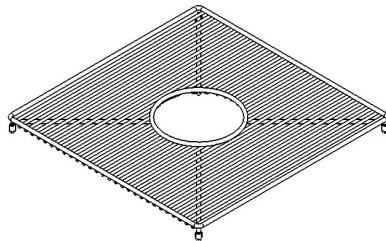
LKCBF1116HW



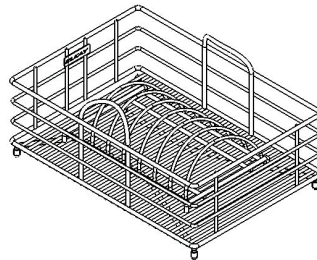
LKCBF1616HW



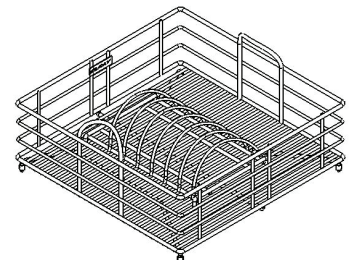
LKFBG1116SS



LKFBG1616SS



LKFRB1116SS



LKFRB1616SS

In keeping with our policy of continuing product improvement, Elkay reserves the right to change product specifications without notice. Please visit elkayusa.com for most current version of Elkay product specification sheets.

This specification describes an Elkay product with design, quality and functional benefits to the user. When making a comparison of other producers' offerings, be certain these features are not overlooked.

Elkay

elkayusa.com

2222 Camden Court
Oak Brook, IL 60523

Printed in U.S.A.
©2010 Elkay

(Rev. 01/10) 1-238C