

# DAYTON<sup>®</sup> SPECIFICATIONS

## Dayton<sup>®</sup> Undermount Single Bowl Sink Model DXUH1210

### GENERAL

Sink is formed of #18 gauge, 300 series nickel bearing stainless steel. Undermount.

### DESIGN FEATURES

Bowl Depth: 6-1/2". (165mm)

Finish: Exposed surfaces are polished to a Radiant Satin finish.

Underside: Sound dampening pads with spray undercoating to dampen sound and reduce condensation.

### OTHER

Drain Opening: 3-1/2". (89mm)

NOTE: All Dayton undermount sinks are designed to affix easily to the underside of any solid surface countertop.

Sink complies with ASME A112.19.3/ CSA B45.4



Sinks are listed by IAPMO<sup>®</sup> as meeting the applicable requirements of the Uniform Plumbing Code<sup>®</sup>, International Plumbing Code<sup>®</sup>, and National Plumbing Code of Canada.

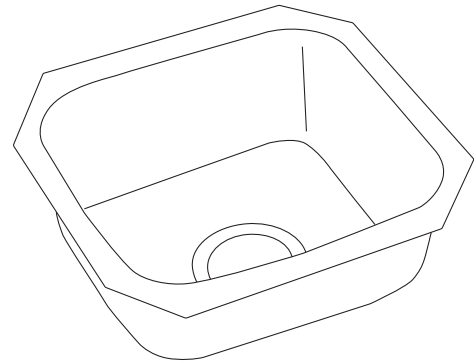
### OPTIONAL ACCESSORIES

Cutting Board: CB912 (Sink must be installed with a 1/2" reveal for cutting board to fit properly)

Drain: D1125

Mounting Clip: LKUCLIP8

Template: 64180275

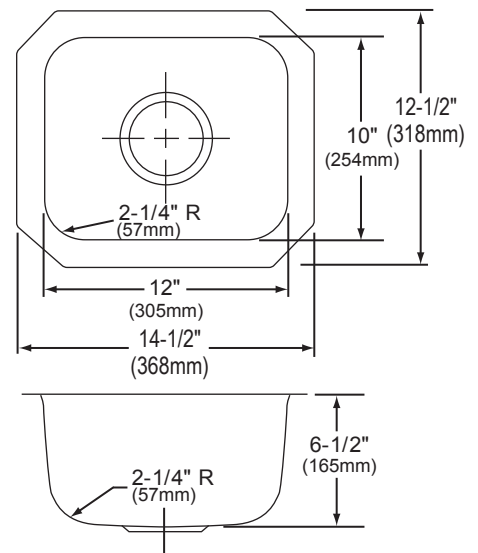


Model DXUH1210

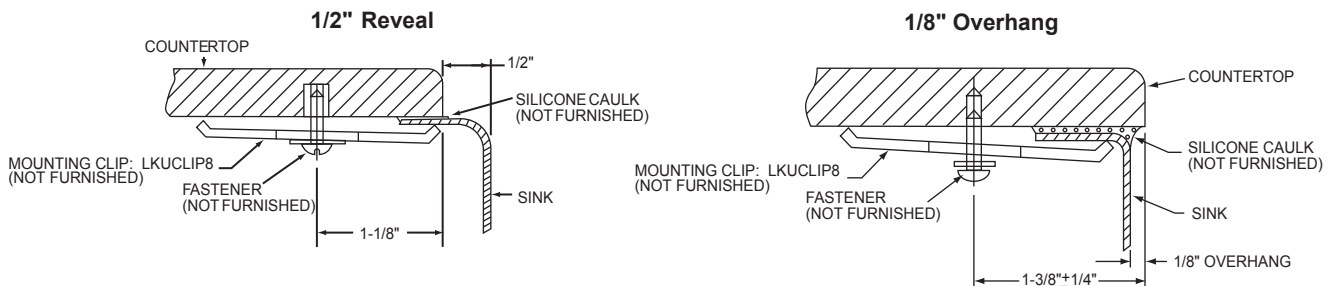
### SINK DIMENSIONS (INCHES)\*

Model Number	Overall		Inside Bowl			Minimum Cabinet Size
	L	W	L	W	D	
DXUH1210	14-1/2 (368mm)	12-1/2 (318mm)	12 (305mm)	10 (254mm)	6 1/2 (165mm)	18 (457mm)

\*Length is left to right. Width is front to back.



### Electronic Dual Template Mounting Option (Download DXF File from [www.elkay.com](http://www.elkay.com))



In keeping with our policy of continuing product improvement, Elkay reserves the right to change product specifications without notice. Please visit [elkayusa.com](http://elkayusa.com) for most current version of Elkay product specification sheets.

This specification describes an Elkay product with design, quality and functional benefits to the user. When making a comparison of other producers' offerings, be certain these features are not overlooked.