

DAYTON[®] SPECIFICATIONS

Dayton[®] Undermount Single Bowl Sink Model DXUH12FB

GENERAL

Sink is formed of #18 gauge, 300 series nickel bearing stainless steel. Undermount.

DESIGN FEATURES

Bowl Depth: 6". (152mm)

Finish: Exposed surfaces are polished to a Radiant Satin finish.

Underside: Sound dampening pad with spray undercoating to dampen sound and reduce condensation.

OTHER

Drain Opening: 3-1/2". (89mm)

NOTE: All Dayton undermount sinks are designed to affix easily to the underside of any solid surface countertop.

Sink complies with ASME A112.19.3/ CSA B45.4



Sinks are listed by IAPMO[®] as meeting the applicable requirements of the Uniform Plumbing Code[®], International Plumbing Code[®], and National Plumbing Code of Canada.

OPTIONAL ACCESSORIES

Drain: D1125

Rinsing Basket: LKWRB12SS

Utensil Caddy: LKWUCSS

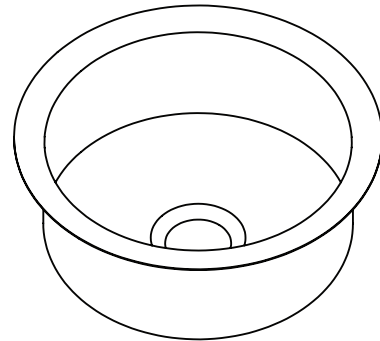
Mounting Clip: LKUCLIP8

Template: 74180004

SINK DIMENSIONS (INCHES)

Model Number	Outside Diameter	Inside Diameter	Depth	Minimum Cabinet Size
DXUH12FB	14-1/2 (368mm)	12 (305mm)	6 (152mm)	18 (457mm)

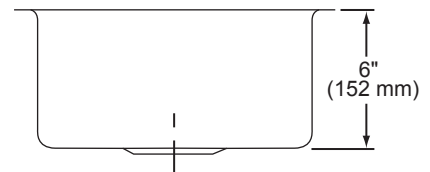
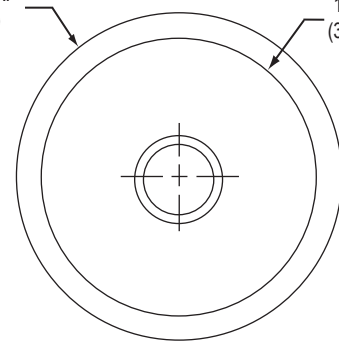
*Length is left to right. Width is front to back.



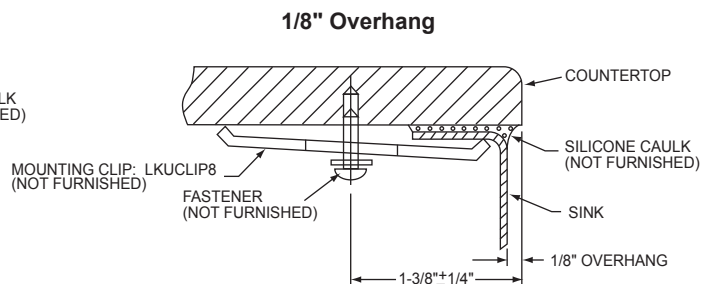
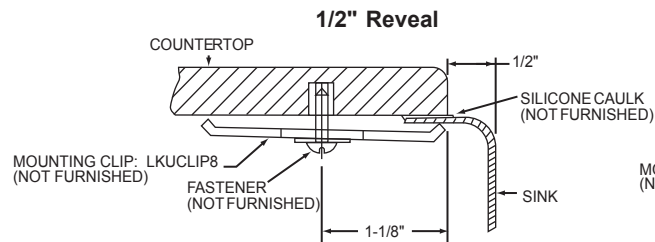
Model DXUH12FB

14-1/2 DIA.
(368mm)

12 DIA.
(305mm)



Electronic Dual Template Mounting Option (Download DXF File from www.elkaypro.com)



In keeping with our policy of continuing product improvement, Elkay reserves the right to change product specifications without notice. Please visit elkayusa.com for most current version of Elkay product specification sheets.

This specification describes an Elkay product with design, quality and functional benefits to the user. When making a comparison of other producers' offerings, be certain these features are not overlooked.