

ELKAY[®]

SPECIFICATIONS

The Mystic[®] by Elkay Undermount Sink Model MYSTIC2920

GENERAL

Highest quality sink formed of #18 (1.2mm) gauge, type 304 (18-8) nickel bearing stainless steel. Undermount.

DESIGN FEATURES

Bowl Depth: 10" (254mm).

Finish: Exposed surfaces are hand polished to a Lustrous Highlighted Satin finish.

Underside: Fully protected by heavy duty Sound Guard[®] under-coating designed to reduce condensation and dampen sound.

OTHER

Drain Opening: 3-1/2" (89mm).

NOTE: All Elkay undermount sinks are designed to affix to the underside of any solid surface countertop.

Sink complies with ASME A112.19.3/ CSA B45.4



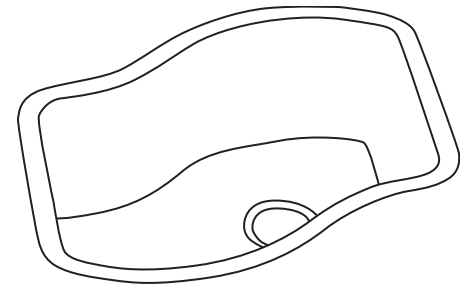
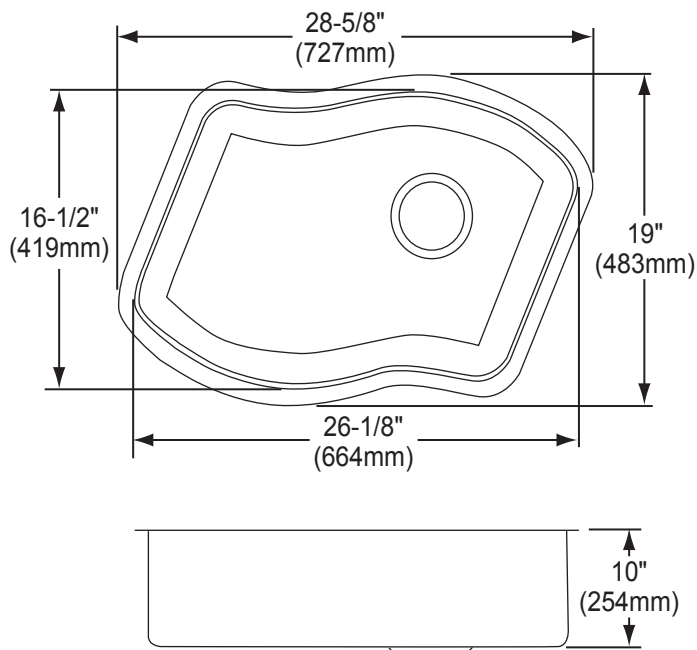
Sinks are listed by IAPMO[®] as meeting the applicable requirements of the Uniform Plumbing Code[®], International Plumbing Code[®], and National Plumbing Code of Canada.

SINK DIMENSIONS*

Model Number	Overall		Inside Bowl			Cutout in Countertop	Minimum Cabinet Size
	L	W	L	W	D		
MYSTIC2920	28 ⁵ / ₈ (727mm)	19 (483mm)	26 ¹ / ₈ (664mm)	16 ¹ / ₂ (419mm)	10 (254mm)	See Template**	33 (838mm)

* Length is left to right. Width is front to back.

** Template 1000001377 is packed with every sink.

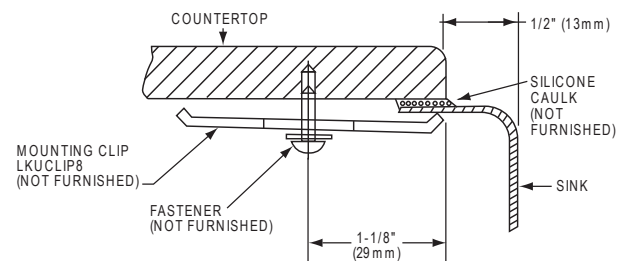


Model MYSTIC2920



Installation Profile

The template provided with each sink provides the only type of installation recommended by Elkay.



In keeping with our policy of continuing product improvement, Elkay reserves the right to change product specifications without notice. Please visit elkay.com for the most current version of Elkay product specification sheets.

This specification describes an Elkay product with design, quality, and functional benefits to the user. When making a comparison of other producers' offerings, be certain these features are not overlooked.

ELKAY[®]

SPECIFICATIONS

The Mystic[®] by Elkay Undermount Sink Model MYSTIC2920

OPTIONAL ACCESSORIES

Mounting Clips: LKUCLIP8

Utensil Caddy for Rinsing Basket: LKWUCSS

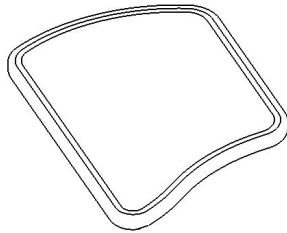
Drain: LK99

For Additional Accessories see table below

Model Number	Description	Overall			Material/Finish
		L	W	Depth/Thickness	
LKCB2616HW	Cutting Board**	13 (330mm)	17¼ (438mm)	1 (25mm)	Hardwood

* Length is left to right. Width is front to back.

** Sink must be installed with 1/2" reveal for cutting board to fit properly.



LKCB2616HW