

ELKAY® SPECIFICATIONS

Avado™ Collection Undermount Single Bowl Sink Model EFRU191610

GENERAL

Highest quality sink formed of #16 (1.6mm) gauge, type 304 (18-8) nickel bearing stainless steel.

DESIGN FEATURES

Bowl Depth: 10" (254mm).

Coved Corners: Approximately 5/8" (15mm).

Finish: Exposed surfaces are polished to a bright satin finish.

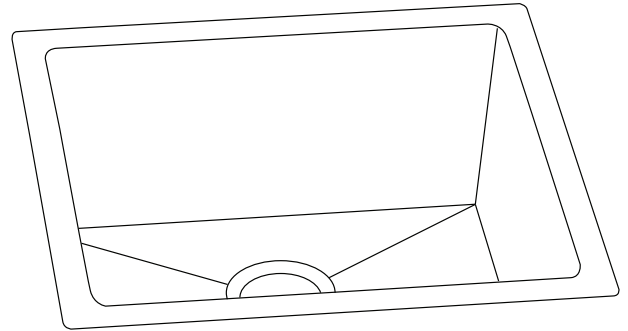
Underside: Fully protected by heavy duty Sound Guard® under-coating designed to reduce condensation and dampen sound.

OTHER

Drain Opening: 3-1/2" (89mm).

NOTE: All Elkay undermount sinks are designed to attach to the underside of any solid surface countertop.

This sink complies with ASME A112.19.3.



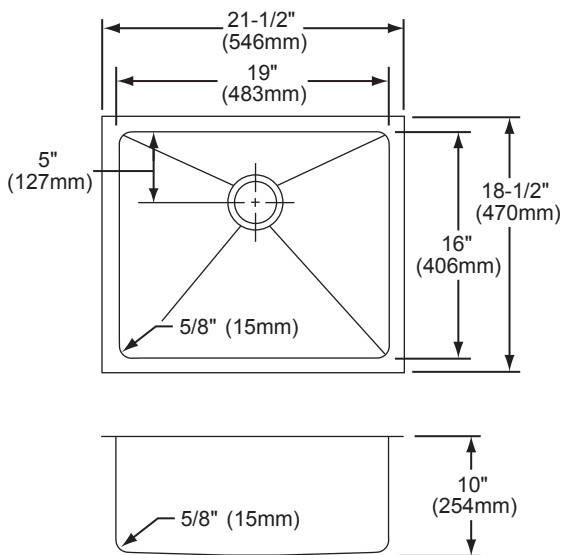
Model EFRU191610

SINK DIMENSIONS*

Model Number	Overall		Inside Bowl			Cutout in Countertop	Minimum Cabinet Size
	L	W	L	W	D		
EFRU191610	21 1/2 (546mm)	18 1/2 (470mm)	19 (483mm)	16 (406mm)	10 (254mm)	See Template**	27 (686mm)

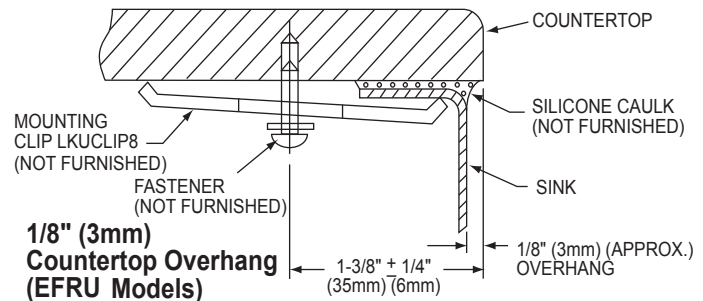
*Length is left to right. Width is front to back.

**Template is packed with every sink.



Model EFRU191610 Illustrated

Installation Profile of EFRU Models
The template provided with each EFRU sink provides the only type of installation recommended by Elkay



In keeping with our policy of continuing product improvement, Elkay reserves the right to change product specifications without notice. Please visit elkayusa.com for most current version of Elkay product specification sheets.

This specification describes an Elkay product with design, quality and functional benefits to the user. When making a comparison of other producers' offerings, be certain these features are not overlooked.

Elkay

elkayusa.com

2222 Camden Court
Oak Brook, IL 60523

Printed in U.S.A.
©2009 Elkay

(Rev. 05/09)

1-265B

ELKAY® SPECIFICATIONS

Avado™ Collection
Undermount Single Bowl Sink
Model EFRU191610

OPTIONAL ACCESSORIES

Mounting Clips: LKUCLIP8

Utensil Caddy for Rinsing Basket: LKWUCSS

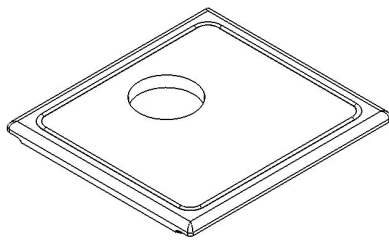
Drain: LK99

For Additional Accessories see table below

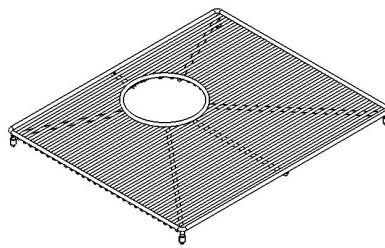
Model Number	Description	Overall			Material/Finish
		L	W	Depth/Thickness	
LKCBF1916HW	Cutting Board**	18-1/2" (470mm)	16-7/8" (429mm)	1" (25mm)	Hardwood
LKFOBG1916SS	Bottom Grid	18" (457mm)	15" (381mm)	1-1/8" (29mm)	Polished stainless steel
LKFRB1916SS	Rinsing Basket	18" (457mm)	15" (381mm)	5 5/16" (135mm)	Polished stainless steel

*Length is left to right. Width is front to back.

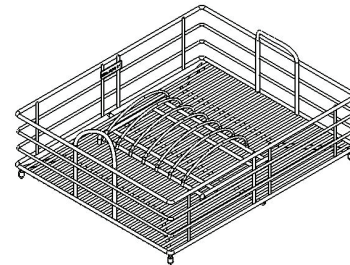
** Fits countertop opening



LKCBF1916HW



LKFOBG1916SS



LKFRB1916SS

In keeping with our policy of continuing product improvement, Elkay reserves the right to change product specifications without notice. Please visit elkayusa.com for most current version of Elkay product specification sheets.

This specification describes an Elkay product with design, quality and functional benefits to the user. When making a comparison of other producers' offerings, be certain these features are not overlooked.

Elkay

elkayusa.com

2222 Camden Court
Oak Brook, IL 60523

Printed in U.S.A.
©2009 Elkay

(Rev. 05/09)

1-265B