

# ELKAY<sup>®</sup>

## SPECIFICATIONS

### Gourmet E-Granite Universal Mount Single Bowl Sink Models ELG1515 Series

#### GENERAL

Molded with up to 85% natural quartz and high performance acrylic resins. E-Granite is non-porous and resists staining. E-Granite is hard enough to resist scratches and chips, is naturally sound deadened, and heat resistant. The color is solid throughout the sink and is UV resistant to prevent color-fading in indoor applications. Universal mount sinks can be installed as a top mount or undermount. Both types of clips are provided.

#### DESIGN FEATURES

Bowl Depth: 8" (203mm).  
Rim Height: 3/8" (10mm).  
Fastening Method: For top mount application, utilize clips (see illustration "A" below). For undermount application, utilize undermount clips (see illustration "B" below).  
Color Options with natural accents: Black (BK), Bisque (BQ), Dusk Gray (GY), Mocha (MC), or White (WH).

#### OTHER

Drain Opening: 3-1/2" (89mm).  
Note: All Elkay universal mount sinks are designed to affix to the underside of any solid surface countertop.

Sink complies with CSA B45.5/ IAPMO 2124

 Sinks are listed by IAPMO<sup>®</sup> as meeting the applicable requirements of the Uniform Plumbing Code<sup>®</sup>, International Plumbing Code<sup>®</sup>, and National Plumbing Code of Canada.

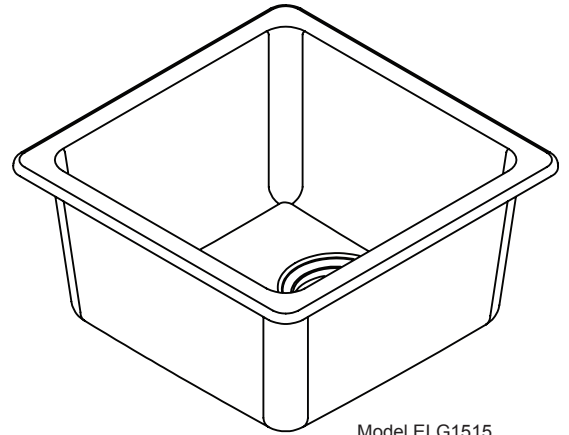
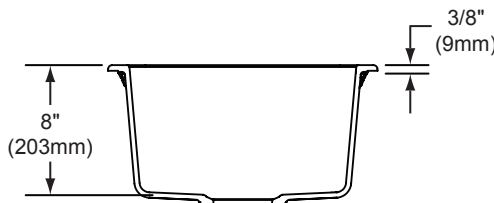
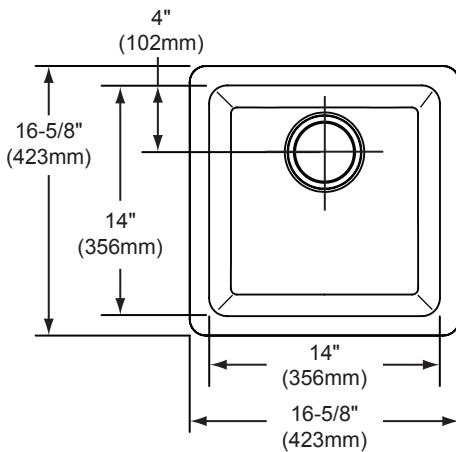
#### OPTIONAL ACCESSORIES

Drain: LKD35, LKS35  
Rinsing Basket: LKWRB1209SS  
Utensil Caddy for Rinsing Basket: LKWUCSS

#### SINK DIMENSIONS\*

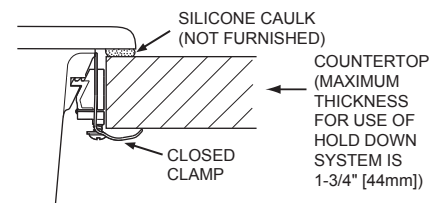
Model Number	Overall		Inside Bowl			Cutout in Countertop for topmount installation 1" (25mm) Radius Corners		Minimum Cabinet Size
	L	W	L	W	D	L	W	
ELG1515	16-5/8 (423mm)	16-5/8 (423mm)	14 (356mm)	14 (356mm)	8 (203mm)	16 (406mm)	16 (406mm)	21 (533mm)

\*Length is left to right. Width is front to back.  
\*\*Template (0000001435) for undermount applications and countertop mounting clips are packed with every sink.  
\*\*\*Top mount template 0000001436 (available by contacting customer service).

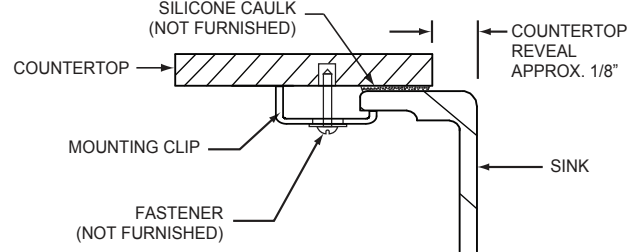


Model ELG1515

#### Cross Profile of Installation A



#### Cross Profile of Installation B



**FOR SINKS PURCHASED PRIOR TO OCT. 1, 2012, SEE NEXT PAGE FOR DETAILS.**

In keeping with our policy of continuing product improvement, Elkay reserves the right to change product specifications without notice. Please visit [elkay.com](http://elkay.com) for the most current version of Elkay product specification sheets.

This specification describes an Elkay product with design, quality, and functional benefits to the user. When making a comparison of other producers' offerings, be certain these features are not overlooked.

# ELKAY<sup>®</sup>

## SPECIFICATIONS

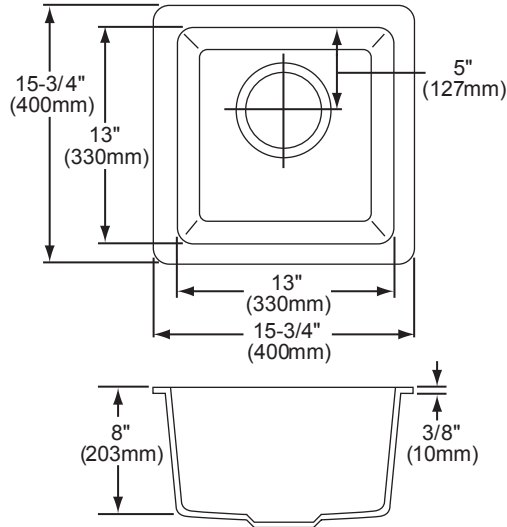
### Gourmet E-Granite Universal Mount Single Bowl Sink Models ELG1515 Series

#### SINK DIMENSIONS\*

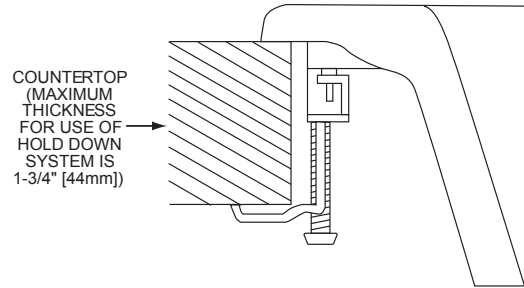
Model Number	Overall		Inside Bowl			Cutout in Countertop for topmount installation 1" (25mm) Radius Corners		Minimum Cabinet Size
	L	W	L	W	D	L	W	
ELG1515	15-3/4 (400mm)	15-3/4 (400mm)	13 (330mm)	13 (330mm)	8 (203mm)	14-7/8 (378mm)	14-7/8 (378mm)	21 (533mm)

\*Length is left to right. Width is front to back.

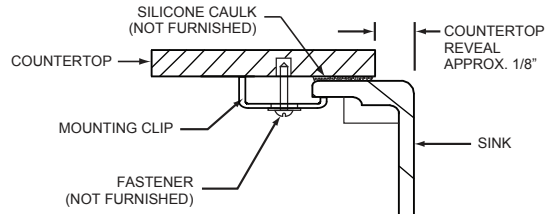
\*\*For sinks purchased prior to Oct. 1, 2012 use template 74180488 (available by contacting customer service).



Cross Profile of Installation A



Cross Profile of Installation B



In keeping with our policy of continuing product improvement, Elkay reserves the right to change product specifications without notice. Please visit [elkay.com](http://elkay.com) for the most current version of Elkay product specification sheets.

This specification describes an Elkay product with design, quality, and functional benefits to the user. When making a comparison of other producers' offerings, be certain these features are not overlooked.