

DAYTON[®] SPECIFICATIONS

Dayton[®] Undermount Single Bowl Sink Model DXUH1618

GENERAL

Sink is formed of #18 gauge, 300 series nickel bearing stainless steel. Undermount.

DESIGN FEATURES

Bowl Depth: 8" (203mm).

Finish: Exposed surfaces are polished to a Radiant Satin finish.

Underside: Sound dampening pads with spray under coating to dampen sound and reduce condensation.

OTHER

Drain Opening: 3-1/2" (89mm).

NOTE: All Dayton undermount sinks are designed to affix to the underside of any solid surface countertop.

OPTIONAL ACCESSORIES

Bottom Grid: GBG1415SS

Cutting Board: CB1516 (sink must be installed with a 1/2" reveal for cutting board to fit properly)

Drain: D1125

Rinsing Basket: LKWRB1316SS, LKWERBSS

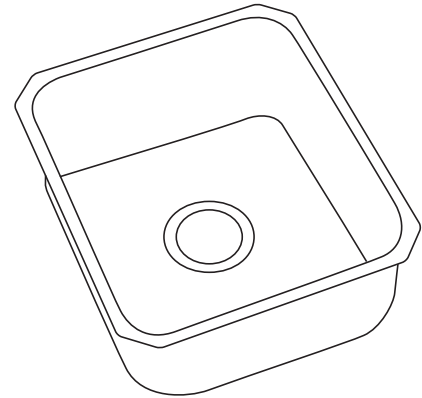
Utensil Caddy: LKWUCSS

Mounting Clip: LKUCLIP8

Template: 64180274

Sink complies with ASME A112.19.3/ CSA B45.4

 Sinks are listed by IAPMO[®] as meeting the applicable requirements of the Uniform Plumbing Code[®], International Plumbing Code[®], and National Plumbing Code of Canada.

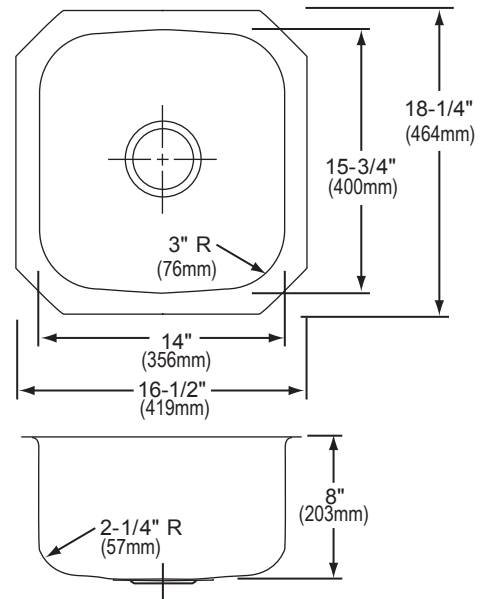


Model DXUH1618

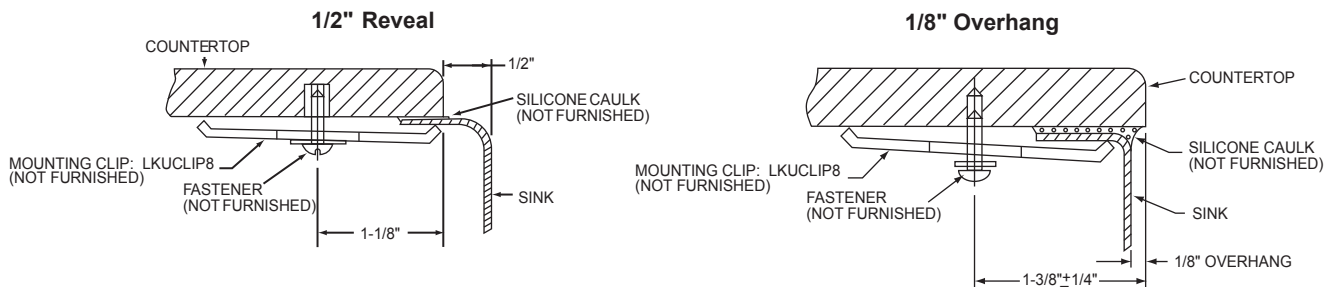
SINK DIMENSIONS (INCHES)*

Model Number	Overall		Inside Bowl			Minimum Cabinet Size
	L	W	L	W	D	
DXUH1618	16 1/2 (419 mm)	18 1/4 (464 mm)	14 (356 mm)	15 3/4 (451 mm)	8 (203 mm)	21 (533 mm)

*Length is left to right. Width is front to back.



Electronic Dual Template Mounting Option (Download DXF File from www.elkaypro.com)



In keeping with our policy of continuing product improvement, Elkay reserves the right to change product specifications without notice. Please visit elkayusa.com for most current version of Elkay product specification sheets.

This specification describes an Elkay product with design, quality and functional benefits to the user. When making a comparison of other producers' offerings, be certain these features are not overlooked.