

# ELKAY<sup>®</sup>

## SPECIFICATIONS

### Pursuit™ Outdoor Undermount Sinks Models PODUH Series

#### GENERAL

Highest quality sink formed of #18 (1.2mm) gauge, type 316 nickel bearing stainless steel and corrosion resistant mounting brackets. Undermount.

#### DESIGN FEATURES

Bowl Depth: 9-7/8" (251mm) (PODUH141810); 7-1/2" (191mm) (PODUH2816).

Coved Corners: 1-3/4" (44mm) vertical and horizontal radius.

Finish: Exposed surfaces are hand blended to a Lustrous Satin finish.

Underside: Fully protected by heavy duty enhanced Sound Guard<sup>®</sup> Plus undercoating to dampen sound and reduce condensation.

#### OTHER

Drain Opening: 3-1/2" (89mm).

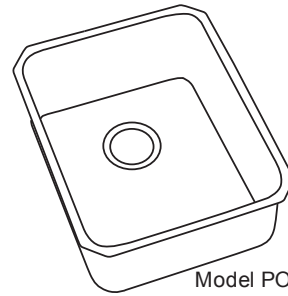
Recommended Drain: LK335, LK372.

NOTE: All Elkay undermount sinks are designed to affix to the underside of any solid surface countertop.

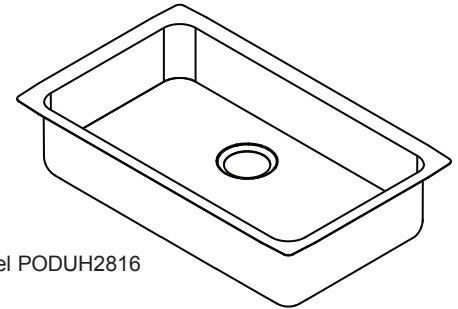
Installation: See illustrated profile below.

Sink complies with ASME A112.19.3/ CSA B45.4

 Sinks are listed by IAPMO<sup>®</sup> as meeting the applicable requirements of the Uniform Plumbing Code<sup>®</sup>, International Plumbing Code<sup>®</sup>, and National Plumbing Code of Canada.



Model PODUH141810



Model PODUH2816

#### SINK DIMENSIONS\*

Model Number	Overall		Inside Bowl			Cutout Template	Minimum Cabinet Size
	L	W	L	W	D		
PODUH141810	16 <sup>1/2</sup> (419mm)	20 <sup>1/2</sup> (521mm)	14 (356mm)	18 (457mm)	9-7/8 (251mm)	1000001307	21 (533mm)
PODUH2816	30 <sup>1/2</sup> (775mm)	18 <sup>1/2</sup> (470mm)	28 (711mm)	16 (406mm)	7 <sup>1/2</sup> (191mm)	1000001414	36 (914mm)

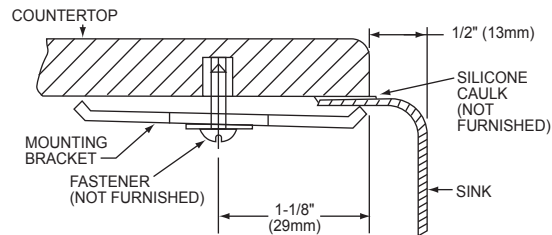
\* Length is left to right. Width is front to back.

\*\* Template and corrosion resistant mounting brackets are packed with every sink.



#### Installation Profile

The template provided with each PODUH sink provides the only type of installation recommended by Elkay.



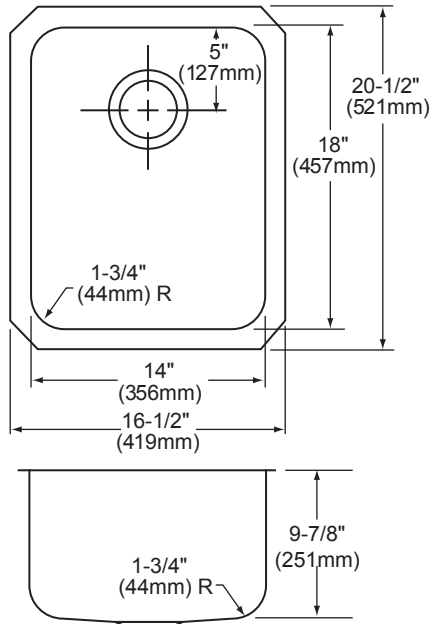
SEE NEXT PAGE FOR PRODUCT DIMENSIONS.

*In keeping with our policy of continuing product improvement, Elkay reserves the right to change product specifications without notice. Please visit [elkay.com](http://elkay.com) for the most current version of Elkay product specification sheets.*

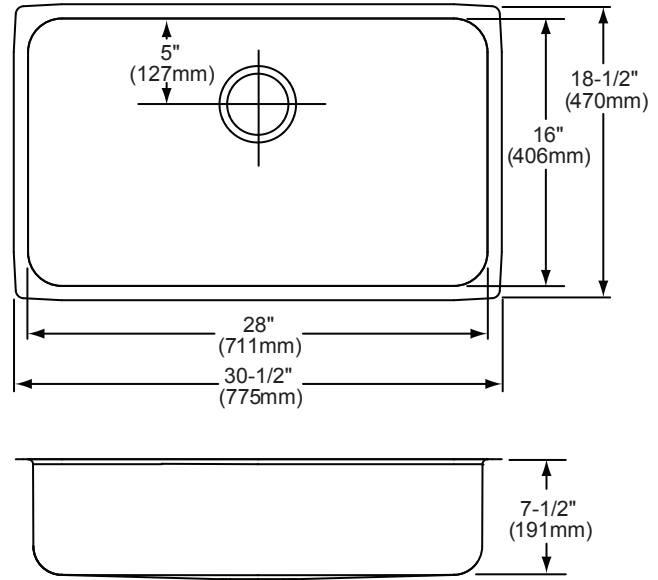
*This specification describes an Elkay product with design, quality, and functional benefits to the user. When making a comparison of other producers' offerings, be certain these features are not overlooked.*

**Pursuit™ Outdoor Undermount Sinks**  
**Models PODUH Series**

**ELKAY®**  
**SPECIFICATIONS**



Model PODUH141810 Illustrated



Model PODUH2816 Illustrated

*In keeping with our policy of continuing product improvement, Elkay reserves the right to change product specifications without notice. Please visit [elkay.com](http://elkay.com) for the most current version of Elkay product specification sheets.*

*This specification describes an Elkay product with design, quality, and functional benefits to the user. When making a comparison of other producers' offerings, be certain these features are not overlooked.*