

# ELKAY<sup>®</sup>

## SPECIFICATIONS

### Gourmet Lustertone<sup>®</sup> Undermount Single Bowl Sink Model ELUHAD Series - A.D.A. Compliant

#### GENERAL

Highest quality sink formed of #18 (1.2mm) gauge, type 304 (18-8) nickel bearing stainless steel. Undermount.

#### DESIGN FEATURES

ELUHAD Bowl Depth: 4-1/2" (114mm), 5" (127mm) or 5-1/2" (140mm)

Finish: Exposed surfaces are hand polished to a Lustrous Highlighted Satin finish.

Underside: Sound dampening pads with spray undercoating to dampen sound and reduce condensation.

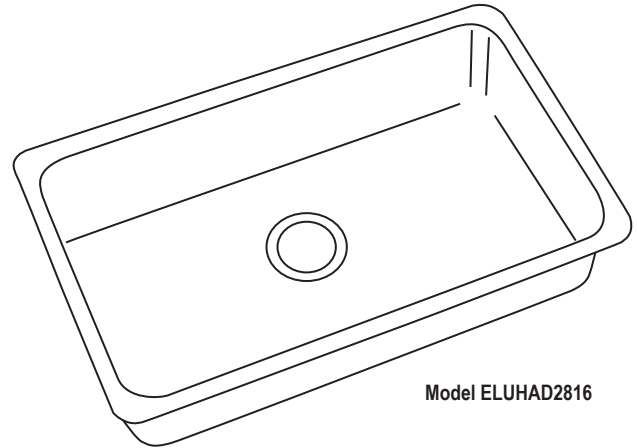
#### OTHER

Drain Opening: 3-1/2" (89mm) center rear location.

NOTE: All Elkay undermount sinks are designed to attach to the underside of any solid surface countertop.

Sink complies with ASME A112.19.3/ CSA B45.4

 Sinks are listed by IAPMO<sup>®</sup> as meeting the applicable requirements of the Uniform Plumbing Code<sup>®</sup>, International Plumbing Code<sup>®</sup>, and National Plumbing Code of Canada.



Model ELUHAD2816

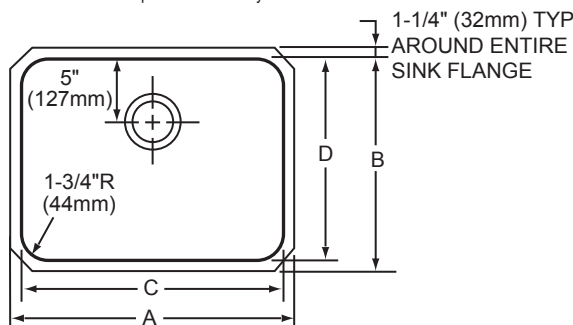
#### SINK DIMENSIONS\*

Model Number	Overall		Inside Each Bowl			Cutout in Countertop	Template Packed with Every Sink	Minimum Cabinet Size
	Length	Width	Length	Width	Depth			
	A	B	C	D				
ELUHAD1116	14 (356mm)	18-1/2 (470mm)	11-1/2 (292mm)	16 (406mm)	**	See template packed with sink.	1000001422	18 (457mm)
ELUHAD1212	14-1/2 (368mm)	14-1/2 (368mm)	12 (305mm)	12 (305mm)	**		1000001423	18 (457mm)
ELUHAD1316	16 (406mm)	18-1/2 (470mm)	13-1/2 (343mm)	16 (406mm)	**		1000001399	21 (533mm)
ELUHAD1414	16-1/2 (419mm)	16-1/2 (419mm)	14 (356mm)	14 (356mm)	**		1000001307	21 (533mm)
ELUHAD1418	16-1/2 (419mm)	20-1/2 (521mm)	14 (356mm)	18 (457mm)	**		1000001307	21 (533mm)
ELUHAD1616	18-1/2 (470mm)	18-1/2 (470mm)	16 (406mm)	16 (406mm)	**		1000001420	24 (610mm)
ELUHAD1916	21-1/2 (546mm)	18-1/2 (470mm)	19 (483mm)	16 (406mm)	**		1000001424	27 (686mm)
ELUHAD2115	23-1/2 (597mm)	18-1/4 (464mm)	21 (533mm)	15-3/4 (400mm)	**		1000001400	27 (686mm)
ELUHAD2816	30-1/2 (795mm)	18-1/2 (470mm)	28 (711mm)	16 (406mm)	**		1000001414	36 (914mm)

\* Length is left to right. Width is front to back.

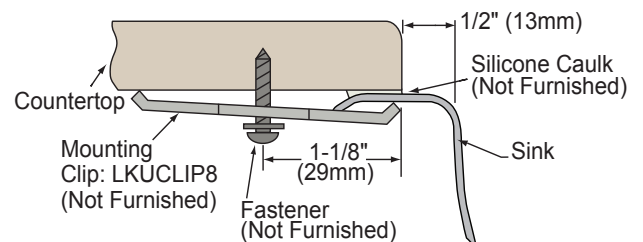
\*\* Available in 4-1/2" (114mm), 5" (127mm) or 5-1/2" (140mm).

\*\*\*Template #1000001307 is packed with every sink.



#### Installation Profile of ELUHAD Double Bowl Models

The template provided with each ELUHAD sink provides the only type of installation recommended by Elkay.



#### Installation Profile 1/2" (13mm) Reveal

In keeping with our policy of continuing product improvement, Elkay reserves the right to change product specifications without notice. Please visit [elkay.com](http://elkay.com) for the most current version of Elkay product specification sheets.

This specification describes an Elkay product with design, quality, and functional benefits to the user. When making a comparison of others producers offerings, be certain these features are not overlooked.