

ELKAY® SPECIFICATIONS

Gourmet Undermount Single Bowl Sink Model ELUH1116

NEW ELUH Installation Options

ELUH models have been redesigned to accommodate 1/2" reveal and no reveal installation options.

GENERAL

Highest quality sink formed of #18 (1.2mm) gauge, type 304 (18-8) nickel bearing stainless steel. Undermount.

DESIGN FEATURES

Bowl Depth: 7-7/8" (200mm).

Coved Corners: 1-3/4" (44mm) vertical and horizontal radius.

Finish: Exposed surfaces are hand polished to a Lustrous

Highlighted Satin finish.

Underside: Fully protected by heavy duty Sound Guard® undercoating to reduce condensation and dampen sound.

OTHER

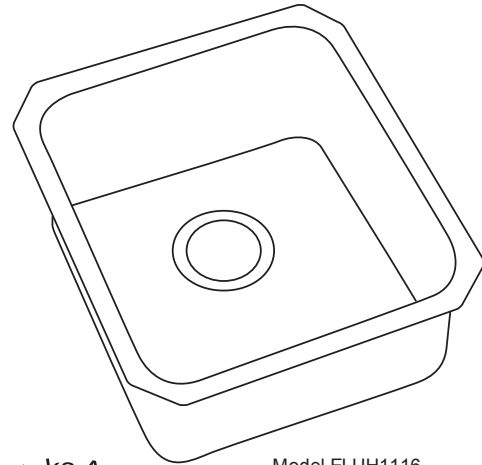
Drain Opening: 3-1/2" (89mm).

Note: All Elkay undermount sinks are designed to affix to the underside of any solid surface countertop.

Sink complies with ASME A112.19.3/ CSA B45.4



Sinks are listed by IAPMO® as meeting the applicable requirements of the Uniform Plumbing Code®, International Plumbing Code®, and National Plumbing Code of Canada.



Model ELUH1116



OPTIONAL ACCESSORIES

Bottom Grid: LKWOBG1116SS

Drain: LK99

Mounting Clip: LKUCLIP8

Rinsing Basket: LKW RB1116SS

Utensil Caddy for Rinsing Basket: LKWUCSS

SINK PACKAGE(S)

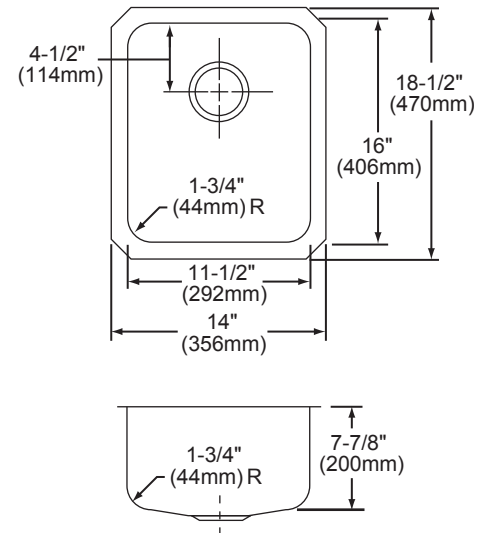
MODEL	SINK	BOTTOM GRID	QTY	DRAIN	QTY
ELUH1116DBG	ELUH1116	LKWOBG1116SS	1	LK99	1

SINK DIMENSIONS*

Model Number	Overall		Inside Bowl			Cutout in Countertop	Minimum Cabinet Size
	L	W	L	W	D		
ELUH1116	14 (356mm)	18 1/2 (470mm)	11 1/2 (292mm)	16 (406mm)	7 7/8 (200mm)	See Template**	18 (457mm)

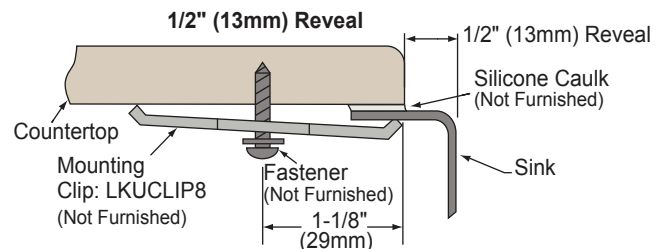
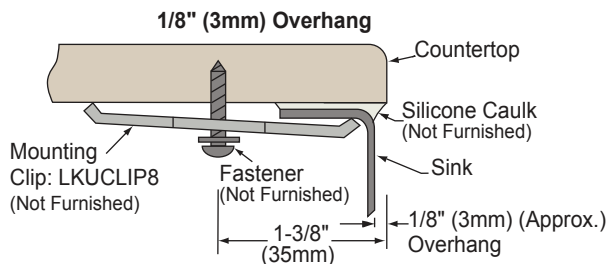
*Length is left to right. Width is front to back.

**Template #1000001422 is packed with every sink.



ELUH1116 Illustrated

Installation Profile



In keeping with our policy of continuing product improvement, Elkay reserves the right to change product specifications without notice. Please visit elkay.com for the most current version of Elkay product specification sheets.

This specification describes an Elkay product with design, quality, and functional benefits to the user. When making a comparison of other producers' offerings, be certain these features are not overlooked.