

ELKAY[®]

SPECIFICATIONS

Avado™ Double Bowl Sink Undermount with Work Bench™ Model EFULB331810CDB

GENERAL

Highest quality sink fabricated of #16 gauge (1.6mm), type 304(18-8) nickel-bearing stainless steel. Reversible design allows the sink to be rotated so the small bowl may be on the left or right. Undermount.

DESIGN FEATURE

Bowl Depth: 10" (254mm)

Coved Corners: Zero radius.

Finish: Exposed surfaces have a polished satin finish.

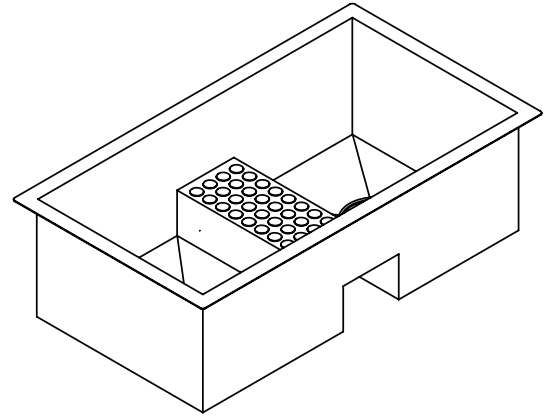
Underside: Fully protected by heavy duty Sound Guard[®] undercoating designed to reduce condensation and dampen sound.

Work Bench Height: 4" (102mm)

OTHER

Drain Opening: 3-1/2" (89mm)

Sink complies with ASME A112.19.3-2008 / CSA B45.4-08



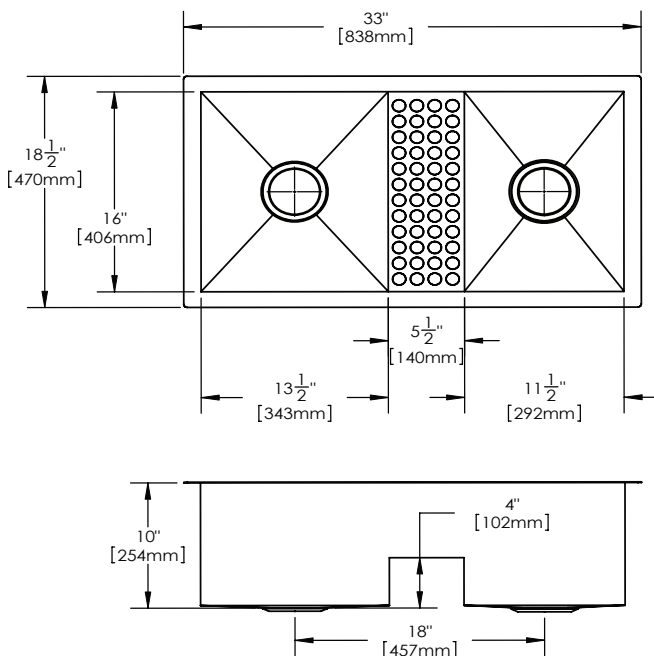
Model EFULB331810CDB

SINK DIMENSIONS* (INCHES)

Model Number	Overall		Inside Large Bowl			Inside Small Bowl			Cutout in Countertop	Minimum Cabinet Size
	L	W	L	W	D	L	W	D		
EFULB331810CDB	33 (838mm)	18 1/2 (470mm)	13 1/2 (343mm)	16 (406mm)	10 (254mm)	11 1/2 (292mm)	16 (406mm)	10 (254mm)	See template**	36 (914mm)

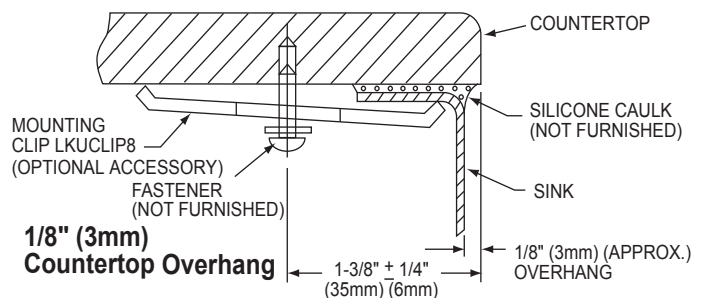
*Length is left to right. Width is front to back.

**Template packed with sink.



Installation Profile

The template provided with sink provides the only type of installation recommended by Elkay.



In keeping with our policy of continuing product improvement, Elkay reserves the right to change product specifications without notice. Please visit elkayusa.com for most current version of Elkay product specification sheets.

This specification describes an Elkay product with design, quality, and functional benefits to the user. When making a comparison of others producers offerings, be certain these features are not overlooked.

ELKAY[®]

SPECIFICATIONS

Avado™ Double Bowl Sink Undermount with Work Bench™ Model EFULB331810CDB

Mounting Clips: LKUCLIP8 (2 packages recommended)

Utensil Caddy for Rinsing Basket: LKWUCSS

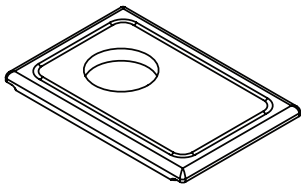
Drain: LK99

For Additional Accessories, see table below.

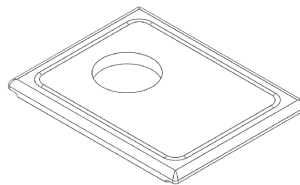
Model #	Description	Bowl	Overall			Material / Finish
			L	W	Depth/Thickness	
LKCBF1316HW	Cutting Board**	Left	13 1/4 (337mm)	16 7/8 (429mm)	1 (25mm)	Hardwood
LKCBF1116HW	Cutting Board**	Right	11 1/4 (286mm)	16 7/8 (429mm)	1 (25mm)	Hardwood
LKFBG1316SS	Bottom Grid	Left	12 1/2 (318mm)	15 (381mm)	1 1/8 (29mm)	Polished Stainless Steel
LKFBG1116SS	Bottom Grid	Right	10 1/2 (267mm)	15 (381mm)	1 1/8 (29mm)	Polished Stainless Steel
LKFRB1316SS	Rinsing Basket	Left	12 1/2 (318mm)	15 (381mm)	4 3/16 (106mm)	Polished Stainless Steel
LKFRB1116SS	Rinsing Basket	Right	10 1/2 (267mm)	15 (381mm)	4 3/16 (106mm)	Polished Stainless Steel

*Length is left to right. Width is front to back.

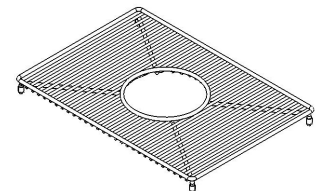
**Fits Countertop opening.



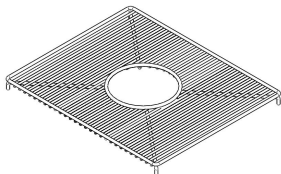
LKCBF1116HW



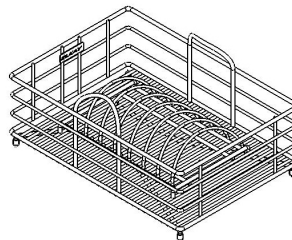
LKCBF1316HW



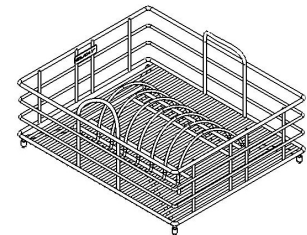
LKFBG1116SS



LKFBG1316SS



LKFRB1116SS



LKFRB1316SS

In keeping with our policy of continuing product improvement, Elkay reserves the right to change product specifications without notice. Please visit elkayusa.com for most current version of Elkay product specification sheets.

This specification describes an Elkay product with design, quality, and functional benefits to the user. When making a comparison of others producers offerings, be certain these features are not overlooked.