

ELKAY[®]

SPECIFICATIONS

Gourmet Undermount Double Bowl Sink with Work Shelf Models ELUHWS1418 and ELUHWS141810

NEW ELUH Installation Options

ELUH models have been redesigned to accommodate 1/2" reveal and no reveal installation options.

GENERAL

Highest quality sink formed of #18 (1.2mm) gauge, type 304 (18-8) nickel bearing stainless steel. **LKWS1418SS** Work Shelf included. Undermount.

DESIGN FEATURES

Bowl Depth: 7-7/8" (200mm) (ELUHWS1418); 10" (254mm) (ELUHWS141810).

Coved Corners: 1-3/4" (44mm) vertical and horizontal radius.

Finish: Exposed surfaces are hand blended to a Lustrous

Highlighted Satin finish.

Underside: Underside of sink is fully protected by heavy duty Sound Guard[®] undercoating to reduce condensation and dampen sound.

Smart Support System: Located 4-1/2" (114mm) from the top of the sink in the large bowl to allow use of the **LKWS1418SS** Work Shelf.

OTHER

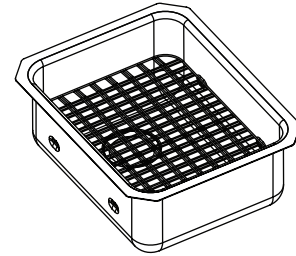
Drain Opening: 3-1/2" (89mm).

NOTE: All Elkay undermount sinks are designed to affix to the underside of any solid surface countertop.

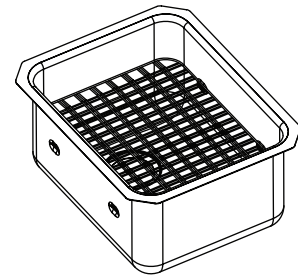
Sink complies with ASME A112.19.3/ CSA B45.4



Sinks are listed by IAPMO[®] as meeting the applicable requirements of the Uniform Plumbing Code[®], International Plumbing Code[®], and National Plumbing Code of Canada.



Model ELUHWS1418



Model ELUHWS141810

ACCESSORIES*

Model Number	Description	Overall			Material/Finish
		L	W	Depth/Thickness	
LKWS1418SS	Work Shelf	13 ¹³ / ₁₆ " (351mm)	17 ³ / ₄ " (451mm)	1/4" (6mm)	Polished Stainless Steel

*Length is left to right. Width is front to back.

OPTIONAL ACCESSORIES

Bottom Grid: LKWOBG1418SS

Cutting Boards: (All cutting boards for reveal mount only) CBR1418, CBS1418

Drain: LK99

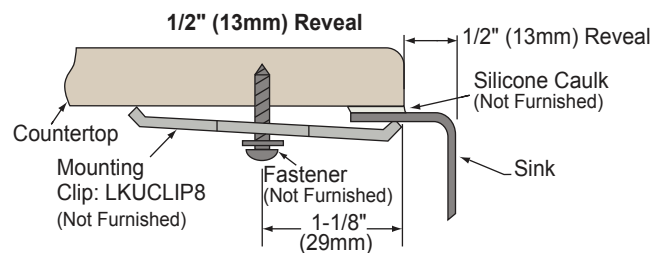
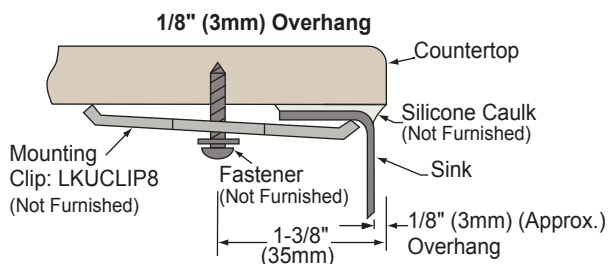
Mounting Clip: LKUCLIP8

Rinsing Baskets: LKWWRB1418SS, LKWWRBSS

Utensil Caddy for Rinsing Basket: LKWUCSS



Installation Profile



In keeping with our policy of continuing product improvement, Elkay reserves the right to change product specifications without notice. Please visit elkay.com for the most current version of Elkay product specification sheets.

This specification describes an Elkay product with design, quality, and functional benefits to the user. When making a comparison of other producers' offerings, be certain these features are not overlooked.

**Gourmet Undermount
Double Bowl Sink with Work Shelf
Models ELUHWS1418 and ELUHWS141810**

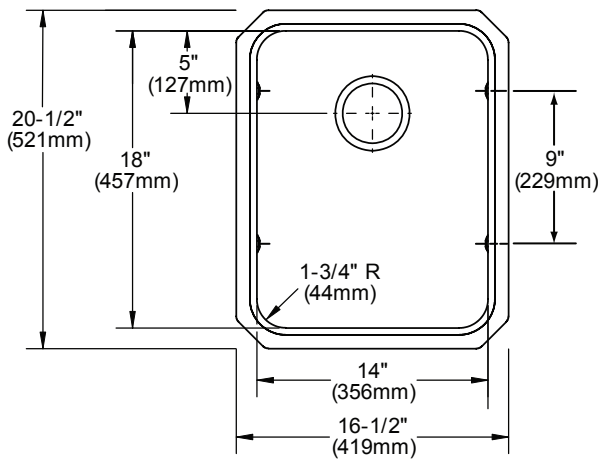
**ELKAY®
SPECIFICATIONS**

SINK DIMENSIONS*

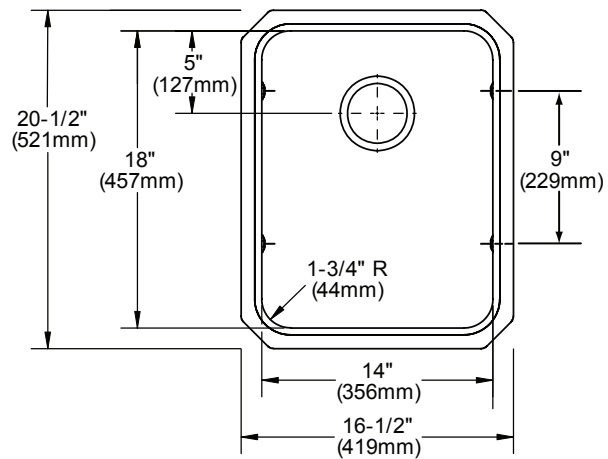
Model Number	Overall		Inside Bowl			Cutout in Countertop	Minimum Cabinet Size
	L	W	L	W	D		
ELUHWS1418	16 ¹ / ₂ (419mm)	20 ¹ / ₂ (521mm)	14 (356mm)	18 (457mm)	7 ⁷ / ₈ (200mm)	See Template**	21 (533mm)
ELUHWS141810	16 ¹ / ₂ (419mm)	20 ¹ / ₂ (521mm)	14 (356mm)	18 (457mm)	10 (254mm)		21 (533mm)

*Length is left to right. Width is front to back.

**Template #1000001307 is packed with every sink.



Model ELUHWS1418



Model ELUHWS141810

In keeping with our policy of continuing product improvement, Elkay reserves the right to change product specifications without notice. Please visit elkay.com for the most current version of Elkay product specification sheets.

This specification describes an Elkay product with design, quality, and functional benefits to the user. When making a comparison of other producers' offerings, be certain these features are not overlooked.