

ELKAY® SPECIFICATIONS

Explore Fine Fireclay Undermount Sink Models SWUF32189 Series

GENERAL

Double bowl kitchen farm sink manufactured from fine fireclay with a durable porcelain glaze. This combination of materials provides a finish that is non-porous and resists staining. Undermount.

DESIGN FEATURES

Bowl Depth: 9" (229mm)

Apron Height: 10-1/8" (257mm).

Material: Fine Fireclay with porcelain glaze.

Color Options: Gloss White (WH) or Matte Terra Cotta (TC) or Biscuit (BI).

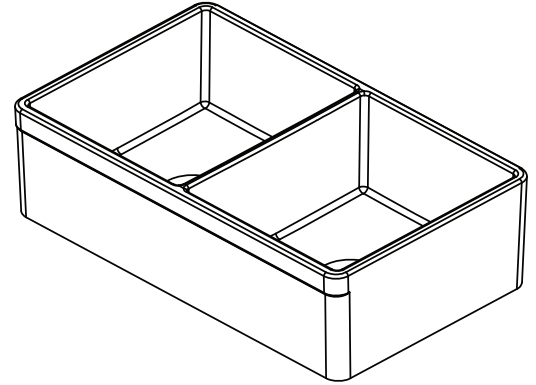
OTHER

Drain Opening: 3-1/2" (89mm).

Note: All Elkay undermount sinks are designed to affix to the underside of any solid surface countertop.

Installation: Support frame (not furnished) is necessary.

Sink complies with ASME A112.19.2-2008/CSA B45.1-08.



Model SWUF32189

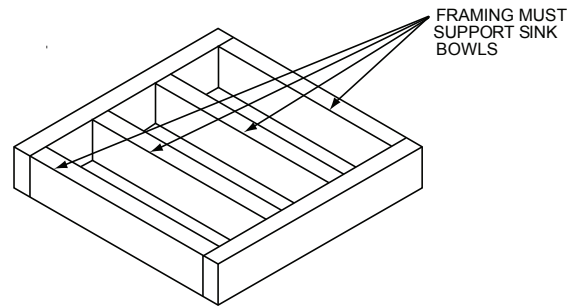
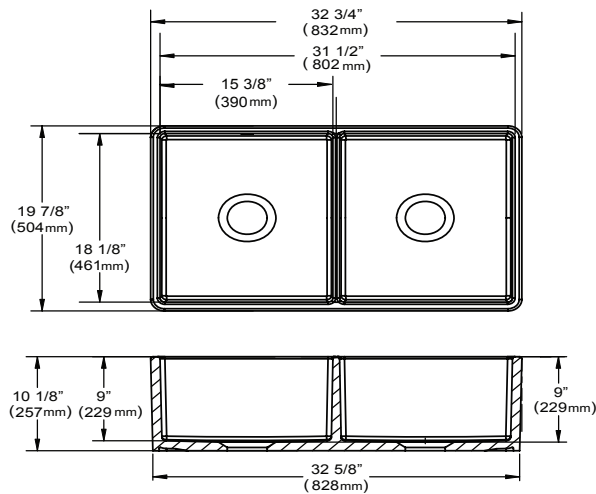
SINK DIMENSIONS*

Model Number	Overall			Left Bowl			Right Bowl			Drain Opening	Cutout in Countertop	Minimum Cabinet Size
	L	W	D	L	W	D	L	W	D			
SWUF32189	32 3/4" (832mm)	19 7/8" (504mm)	10 1/8" (257mm)	15 3/8" (390mm)	18 1/8" (461mm)	9" (229mm)	15 3/8" (390mm)	18 1/8" (461mm)	9" (229mm)	3 1/2" (89mm)	Use Sink as Template	36† (914mm)

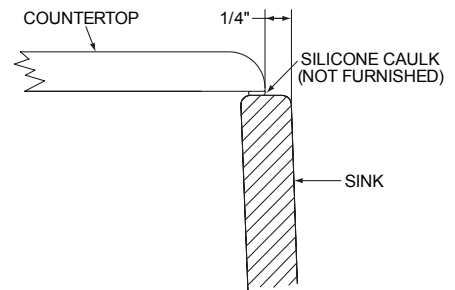
*Length is left to right. Width is front to back.

† Due to the size and installation method, a custom cabinet may be required.

Due to the manufacturing process, the sink dimensions are approximate and may vary.



Recommended Installation Profile

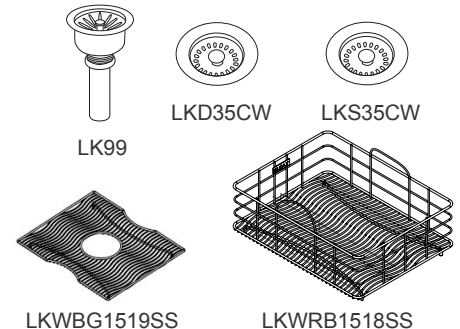


OPTIONAL ACCESSORIES*

Utensil Caddy for Rinsing Basket: LKWUCSS

For Additional Accessories see table below.

Model Number	Description	Overall			Material / Finish
		L	W	Depth / Thickness	
LK99	Drain	Fits 3 1/2" (89mm) Drain Opening			Polished Stainless Steel
LKD35CW	Drain	Fits 3 1/2" (89mm) Drain Opening			Polymer/Cameo White
LKS35CW	Drain	Fits 3 1/2" (89mm) Drain Opening			Polymer/Cameo White
LKWBG1519SS	Bottom Grid	14 1/8" (357mm)	16 5/8" (422mm)	1 1/8" (29mm)	Polished Stainless Steel
LKWRB1518SS	Rinsing Basket	12" (305mm)	15 3/4" (400mm)	7" (178mm)	Polished Stainless Steel



In keeping with our policy of continuing product improvement, Elkay reserves the right to change product specifications without notice.

This specification describes an Elkay product with design, quality and functional benefits to the user. When making a comparison of other producers' offerings, be certain these features are not overlooked.

Elkay

elkayusa.com

2222 Camden Court
Oak Brook, IL 60523

©2013 Elkay

(10/13) 1-354B