

ELKAY[®]

SPECIFICATIONS

Harmony™ Undermount Single Bowl Sink Model ELUH1618

IMPORTANT! ELU / ELUH Update

ELUH models have been redesigned to accommodate 1/2" reveal and no reveal installation options. ELU models should be ordered as ELUH.

GENERAL

Highest quality sink formed of #18 (1.2mm) gauge, type 304 (18-8) nickel bearing stainless steel. Undermount.

DESIGN FEATURES

Bowl Depth: 9-1/2" (241mm).

Finish: Exposed surfaces are hand blended to a Lustrous Highlighted Satin finish.

Underside: Underside of sink is fully protected by heavy duty Sound Guard[®] undercoating to reduce condensation and dampen sound.

OTHER

Drain Opening: 3-1/2" (89mm).

Note: All Elkay undermount sinks are designed to affix to the underside of any solid surface countertop.

Sink complies with ASME A112.19.3/ CSA B45.4



Sinks are listed by IAPMO[®] as meeting the applicable requirements of the Uniform Plumbing Code[®], International Plumbing Code[®], and National Plumbing Code of Canada.

OPTIONAL ACCESSORIES

Bottom Grid: LKWOBG1618SS.

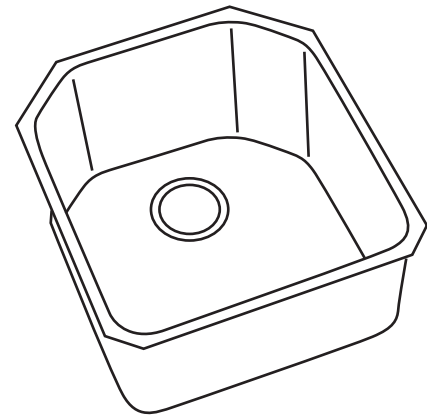
Cutting Boards: CB1713, CBS1316 (ELUH model only).

Drain: LK99.

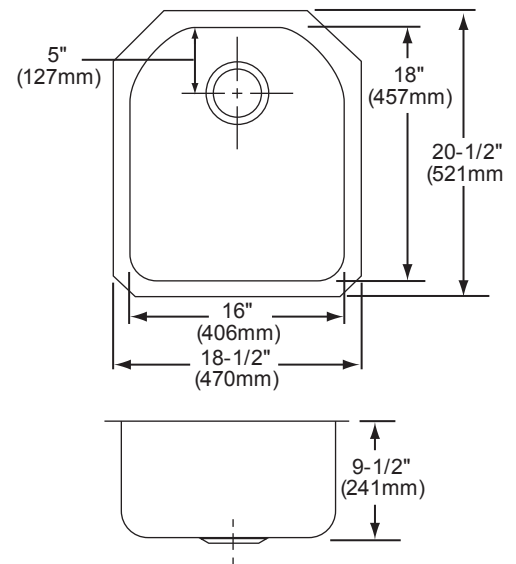
Rinsing Baskets: LKWWRB1618SS, LKWERBSS.

Utensil Caddy for Rinsing Basket: LKWUCSS.

Mounting Clip: LKUCLIP8



Model ELUH1618



ELUH1618 Illustrated

SINK PACKAGE(S)

1

MODEL	SINK	BOTTOM GRID	QTY	DRAIN	QTY
ELUH1618DBG	ELUH1618	LKWOBG1618SS	1	LK99	

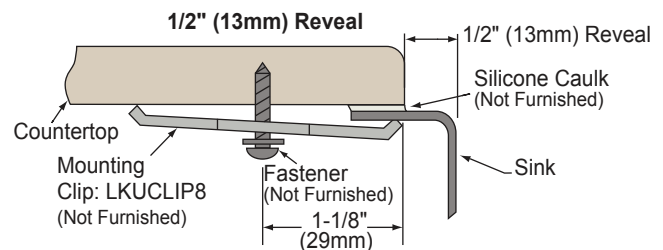
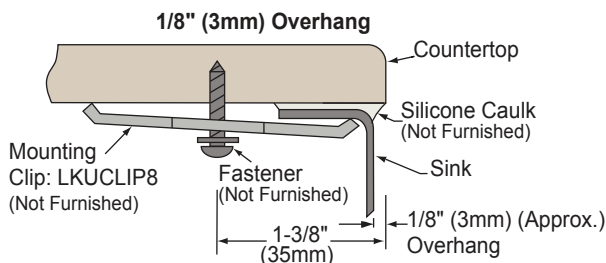
SINK DIMENSIONS*

Model Number	Overall		Inside Bowl			Cutout in Countertop	Minimum Cabinet Size
	L	W	L	W	D		
ELUH1618	18 1/2 (470mm)	20 1/2 (521mm)	16 (406mm)	18 (457mm)	9 1/2 (241mm)	See Template**	24 (610mm)

*Length is left to right. Width is front to back.

**Template #1000001420 packed with every sink.

Installation Profile



In keeping with our policy of continuing product improvement, Elkay reserves the right to change product specifications without notice. Please visit elkay.com for the most current version of Elkay product specification sheets.

This specification describes an Elkay product with design, quality, and functional benefits to the user. When making a comparison of other producers' offerings, be certain these features are not overlooked.