

ELKAY® SPECIFICATIONS

Gourmet Undermount Double Bowl Sink Model ELUH361710

NEW ELUH Installation Options

ELUH models have been redesigned to accommodate 1/2" reveal and no reveal installation options.

GENERAL

Highest quality sink formed of #18 (1.2mm) gauge, type 304 (18-8) nickel bearing stainless steel. Undermount.

DESIGN FEATURES

Bowl Depth: 10" (254mm).

Finish: Exposed surfaces are hand blended to a Lustrous Highlighted Satin finish.

Underside: Underside of sink is fully protected by heavy duty Sound Guard® undercoating to reduce condensation and dampen sound.

OTHER

Drain Opening: 3-1/2" (89mm).

NOTE: All Elkay undermount sinks are designed to affix to the underside of any solid surface countertop.

Sink complies with ASME A112.19.3/ CSA B45.4



Sinks are listed by IAPMO® as meeting the applicable requirements of the Uniform Plumbing Code®, International c® Plumbing Code®, and National Plumbing Code of Canada.

OPTIONAL ACCESSORIES

Bottom Grid: LKWOBG1616SS

Cutting Boards: (Reveal mount only) CB1713, CBS1316

Drain: LK99

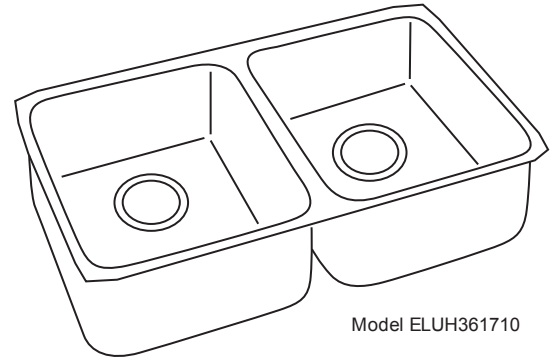
Mounting Clip: LKUCLIP8 (2 packages required)

Rinsing Baskets: LKWRB1316SS, LKWERBSS

Utensil Caddy for Rinsing Basket: LKWUCSS

SINK PACKAGE(S)

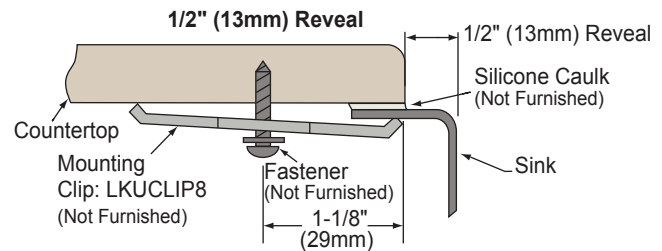
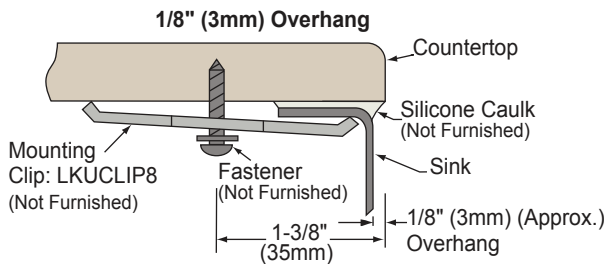
MODEL	SINK	BOTTOM GRID	QTY	DRAIN	QTY
ELUH361710DBG	ELUH361710	LKWOBG1616SS	1	LK99	1



Model ELUH361710



Installation Profile



In keeping with our policy of continuing product improvement, Elkay reserves the right to change product specifications without notice. Please visit elkay.com for the most current version of Elkay product specification sheets.

This specification describes an Elkay product with design, quality, and functional benefits to the user. When making a comparison of other producers' offerings, be certain these features are not overlooked.

ELKAY[®]

SPECIFICATIONS

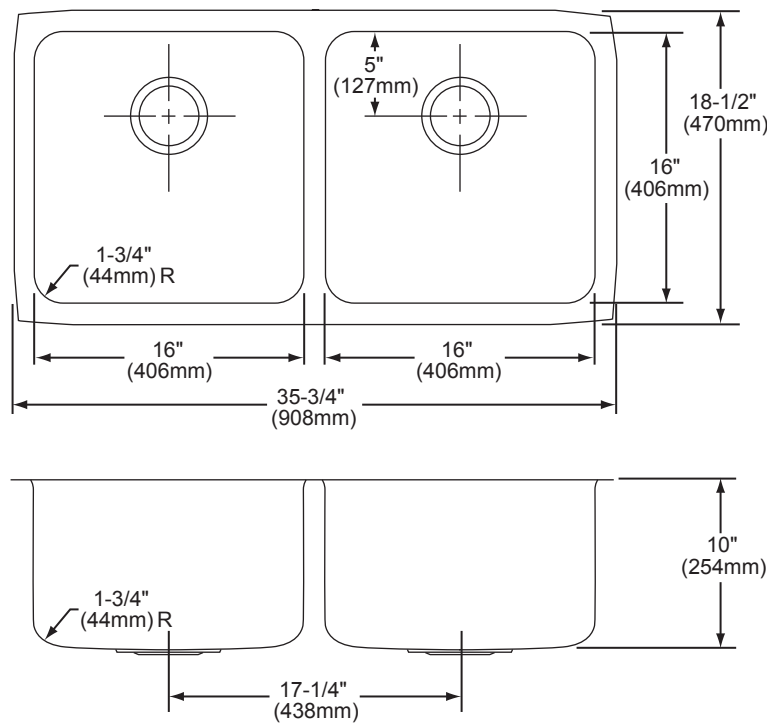
Gourmet Undermount Double Bowl Sink Model ELUH361710

SINK DIMENSIONS*

Model Number	Overall		Inside Each Bowl			Cutout in Countertop	Minimum Cabinet Size
	L	W	L	W	D		
ELUH361710	35 ³ / ₄ (908mm)	18 ¹ / ₂ (470mm)	16 (406mm)	16 (406mm)	10 (254mm)	See Template**	39 (991mm)

*Length is left to right. Width is front to back.

**Template #1000001293 is packed with every sink.



Model ELUH361710

In keeping with our policy of continuing product improvement, Elkay reserves the right to change product specifications without notice. Please visit elkay.com for the most current version of Elkay product specification sheets.

This specification describes an Elkay product with design, quality, and functional benefits to the user. When making a comparison of other producers' offerings, be certain these features are not overlooked.