

# ELKAY®

## SPECIFICATIONS

### Gourmet Undermount Single Bowl Sink with Apron Model ELUHF2520

#### NEW ELUH Installation Options

ELUH models have been redesigned to accommodate 1/2" reveal and no reveal installation options.

#### GENERAL

Highest quality sink, with integral apron, formed of #18 (1.2mm) gauge, type 304 (18-8) nickel bearing stainless steel. Undermount.

#### DESIGN FEATURES

Bowl Depth: 7-7/8" (200mm).

Apron Height: 8" (203mm).

Coved Corners: 1-3/4" (44mm).

Finish: Exposed surfaces are hand blended to a Lustrous Highlighted Satin finish.

Underside: Underside of sink is fully protected by heavy duty Sound Guard® undercoating to reduce condensation and dampen sound.

#### OTHER

Drain Opening: 3-1/2" (89mm).

NOTE: All Elkay undermount sinks are designed to affix to the underside of any solid surface countertop.

Installation: See illustrated profile below.

Sink complies with ASME A112.19.3/ CSA B45.4

 Sinks are listed by IAPMO® as meeting the applicable requirements of the Uniform Plumbing Code®, International Plumbing Code®, and National Plumbing Code of Canada.

#### OPTIONAL ACCESSORIES

Bottom Grid: LKWOBG2115SS

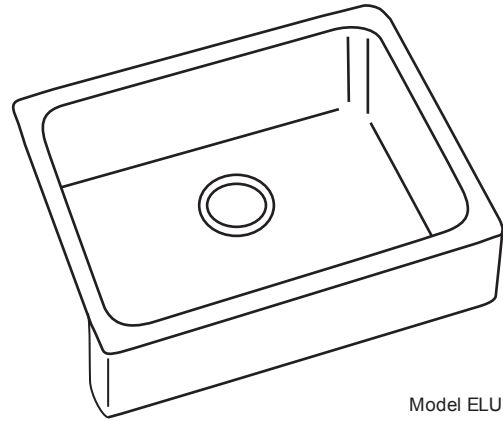
Cutting Board: (Reveal mount only) CB1516

Drain: LK99

Rinsing Basket: LKWRB2115SS, LKWERBSS

Utensil Caddy for Rinsing Basket: LKWUCSS

Mounting Clip: LKUCLIP8



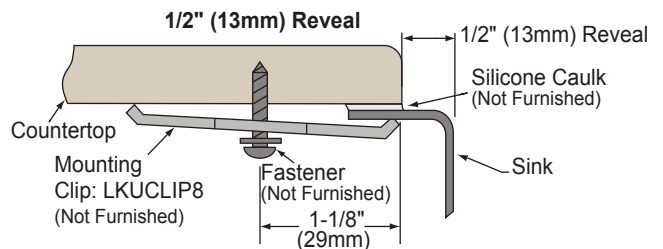
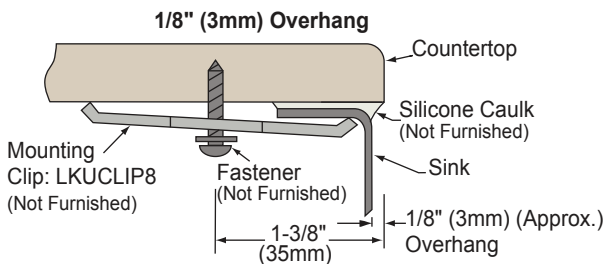
Model ELUHF2520



#### SINK PACKAGE(S)

| MODEL        | SINK      | BOTTOM GRID  | QTY | DRAIN | QTY |
|--------------|-----------|--------------|-----|-------|-----|
| ELUHF2520DBG | ELUHF2520 | LKWOBG2115SS | 1   | LK99  | 1   |

#### Installation Profile



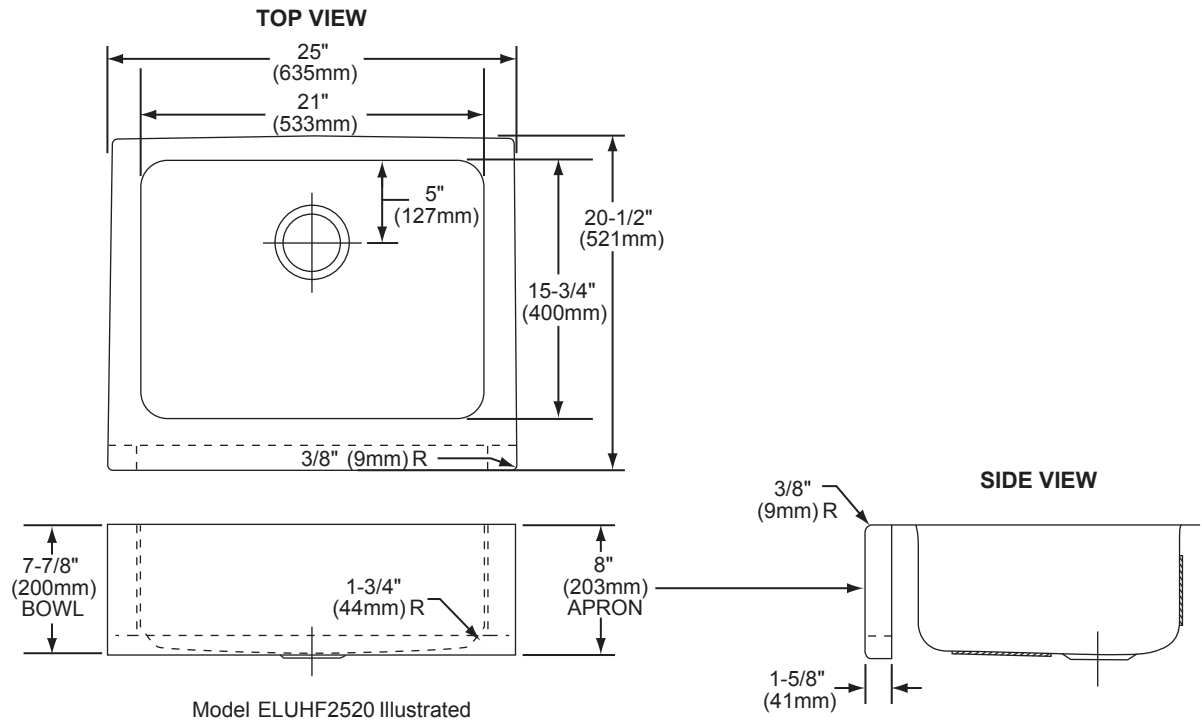
In keeping with our policy of continuing product improvement, Elkay reserves the right to change product specifications without notice. Please visit [elkay.com](http://elkay.com) for the most current version of Elkay product specification sheets.

This specification describes an Elkay product with design, quality, and functional benefits to the user. When making a comparison of other producers' offerings, be certain these features are not overlooked.

#### SINK DIMENSIONS\*

| Model Number | Overall       |   | Inside Bowl   |   |  | Minimum Cabinet Size |
|--------------|---------------|---|---------------|---|--|----------------------|
|              | L             | W   | L             | W   | D  |                      |
| ELUHF2520    | 25<br>(635mm) | 20 <sup>1</sup> / <sub>2</sub><br>(521mm) | 21<br>(533mm) | 15 <sup>3</sup> / <sub>4</sub><br>(400mm) | 7 <sup>7</sup> / <sub>8</sub><br>(200mm) | 30<br>(762mm)        |

\*Length is left to right. Width is front to back.



In keeping with our policy of continuing product improvement, Elkay reserves the right to change product specifications without notice. Please visit [elkay.com](http://elkay.com) for the most current version of Elkay product specification sheets.

This specification describes an Elkay product with design, quality, and functional benefits to the user. When making a comparison of other producers' offerings, be certain these features are not overlooked.