

ELKAY[®]

SPECIFICATIONS

Gourmet Undermount Double Bowl Sink Models ELUH3220 and ELUH322010

NEW ELUH Installation Options

ELUH models have been redesigned to accommodate 1/2" reveal and no reveal installation options.

GENERAL

Highest quality sink formed of #18 (1.2mm) gauge, type 304 (18-8) nickel bearing stainless steel. Undermount.

DESIGN FEATURES

Bowl Depth: 7-7/8" (200mm) (ELUH3220); 9-7/8" (251mm) (ELUH322010).

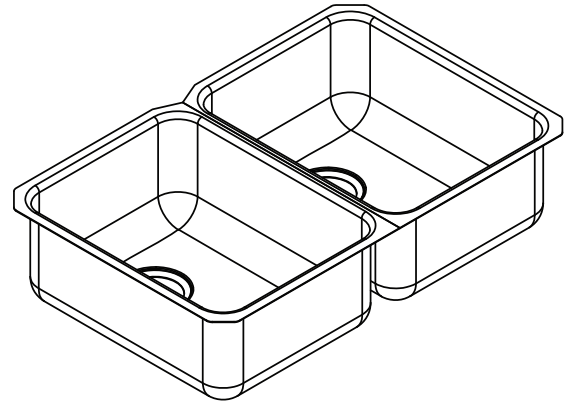
Coved Corners: 1-3/4" (44mm) vertical and horizontal radius.
Finish: Exposed surfaces are hand blended to a Lustrous Highlighted Satin finish.

Underside: Underside of sink is fully protected by heavy duty Sound Guard[®] undercoating to reduce condensation and dampen sound.

OTHER

Drain Opening: 3-1/2" (89mm).

NOTE: All Elkay undermount sinks are designed to affix to the underside of any solid surface countertop.



Model ELUH3220

Sink complies with ASME A112.19.3/ CSA B45.4



Sinks are listed by IAPMO[®] as meeting the applicable requirements of the Uniform Plumbing Code[®], International Plumbing Code[®], and National Plumbing Code of Canada.

OPTIONAL ACCESSORIES

Bottom Grid: LKWOBG1418SS

Cutting Boards: (All cutting boards for reveal mount only) CBR1418, CBS1418

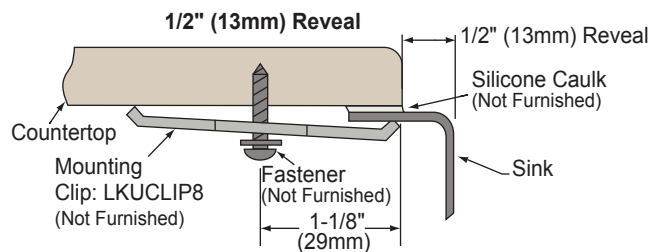
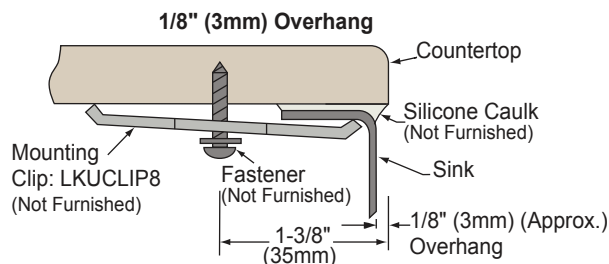
Drain: LK99

Mounting Clip: LKUCLIP8 (2 packages required)

Rinsing Baskets: LKWRB1418SS, LKWERBSS

Utensil Caddy for Rinsing Basket: LKWUCSS

Installation Profile



In keeping with our policy of continuing product improvement, Elkay reserves the right to change product specifications without notice. Please visit elkay.com for the most current version of Elkay product specification sheets.

This specification describes an Elkay product with design, quality, and functional benefits to the user. When making a comparison of other producers' offerings, be certain these features are not overlooked.

Gourmet Undermount Double Bowl Sink Models ELUH3220 and ELUH322010

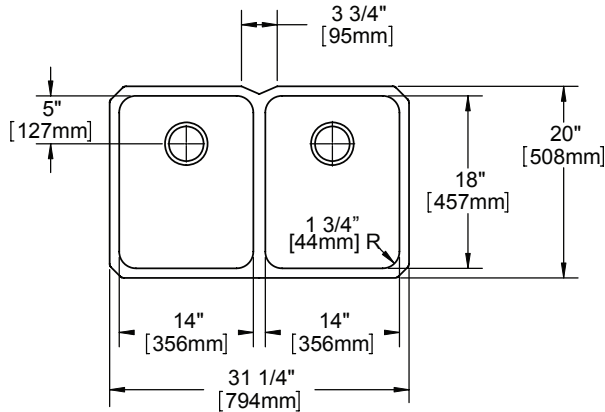
ELKAY® SPECIFICATIONS

SINK DIMENSIONS*

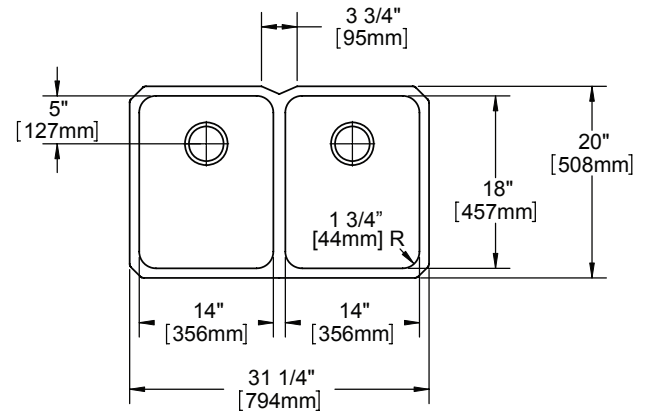
Model Number	Overall		Inside Left Bowl			Inside Right Bowl			Cutout in Countertop	Minimum Cabinet Size
	L	W	L	W	D	L	W	D		
ELUH3220	31-1/4 (794mm)	20 (508mm)	14 (356mm)	18 (457mm)	7-7/8 (200mm)	14 (356mm)	18 (457mm)	7-7/8 (200mm)	See Template**	36 (914mm)
ELUH322010	31-1/4 (794mm)	20 (508mm)	14 (356mm)	18 (457mm)	9-7/8 (251mm)	14 (356mm)	18 (457mm)	9-7/8 (251mm)	See Template**	36 (914mm)

*Length is left to right. Width is front to back.

**Template #1000001298 is packed with every sink.



ELUH3220 Illustrated



ELUH322010 Illustrated

In keeping with our policy of continuing product improvement, Elkay reserves the right to change product specifications without notice. Please visit elkay.com for the most current version of Elkay product specification sheets.

This specification describes an Elkay product with design, quality, and functional benefits to the user. When making a comparison of other producers' offerings, be certain these features are not overlooked.