

ELKAY[®]

SPECIFICATIONS

Gourmet™ Undermount Double Bowl Sink with Aqua Divide Model ELUHAQD3218

GENERAL

High quality sink formed of 18 gauge, type 304 (18-8) nickel bearing stainless steel. Undermount.

DESIGN FEATURES

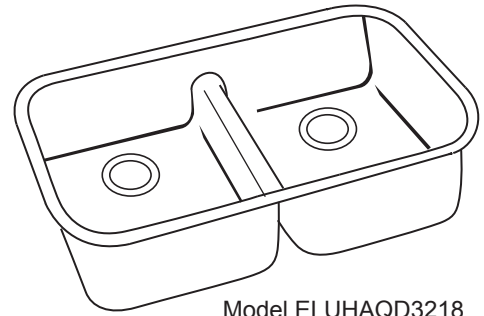
Bowl Depth: 8" (203mm);
Aqua Divide Height: 4-5/8" (117mm)
Coved Corners: 2" (51mm) vertical and 2" (51mm) horizontal radius.
Finish: Exposed surfaces are polished to a lustrous highlighted satin finish.
Underside: Underside of sink is fully protected by heavy duty Sound Guard[®] undercoating to reduce condensation and dampen sound.

OTHER

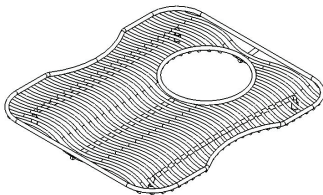
Drain Openings: 3-1/2" (89mm).
Note: All Elkay undermount sinks are designed to affix to the underside of any solid surface countertop.
This sink complies with ASME A112.19.3-2008/CSA B45.4-08.

OPTIONAL ACCESSORIES

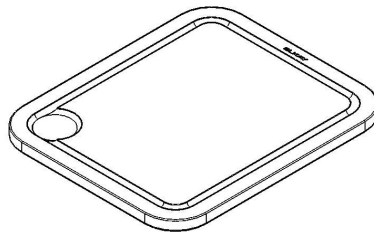
Bottom Grid: LKWOBG1416SS
Cutting Board: LKCB1216HW
Drain: LK99
Mounting Clips: LKUCLIP8 (2 packages required)
Rinsing Basket: LKWWRB1416SS, LKWWRBSS
Utensil Caddy for Rinsing Basket: LKWUCSS



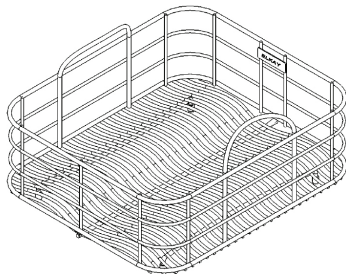
Model ELUHAQD3218



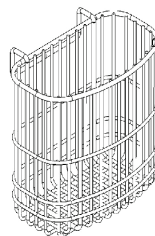
LKWOBG1416SS



LKCB1216HW



LKWWRB1416SS



LKWUCSS

In keeping with our policy of continuing product improvement, Elkay reserves the right to change product specifications without notice. Please visit elkayusa.com for most current version of Elkay product specification sheets.

This specification describes an Elkay product with design, quality, and functional benefits to the user. When making a comparison of others producers offerings, be certain these features are not overlooked.

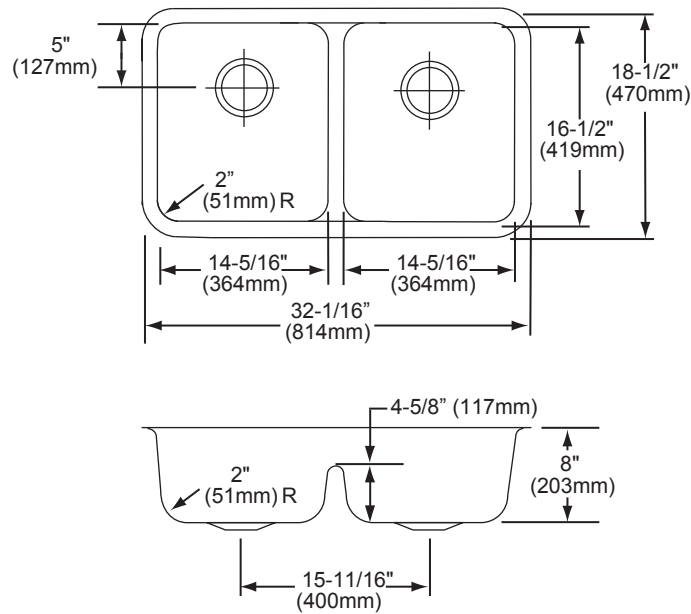
**Gourmet™ Undermount
Double Bowl Sink with Aqua Divide
Model ELUHAQD3218**

**ELKAY®
SPECIFICATIONS**

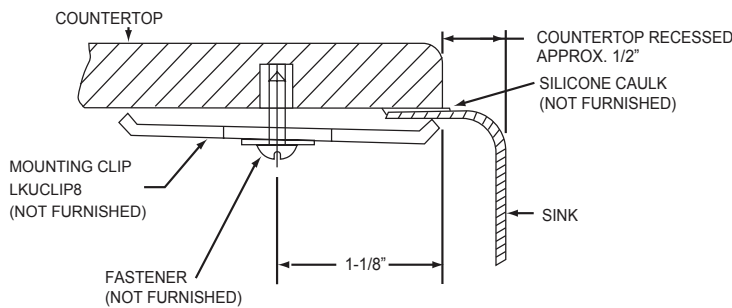
Sink Dimensions*

Model Number	Overall		Inside Bowl Dimensions (Left)			Inside Bowl Dimensions (Right)			Cutout in Countertop	Minimum Cabinet Size
	L	W	L	W	D	L	W	D		
ELUHAQD3218	32-1/16" (814 mm)	18-1/2" (470 mm)	14-5/16" (364 mm)	16-1/2" (419 mm)	8" (203 mm)	14-5/16" (364 mm)	16-1/2" (419 mm)	8" (203 mm)	See Template**	36" (914 mm)

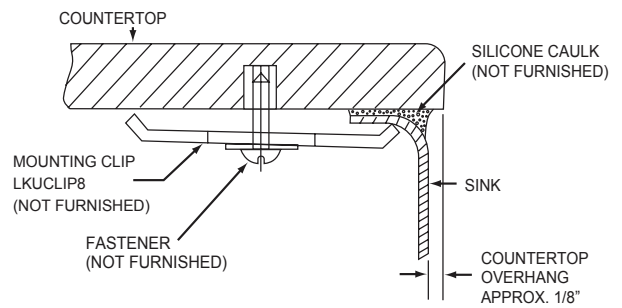
*Length is left to right. Width is front to back.
**Dual mount template is packed with sink.



DUAL TEMPLATE MOUNTING OPTIONS



1/2" SINK RIM REVEAL



1/8" COUNTERTOP OVERHANG

In keeping with our policy of continuing product improvement, Elkay reserves the right to change product specifications without notice. Please visit elkayusa.com for most current version of Elkay product specification sheets.

This specification describes an Elkay product with design, quality, and functional benefits to the user. When making a comparison of others producers offerings, be certain these features are not overlooked.