

# ELKAY®

## SPECIFICATIONS

### Gourmet Undermount Double Bowl Sink Models ELUH3121L and ELUH3121R

#### NEW ELUH Installation Options

ELUH models have been redesigned to accommodate 1/2" reveal and no reveal installation options.

#### GENERAL

Highest quality sink formed of #18 (1.2mm) gauge, type 304 (18-8) nickel bearing stainless steel. Undermount.

#### DESIGN FEATURES

Bowl Depths: 9-7/8" (251mm) (Large Bowl), 7-7/8" (200mm) (Small Bowl).

Coved Corners: 1-3/4" (44mm) vertical and horizontal radius.

Finish: Exposed surfaces are hand blended to a Lustrous Highlighted Satin finish.

Underside: Underside of sink is fully protected by heavy duty Sound Guard® undercoating to reduce condensation and dampen sound.

#### OTHER

Drain Opening: 3-1/2" (89mm).

Suffix L (left) or R (right) denotes location of the small bowl.

Note: All Elkay undermount sinks are designed to affix to the underside of any solid surface countertop.

Sink complies with ASME A112.19.3/ CSA B45.4



Sinks are listed by IAPMO® as meeting the applicable requirements of the Uniform Plumbing Code®, International Plumbing Code®, and National Plumbing Code of Canada.

#### OPTIONAL ACCESSORIES

Bottom Grids: LKWOBG1116SS (small bowl)

Cutting Boards: (Reveal mount only) CBS1316, CB1713 (large bowl)

Drain: LK99

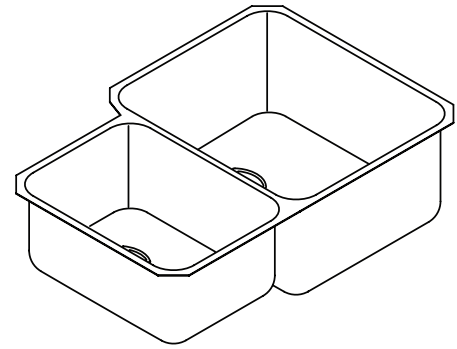
Mounting Clip: LKUCLIP8 (2 packages required)

Rinsing Baskets: LKWRB1116SS (small bowl), LKWERBSS

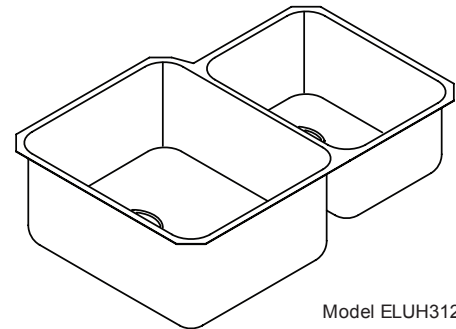
LKWRB1418SS (large bowl)

Utensil Caddy for Rinsing Basket: LKWUCSS

Template: 74180703



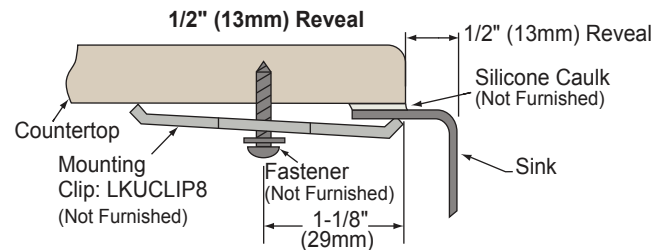
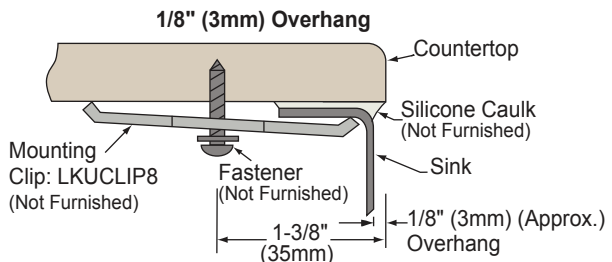
Model ELUH3121L



Model ELUH3121R



#### Installation Profile



In keeping with our policy of continuing product improvement, Elkay reserves the right to change product specifications without notice. Please visit [elkay.com](http://elkay.com) for the most current version of Elkay product specification sheets.

This specification describes an Elkay product with design, quality, and functional benefits to the user. When making a comparison of other producers' offerings, be certain these features are not overlooked.

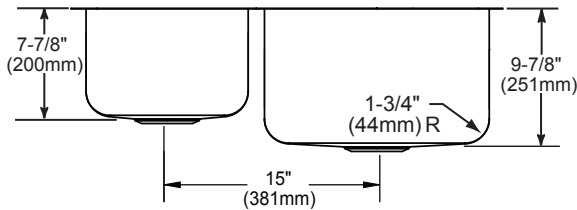
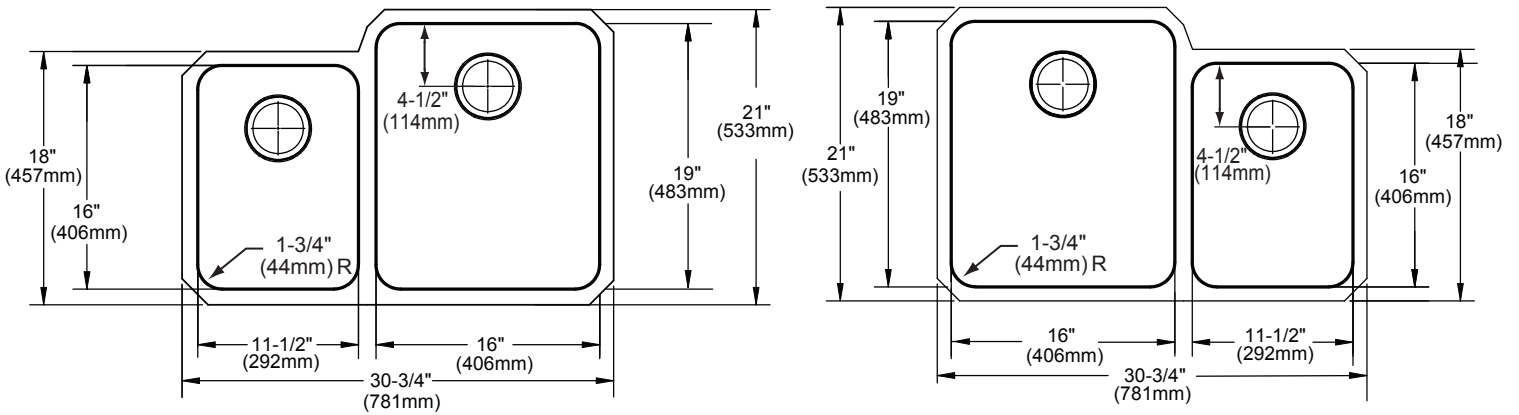
**Gourmet Undermount Double Bowl Sink  
Models ELUH3121L and ELUH3121R**

**SINK DIMENSIONS\***

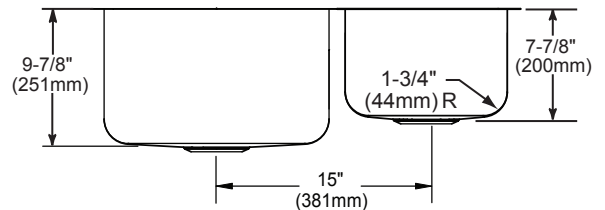
Model Number	Overall		Inside Left Bowl			Inside Right Bowl			Cutout in Countertop	Minimum Cabinet Size
	L	W	L	W	D	L	W	D		
ELUH3121L	30-3/4 (781mm)	21 (533mm)	11-1/2 (292mm)	16 (406mm)	7-7/8 (200mm)	16 (406mm)	19 (483mm)	9-7/8 (251mm)	See Template**	36 (914mm)
ELUH3121R	30-3/4 (781mm)	21 (533mm)	16 (406mm)	19 (483mm)	9-7/8 (251mm)	11-1/2 (292mm)	16 (406mm)	7-7/8 (200mm)	See Template**	36 (914mm)

\*Length is left to right. Width is front to back.

\*\*Template #1000001450(L) or #1000001451(R) is packed with every sink.



Model ELUH3121L Illustrated



Model ELUH3121R Illustrated

In keeping with our policy of continuing product improvement, Elkay reserves the right to change product specifications without notice. Please visit [elkay.com](http://elkay.com) for the most current version of Elkay product specification sheets.

This specification describes an Elkay product with design, quality, and functional benefits to the user. When making a comparison of other producers' offerings, be certain these features are not overlooked.