

# ELKAY® SPECIFICATIONS

## Gourmet Undermount Single Bowl Sink ELUH2317 Series

### NEW ELUH Installation Options

ELUH models have been redesigned to accommodate 1/2" reveal and no reveal installation options.

### GENERAL

Highest quality sink formed of #18 (1.2mm) gauge, type 304 (18-8) nickel bearing stainless steel. Undermount.

### DESIGN FEATURES

Bowl Depths: 8" (203mm) (ELUH2317); 10" (254mm) (ELUH231710); 12" (305mm) (ELU231712).

Finish: Exposed surfaces are hand polished to a Lustrous Highlighted Satin finish.

Underside: Fully protected by Sound Guard® undercoating to reduce condensation and dampen sound.

### OTHER

Drain Opening: 3-1/2" (89mm).

Note: All Elkay undermount sinks are designed to affix to the underside of any solid surface countertop.

Sink complies with ASME A112.19.3/ CSA B45.4



Sinks are listed by IAPMO® as meeting the applicable requirements of the Uniform Plumbing Code®, International Plumbing Code®, and National Plumbing Code of Canada.

### OPTIONAL ACCESSORIES

Bottom Grids: LKWOBG2317SS, LKWOBG2317LSS, LKWOBG2317RSS

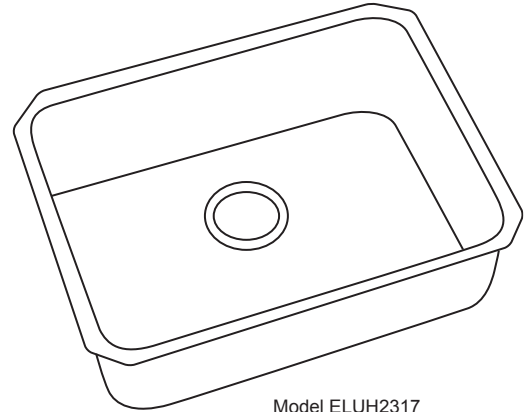
Cutting Board: (Reveal mount only) LKCB2317HW

Drain: LK99

Mounting Clip: LKUCCLIP8

Rinsing Basket: LKWRB2115SS, LKWERBSS

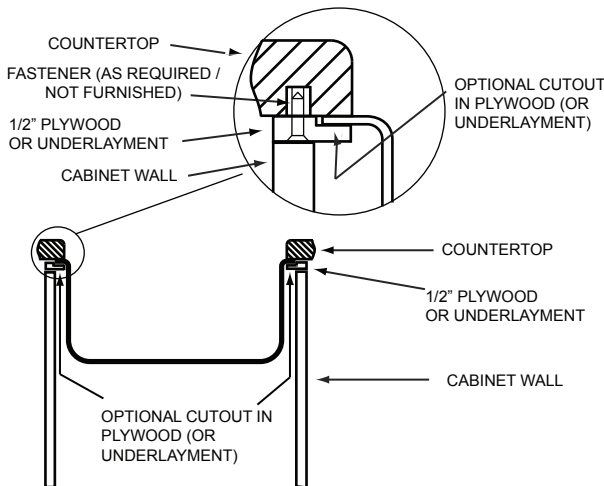
Utensil Caddy for Rinsing Basket: LKWUCSS



Model ELUH2317

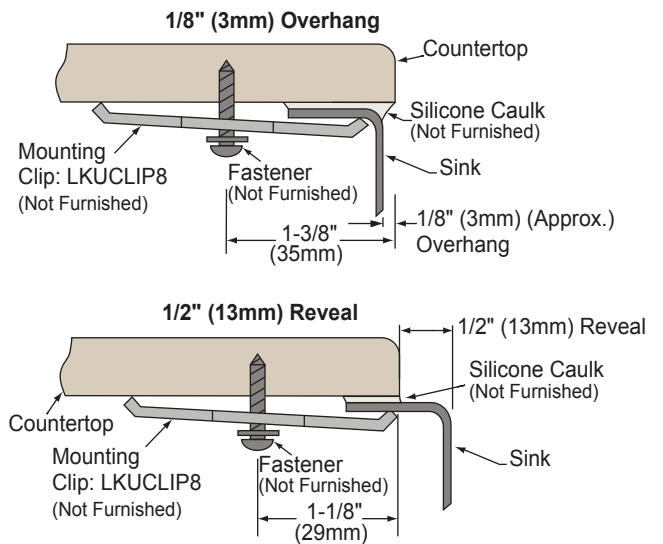


### Installation Profile for ELUH models for 27" wide cabinets (FRONT INSTALLATION VIEW)



### Installation Profile for ELUH models for 30" and wider cabinets

The template provided with each ELUH sink provides the installation recommended by Elkay for 30" wide cabinets and wider.



In keeping with our policy of continuing product improvement, Elkay reserves the right to change product specifications without notice. Please visit [elkay.com](http://elkay.com) for the most current version of Elkay product specification sheets.

This specification describes an Elkay product with design, quality, and functional benefits to the user. When making a comparison of other producers' offerings, be certain these features are not overlooked.

# Gourmet Undermount Single Bowl Sink ELUH2317 Series

# ELKAY® SPECIFICATIONS

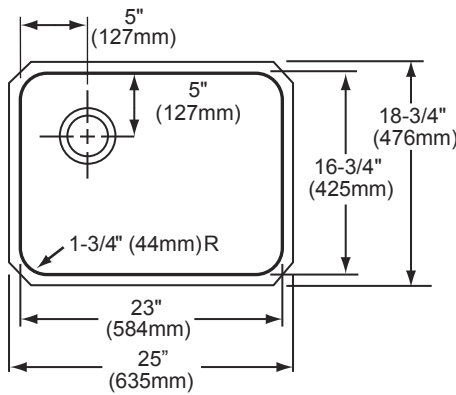
## SINK DIMENSIONS\*

Model Number	Overall		Inside Bowl			Cutout in Countertop	3 1/2" drain opening (see below for details)	Minimum Cabinet Size
	L	W	L	W	D			
ELUH2317	25" (635mm)	18-3/4" (476mm)	23" (584mm)	16-3/4" (425mm)	8" (203mm)	See Template**	Rear Center	27"/30" † (686mm/762mm)
ELUH2317L	25" (635mm)	18-3/4" (476mm)	23" (584mm)	16-3/4" (425mm)	8" (203mm)	See Template**	Rear Left	27"/30" † (686mm/762mm)
ELUH2317R	25" (635mm)	18-3/4" (476mm)	23" (584mm)	16-3/4" (425mm)	8" (203mm)	See Template**	Rear Right	27"/30" † (686mm/762mm)
ELUH231710	25" (635mm)	18-3/4" (476mm)	23" (584mm)	16-3/4" (425mm)	10" (254mm)	See Template**	Rear Center	27"/30" † (686mm/762mm)
ELUH231710L	25" (635mm)	18-3/4" (476mm)	23" (584mm)	16-3/4" (425mm)	10" (254mm)	See Template**	Rear Left	27"/30" † (686mm/762mm)
ELUH231710R	25" (635mm)	18-3/4" (476mm)	23" (584mm)	16-3/4" (425mm)	10" (254mm)	See Template**	Rear Right	27"/30" † (686mm/762mm)
ELUH231712	25" (635mm)	18-3/4" (476mm)	23" (584mm)	16-3/4" (425mm)	12" (305mm)	See Template**	Rear Center	27"/30" † (686mm/762mm)
ELUH231712L	25" (635mm)	18-3/4" (476mm)	23" (584mm)	16-3/4" (425mm)	12" (305mm)	See Template**	Rear Left	27"/30" † (686mm/762mm)
ELUH231712R	25" (635mm)	18-3/4" (476mm)	23" (584mm)	16-3/4" (425mm)	12" (305mm)	See Template**	Rear Right	27"/30" † (686mm/762mm)

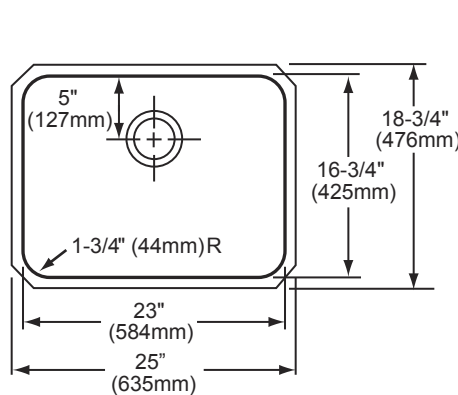
\*Length is left to right. Width is front to back.

\*\*Template 1000001308 is packed with every sink.

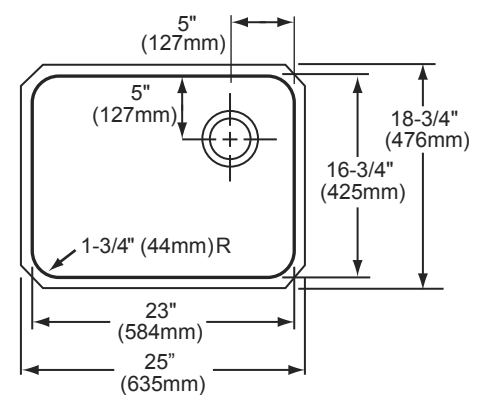
† A 27" cabinet size will require a unique installation as illustrated.



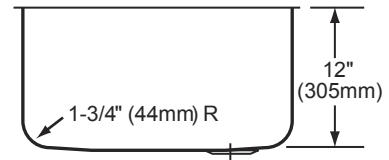
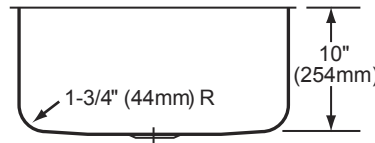
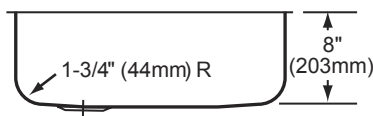
Model ELUH2317L Illustrated



Model ELUH231710 Illustrated



Model ELUH231712R Illustrated



In keeping with our policy of continuing product improvement, Elkay reserves the right to change product specifications without notice. Please visit [elkay.com](http://elkay.com) for the most current version of Elkay product specification sheets.

This specification describes an Elkay product with design, quality, and functional benefits to the user. When making a comparison of other producers' offerings, be certain these features are not overlooked.