

ELKAY[®]

SPECIFICATIONS

Gourmet Undermount Sink with Perfect Drain™ Model ELUH1316PD

IMPORTANT! ELU / ELUH Update

ELUH models have been redesigned to accommodate 1/2" reveal and no reveal installation options. ELU models should be ordered as ELUH.

GENERAL

Highest quality sink formed of #18 (1.2mm) gauge, type 304 (18-8) nickel bearing stainless steel with **Perfect Drain**. Undermount.

DESIGN FEATURES

Bowl Depth: 7-7/8" (200mm), Overall 9-3/8" (238mm)
 Coved Corners: 1-3/4" (44mm) vertical and horizontal radius.
 Finish: Exposed surfaces are hand blended to a Lustrous Highlighted Satin Finish.
 Underside: Underside of sink is fully protected by heavy duty Sound Guard[®] undercoating to reduce condensation and dampen sound.
Perfect Drain: Seamlessly welded stainless steel collar eliminates the gap between a traditional drain and the sink for a sanitary and gap free installation.
 Each sink shipped with one LKPD1 drain kit, or a garbage disposer can be installed on sink bowl for user convenience.

Patent Pending

OTHER

Drain opening: 3-3/8" (86mm)

NOTE: All Elkay undermount sinks are designed to affix to the underside of any solid surface countertop.

Waste Fitting complies with ASME A112.18.2/CAN/CSA-B125.2

Sink complies with ASME A112.19.3/ CSA B45.4



Sinks are listed by IAPMO[®] as meeting the applicable requirements of the Uniform Plumbing Code[®], International Plumbing Code[®], and National Plumbing Code of Canada.

OPTIONAL ACCESSORIES

Bottom Grid: LKWOBG1316SS

Cutting Boards: CB1613, CB1713, CBR1316, (Reveal mount only) CBS1316

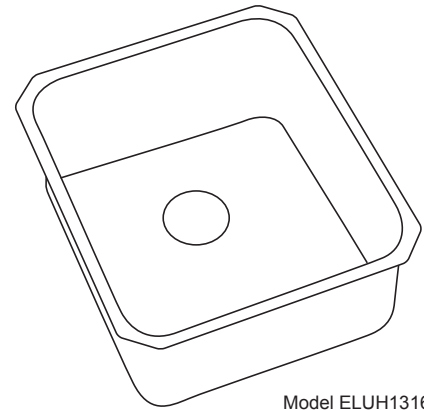
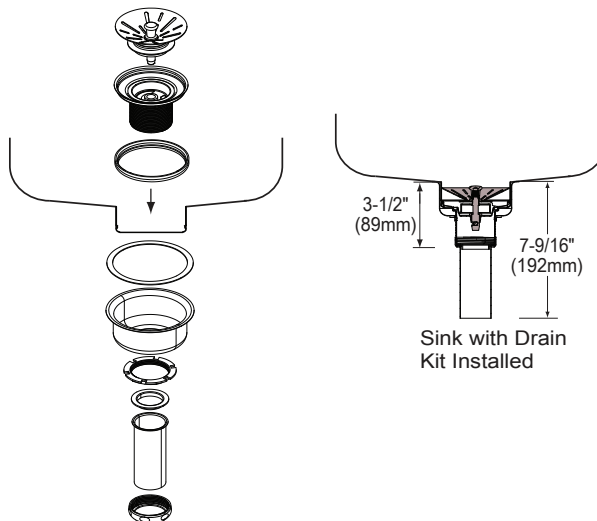
Rinsing Basket: LKWRB1316SS, LKWERBSS

Utensil Caddy for Rinsing Basket: LKWUCSS

Mounting Clip: LKUCLIP8

SINK PACKAGE(S)

MODEL	SINK	BOTTOM GRID	QTY	DRAIN	QTY
ELUH1316PDBG	ELUH1316PD	LKWOBG1316SS	1	LKPD1	1



Model ELUH1316PD



in sink erator[®]

Elkay[®] Perfect Drain™ sinks are designed and approved for compatible disposers manufactured by InSinkErator[®] utilizing the Quick Lock[®] mounting configuration. Use of non-approved disposers may void Elkay warranty.

InSinkErator, Quick Lock and the mounting collar configuration are trademarks of Emerson Electric Co.



In keeping with our policy of continuing product improvement, Elkay reserves the right to change product specifications without notice. Please visit elkay.com for the most current version of Elkay product specification sheets.

This specification describes an Elkay product with design, quality, and functional benefits to the user. When making a comparison of other producers' offerings, be certain these features are not overlooked.

ELKAY[®]

SPECIFICATIONS

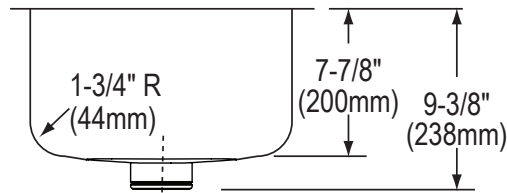
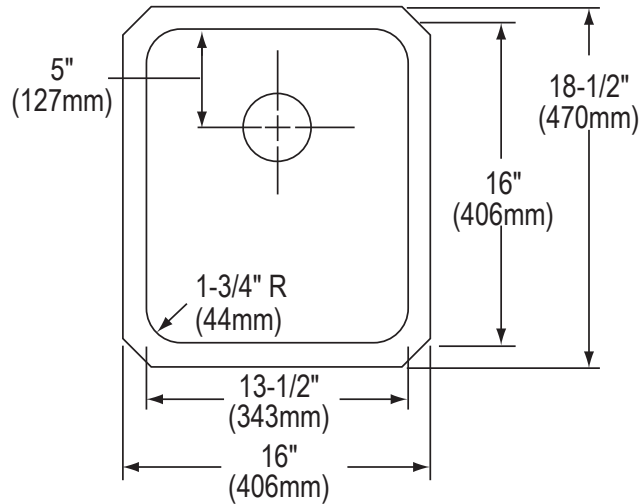
Gourmet Undermount Sink with Perfect Drain™ Model ELUH1316PD

SINK DIMENSIONS*

Model Number	Overall			Inside Bowl			Cutout in Countertop	Minimum Cabinet Size
	L	W	D	L	W	D		
ELUH1316PD	16 (406mm)	18-1/2 (470mm)	9-3/8 (238mm)	13-1/2 (343mm)	16 (406mm)	7-7/8 (200mm)	See Template**	21 (533mm)

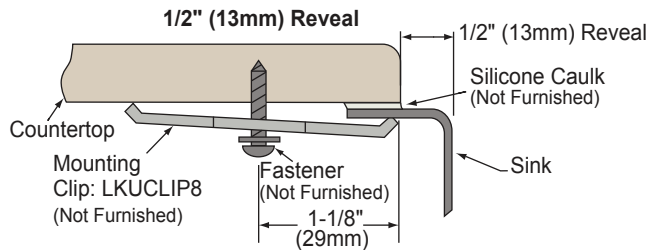
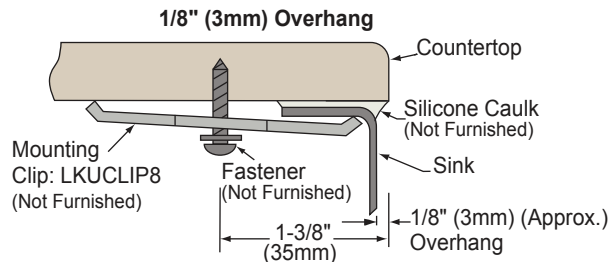
*Length is left to right. Width is front to back.

**Template #1000001399 is packed with every sink.



Model ELUH1316PD Illustrated

Installation Profile



In keeping with our policy of continuing product improvement, Elkay reserves the right to change product specifications without notice. Please visit elkay.com for the most current version of Elkay product specification sheets.

This specification describes an Elkay product with design, quality, and functional benefits to the user. When making a comparison of other producers' offerings, be certain these features are not overlooked.