

ELKAY[®]

SPECIFICATIONS

Gourmet Undermount Sink with Perfect Drain™

Models ELUH3120LPD and ELUH3120RPD

NEW ELUH Installation Options

ELUH models have been redesigned to accommodate 1/2" reveal and no reveal installation options.

GENERAL

Highest quality sink formed of #18 (1.2mm) gauge, type 304 (18-8) nickel bearing stainless steel with **Perfect Drain**. Undermount.

DESIGN FEATURES

Bowl Depth: 7-7/8" (200mm), Overall depth: 9-3/8" (238mm) (Small Bowl)
9 -7/8" (251mm), Overall depth: 11-3/8" (289mm) (Large Bowl)

Coved Corners: 1-3/4" (44mm) vertical and horizontal radius.

Finish: Exposed surfaces are hand blended to a Lustrous Highlighted Satin Finish.

Underside: Fully protected by Sound Guard[®] undercoating to reduce condensation and dampen sound.

Perfect Drain: Seamlessly welded stainless steel collar eliminates the gap between a traditional drain and the sink for a sanitary and gap free installation. Each sink shipped with two LKPD1 drain kits, or a garbage disposer can be installed on either sink bowl for user convenience.

Patent Pending

OTHER

Drain opening: 3-3/8" (86mm)

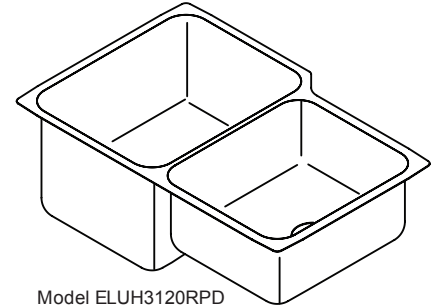
Suffix: L (left) or R (right) denotes location of the small bowl.

NOTE: All Elkay undermount sinks are designed to affix to the underside of any solid surface countertop.

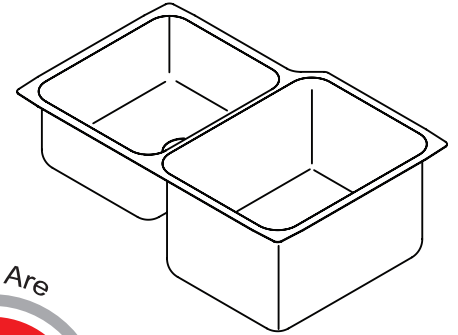
Waste Fitting complies with ASME A112.18.2/CAN/CSA-B125.2

Sink complies with ASME A112.19.3/ CSA B45.4

 Sinks are listed by IAPMO[®] as meeting the applicable requirements of the Uniform Plumbing Code[®], International Plumbing Code[®], and National Plumbing Code of Canada.



Model ELUH3120RPD



Model ELUH3120LPD



SINK PACKAGE(S)

MODEL	SINK	BOTTOM GRID	QTY	DRAIN	QTY
ELUH3120LPDBG	ELUH3120LPD	LKWOBG1418SS	1	LKPD1	2
ELUH3120RPDBG	ELUH3120RPD	LKWOBG1418SS	1	LKPD1	2

OPTIONAL ACCESSORIES

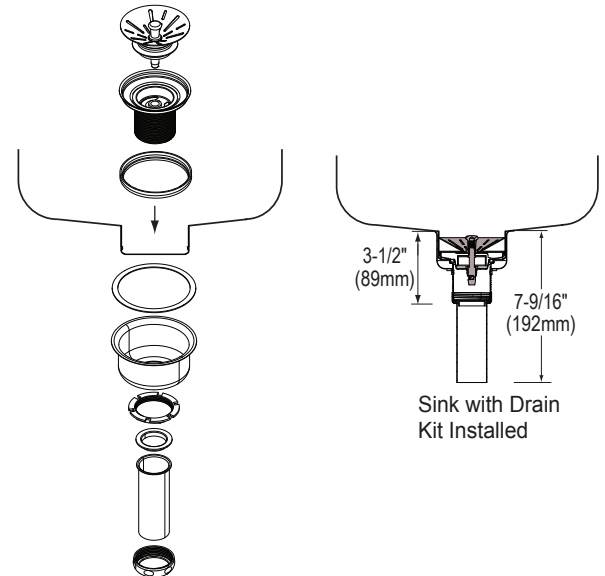
Bottom Grids: LKWOBG1418SS (large bowl), LKWOBG1316SS (small bowl)

Cutting Boards: (All cutting boards for reveal mount only) CBR1418, CBS1418 (large bowl), CB1613, CB1713, CBR1316, CBS1316 (small bowl)

Mounting Clip: LKUCLIP8 (2 packages required)

Rinsing Baskets: LKWRB1418SS (large bowl), LKWRB1316SS (small bowl), LKWERBSS (either bowl)

Utensil Caddy for Rinsing Basket: LKWUCSS



In keeping with our policy of continuing product improvement, Elkay reserves the right to change product specifications without notice. Please visit elkay.com for the most current version of Elkay product specification sheets.

This specification describes an Elkay product with design, quality, and functional benefits to the user. When making a comparison of other producers' offerings, be certain these features are not overlooked.

ELKAY[®]

SPECIFICATIONS

Gourmet Undermount Sink with Perfect Drain[™]

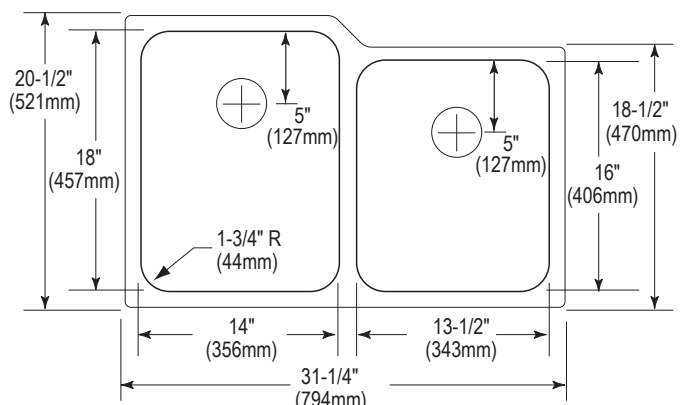
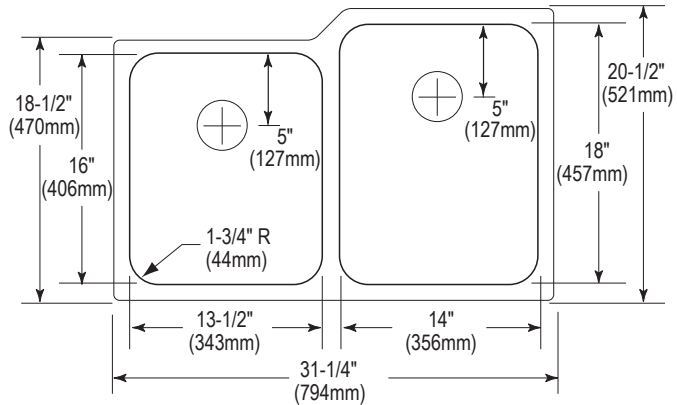
Models ELUH3120LPD and ELUH3120RPD

SINK DIMENSIONS*

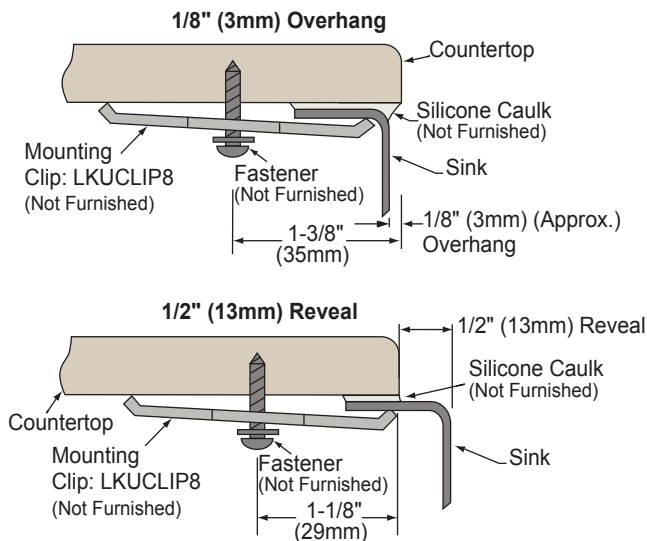
Model Number	Overall				Inside Left Bowl			Inside Right Bowl			Cutout in Countertop	Minimum Cabinet Size
	L	W	D Left	D Right	L	W	D	L	W	D		
ELUH3120LPD	31-1/4 (794mm)	20-1/2 (521mm)	9-3/8 (238mm)	11-3/8 (289mm)	13-1/2 (343mm)	16 (406mm)	7-7/8 (200mm)	14 (356mm)	18 (457mm)	9-7/8 (251mm)	See Template**	36 (914mm)
ELUH3120RPD	31-1/4 (794mm)	20-1/2 (521mm)	11-3/8 (289mm)	9-3/8 (238mm)	14 (356mm)	18 (457mm)	9-7/8 (251mm)	13 1/2 (343mm)	16 (406mm)	7-7/8 (200mm)	See Template**	36 (914mm)

*Length is left to right. Width is front to back.

**Template #1000001388L or # 1000001389R is packed with every sink.



Installation Profile



in sink erator[®]

Elkay[®] Perfect Drain[™] sinks are designed and approved for compatible disposers manufactured by InSinkEerator[®] utilizing the Quick Lock[®] mounting configuration. Use of non-approved disposers may void Elkay warranty.

InSinkEerator, Quick Lock and the mounting collar configuration are trademarks of Emerson Electric Co.



In keeping with our policy of continuing product improvement, Elkay reserves the right to change product specifications without notice. Please visit elkay.com for the most current version of Elkay product specification sheets.

This specification describes an Elkay product with design, quality, and functional benefits to the user. When making a comparison of other producers' offerings, be certain these features are not overlooked.