

ELKAY[®] SPECIFICATIONS

Gourmet Sink with Perfect Drain™ Models DLR Series

GENERAL

Highest quality sink formed of #18 (1.2mm) gauge, type 304 (18-8) nickel bearing stainless steel with **Perfect Drain**. Top mount.

DESIGN FEATURES

Bowl Depth: 10-1/8" (257mm), Overall 11-5/8" (295mm)

Coved Corners: 1-3/4" (44mm) vertical and horizontal radius.

Rim Height: 3/16" (9mm)

Finish: Exposed surfaces are hand polished to a Lustrous Highlighted Satin finish.

Underside: Fully undercoated to dampen sound and reduce condensation. DLR191910PD and DLR252110PD underside is fully protected by heavy duty Sound Guard[®] undercoating.

Perfect Drain: Seamlessly welded stainless steel collar eliminates the gap between a traditional drain and the sink for a sanitary and gap free installation. Each sink shipped with one LKPD1 drain kit, or a garbage disposer can be installed for user convenience.

Patent Pending

OTHER

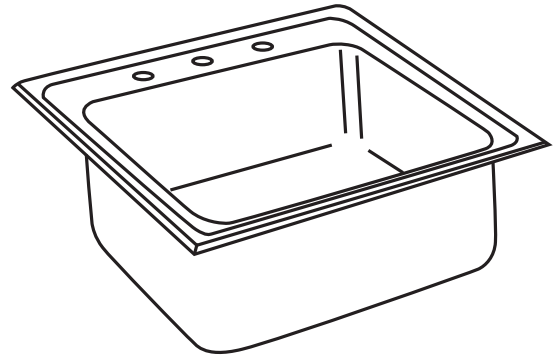
Drain opening: 3-3/8" (86mm)

Waste Fitting complies with ASME A112.18.2/CAN/CSA-B125.2

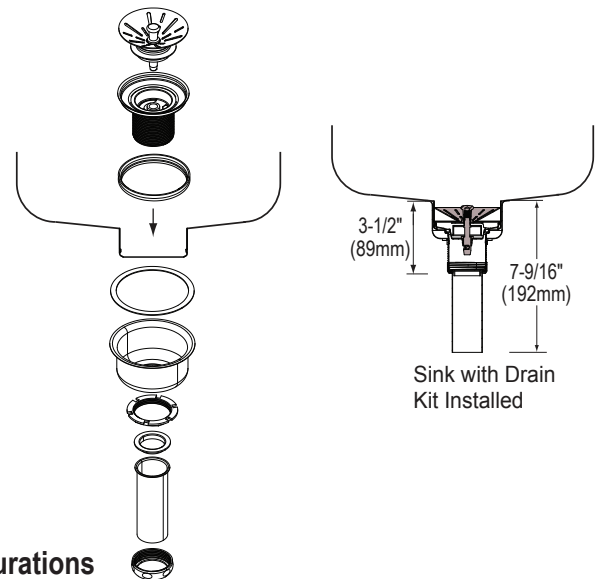
Sink complies with ASME A112.19.3/ CSA B45.4



Sinks are listed by IAPMO[®] as meeting the applicable requirements of the Uniform Plumbing Code[®], International Plumbing Code[®], and National Plumbing Code of Canada.

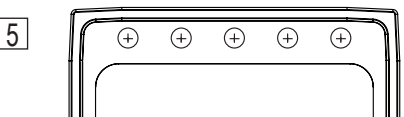
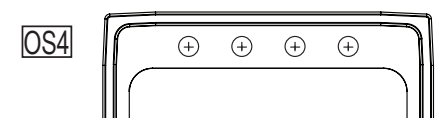
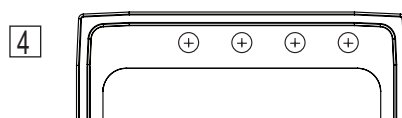
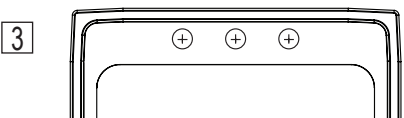
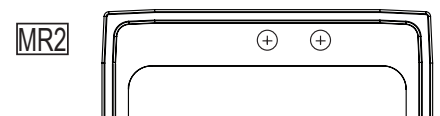
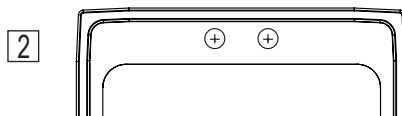
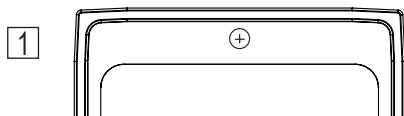


Model DLR2522103PD



Hole Drilling Configurations

1-1/2" (38mm) Diameter Faucet Holes on 4" (102mm) Centers



In keeping with our policy of continuing product improvement, Elkay reserves the right to change product specifications without notice. Please visit elkay.com for the most current version of Elkay product specification sheets.

This specification describes an Elkay product with design, quality, and functional benefits to the user. When making a comparison of others producers offerings, be certain these features are not overlooked.

ELKAY[®]

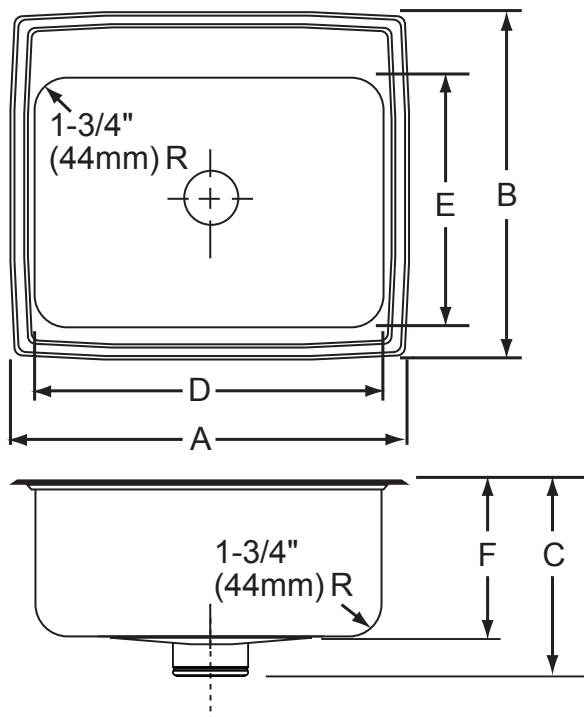
SPECIFICATIONS

Gourmet Sink with Perfect Drain™ Models DLR Series

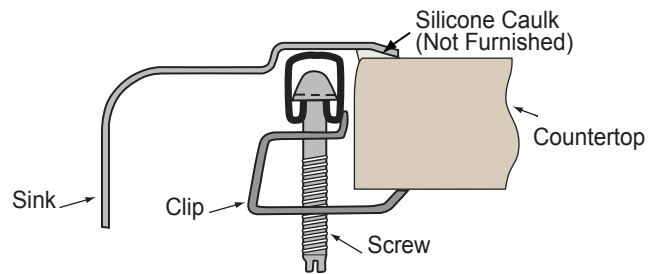
SINK DIMENSIONS*

Model Number	Overall			Inside Bowl			Cutout in Countertop [1 1/2" (38mm) Radius Corners]		No. of 1 1/2" (38mm) Dia. Faucet Holes 4" (102mm) Center	Minimum Cabinet Size
	L	W	D	L	W	D	L	W		
	A	B	C	D	E	F	L	W		
DLR172210PD	17 (432mm)	22 (559mm)	11-5/8 (295mm)	13 1/2 (343mm)	16 (406mm)	10-1/8 (257mm)	16-3/8 (416mm)	21-3/8 (543mm)	1, 2, MR2, 3, OS4	21 (533mm)
DLR191910PD	19 1/2 (495mm)	19 (483mm)	11-5/8 (295mm)	16 (406mm)	13 1/2 (343mm)	10-1/8 (257mm)	18-7/8 (479mm)	18-3/8 (467mm)	1, 2, MR2, 3, OS4	24 (610mm)
DLR221910PD	22 (559mm)	19-1/2 (495mm)	11-5/8 (295mm)	18 (457mm)	14 (356mm)	10-1/8 (257mm)	21-3/8 (543mm)	18-7/8 (479mm)	1, 2, MR2, 3, 4, 5	27 (686mm)
DLR252110PD	25 (635mm)	21-1/4 (540mm)	11-5/8 (295mm)	21 (533mm)	15 3/4 (400mm)	10-1/8 (257mm)	24-3/8 (619mm)	20-5/8 (524mm)	1, 2, MR2, 3, 4, 5	30 (762mm)
DLR252210PD	25 (635mm)	22 (559mm)	11-5/8 (295mm)	21 (533mm)	15 3/4 (400mm)	10-1/8 (257mm)	24-3/8 (619mm)	21-3/8 (543mm)	1, 2, MR2, 3, 4, 5	30 (762mm)
DLR312210PD	31 (787mm)	22 (559mm)	11-5/8 (295mm)	28 (711mm)	16 (406mm)	10-1/8 (257mm)	30-3/8 (772mm)	21-3/8 (543mm)	1, 2, MR2, 3, 4, 5	36 (914mm)
DLRS332210PD	33 (838mm)	22 (559mm)	11-5/8 (295mm)	28 (711mm)	16 (406mm)	10-1/8 (257mm)	32-3/8 (822mm)	21-3/8 (543mm)	1, 2, MR2, 3, 4, 5	36 (914mm)

*Length is left to right. Width is front to back.



Installation Profile



in sink erator[®]

Elkay[®] Perfect Drain™ sinks are designed and approved for compatible disposers manufactured by InSinkEerator[®] utilizing the Quick Lock[®] mounting configuration. Use of non-approved disposers may void Elkay warranty.

InSinkEerator, Quick Lock and the mounting collar configuration are trademarks of Emerson Electric Co.



In keeping with our policy of continuing product improvement, Elkay reserves the right to change product specifications without notice. Please visit elkay.com for the most current version of Elkay product specification sheets.

This specification describes an Elkay product with design, quality, and functional benefits to the user. When making a comparison of others producers offerings, be certain these features are not overlooked.