

ELKAY[®]

SPECIFICATIONS

Gourmet Undermount Sink with Perfect Drain™ Model ELUHAD Series - A.D.A. Compliant

NEW ELUH Installation Options

ELUH models have been redesigned to accommodate 1/2" reveal and no reveal installation options.

GENERAL

Highest quality sink formed of #18 (1.2mm) gauge, type 304 (18-8) nickel bearing stainless steel with **Perfect Drain**. Undermount.

DESIGN FEATURES

Bowl Depths: See chart on next page.

Coved Corners: 1-3/4" (44mm) vertical and horizontal radius.

Finish: Exposed surfaces are hand blended to a Lustrous Highlighted Satin finish.

Underside: Fully protected by Sound Guard[®] undercoating to reduce condensation and dampen sound.

Perfect Drain: Seamlessly welded stainless steel collar eliminates the gap between a traditional drain and the sink for a sanitary and gap free installation.

Each sink shipped with two LKPD1 drain kits, or a garbage disposer can be installed on either sink bowl for user convenience.

Patent Pending

OTHER

Drain opening: 3-3/8" (86mm)

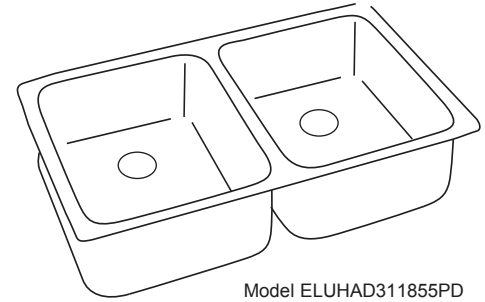
NOTE: All Elkay undermount sinks are designed to affix to the underside of any solid surface countertop.

Waste Fitting complies with ASME A112.18.2/CAN/CSA-B125.2

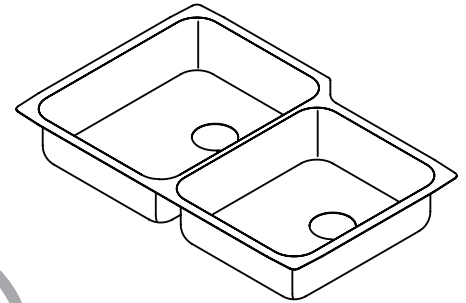
Sink complies with ASME A112.19.3/ CSA B45.4



Sinks are listed by IAPMO[®] as meeting the applicable requirements of the Uniform Plumbing Code[®], International Plumbing Code[®], and National Plumbing Code of Canada.



Model ELUHAD311855PD



Model ELUHAD312045RPD

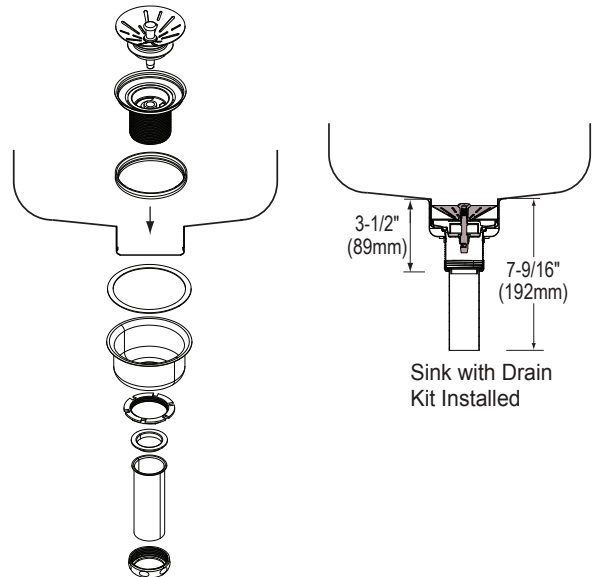


THIS PRODUCT, AS CONSTRUCTED IS SUBJECT TO INTERPRETATION OF A.D.A. REQUIREMENTS. THE UNOBSTRUCTED KNEE SPACE REQUIRED TO SATISFY A.D.A. STANDARDS MAY NOT BE DESIRABLE.

in sink erator[®]

Elkay[®] Perfect Drain™ sinks are designed and approved for compatible disposers manufactured by InSinkErator[®] utilizing the Quick Lock[®] mounting configuration. Use of non-approved disposers may void Elkay warranty.

InSinkErator, Quick Lock and the mounting collar configuration are trademarks of Emerson Electric Co.



In keeping with our policy of continuing product improvement, Elkay reserves the right to change product specifications without notice. Please visit elkay.com for the most current version of Elkay product specification sheets.

This specification describes an Elkay product with design, quality, and functional benefits to the user. When making a comparison of other producers' offerings, be certain these features are not overlooked.

ELKAY[®]

SPECIFICATIONS

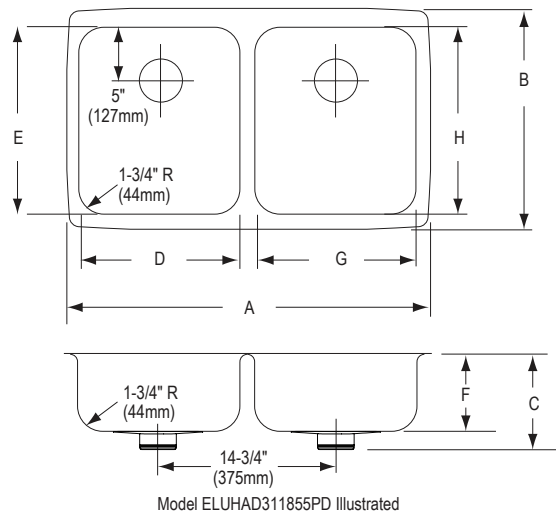
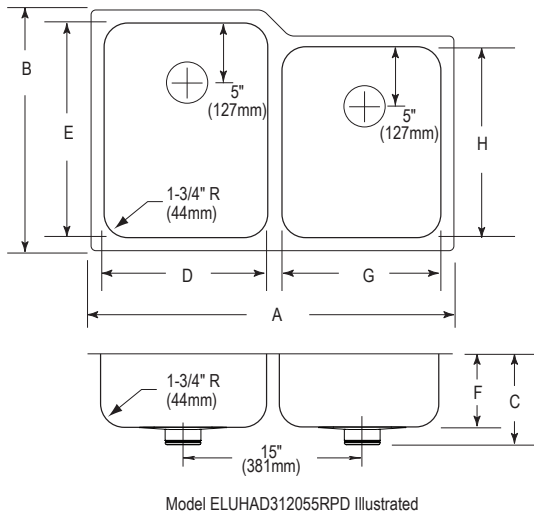
Gourmet Undermount Sink with Perfect Drain™ Model ELUHAD Series - A.D.A. Compliant

SINK DIMENSIONS*

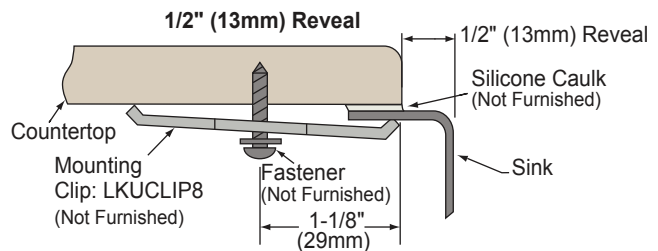
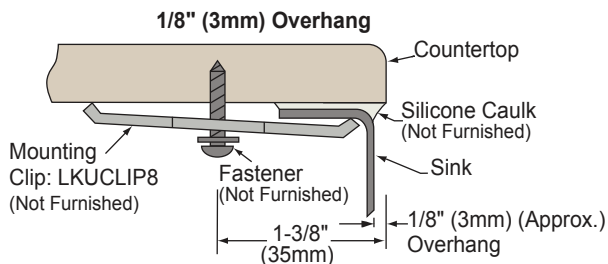
Model Number	Overall			Inside Left Bowl			Inside Right Bowl			Cutout in Countertop	Minimum Cabinet Size
	L	W	D	L	W	D	L	W	D		
	A	B	C	D	E	F	G	H	F		
ELUHAD311845PD	30-3/4 (781mm)	18-1/2 (470mm)	5-7/8 (149mm)	13-1/2 (343mm)	16 (406mm)	4-3/8 (111mm)	13-1/2 (343mm)	16 (406mm)	4-3/8 (111mm)	See Template**	36 (914mm)
ELUHAD311850PD	30-3/4 (781mm)	18-1/2 (470mm)	6-3/8 (162mm)	13-1/2 (343mm)	16 (406mm)	4-7/8 (124mm)	13-1/2 (343mm)	16 (406mm)	4-7/8 (124mm)		36 (914mm)
ELUHAD311855PD	30-3/4 (781mm)	18-1/2 (470mm)	6-7/8 (175mm)	13-1/2 (343mm)	16 (406mm)	5-3/8 (137mm)	13-1/2 (343mm)	16 (406mm)	5-3/8 (137mm)		36 (914mm)
ELUHAD312045RPD	31-1/4 (794mm)	20-1/2 (521mm)	5-7/8 (149mm)	14 (356mm)	18 (457mm)	4-3/8 (111mm)	13-1/2 (343mm)	16 (406mm)	4-3/8 (111mm)		36 (914mm)
ELUHAD312050RPD	31-1/4 (794mm)	20-1/2 (521mm)	6-3/8 (162mm)	14 (356mm)	18 (457mm)	4-7/8 (124mm)	13-1/2 (343mm)	16 (406mm)	4-7/8 (124mm)		36 (914mm)
ELUHAD312055RPD	31-1/4 (794mm)	20-1/2 (521mm)	6-7/8 (175mm)	14 (356mm)	18 (457mm)	5-3/8 (137mm)	13-1/2 (343mm)	16 (406mm)	5-3/8 (137mm)		36 (914mm)

*Length is left to right. Width is front to back.

**Template #1000001312(ELUHAD3118) or #1000001388(ELUHAD3120R) is packed with every sink.



Installation Profile



In keeping with our policy of continuing product improvement, Elkay reserves the right to change product specifications without notice. Please visit elkay.com for the most current version of Elkay product specification sheets.

This specification describes an Elkay product with design, quality, and functional benefits to the user. When making a comparison of other producers' offerings, be certain these features are not overlooked.