

ELKAY[®]

SPECIFICATIONS

Gourmet Undermount Sink with Work Shelf and Perfect Drain™

Models ELUHWS3118PD and ELUHWS311810PD

NEW ELUH Installation Options

ELUH models have been redesigned to accommodate 1/2" reveal and no reveal installation options.

GENERAL

Highest quality sink formed of #18 (1.2mm) gauge, type 304 (18-8) nickel bearing stainless steel with **Perfect Drain**.
2 LKWS1316SS Work Shelves included. Undermount.

DESIGN FEATURES

Bowl Depths: See chart on next page.

Coved Corners: 1-3/4" (44mm) vertical and horizontal radius.

Finish: Exposed surfaces are hand blended to a Lustrous

Highlighted Satin finish.

Underside: Fully protected by Sound Guard[®] undercoating to reduce condensation and dampen sound.

Smart Support System: Located 4-1/2" (114mm) from the top of the sink to allow use of the LKWS1316SS Work Shelf.

Perfect Drain: Seamlessly welded stainless steel collar eliminates the gap between a traditional drain and the sink for a sanitary and gap free installation.

Each sink shipped with two LKPD1 drain kits, or a garbage disposer can be installed on either sink bowl for user convenience.

Patent Pending

OTHER

Drain opening: 3-3/8" (86mm)

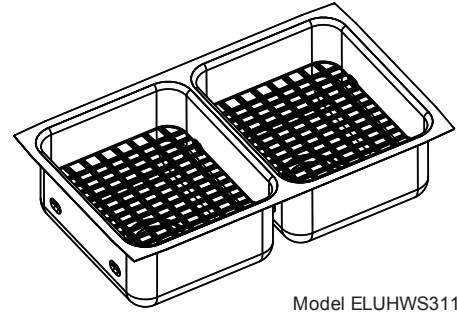
NOTE: All Elkay undermount sinks are designed to affix to the underside of any solid surface countertop.

Waste Fitting complies with ASME A112.18.2/CAN/CSA-B125.2

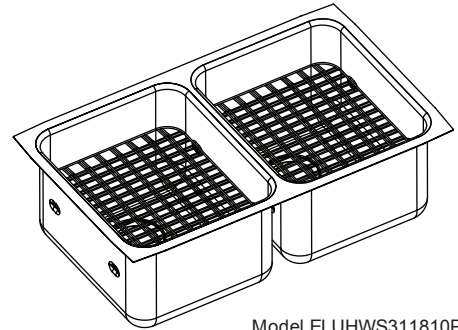
Sink complies with ASME A112.19.3/ CSA B45.4



Sinks are listed by IAPMO[®] as meeting the applicable requirements of the Uniform Plumbing Code[®], International Plumbing Code[®], and National Plumbing Code of Canada.



Model ELUHWS3118PD



Model ELUHWS311810PD

ACCESSORIES*

Model Number	Description	Bowl	Overall			Material/Finish
			L	W	Depth/Thickness	
LKWS1316SS	Work Shelf	Both	13 ⁵ / ₁₆ " (338mm)	15 ¹ / ₄ " (400mm)	1/4" (6mm)	Polished Stainless Steel

*Length is left to right. Width is front to back.

OPTIONAL ACCESSORIES

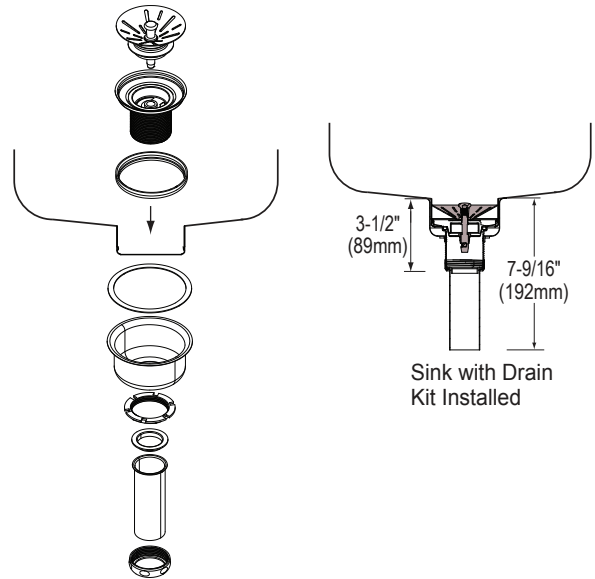
Bottom Grid: LKWOBG1316SS

Cutting Boards: (All cutting boards for reveal mount only) CB1613, CB1713, CBR1316, CBS1316

Mounting Clip: LKUCLIP8 (2 packages required)

Rinsing Baskets: LKWRB1316SS, LKWERBSS

Utensil Caddy for Rinsing Basket: LKWUCSS



In keeping with our policy of continuing product improvement, Elkay reserves the right to change product specifications without notice. Please visit elkay.com for the most current version of Elkay product specification sheets.

This specification describes an Elkay product with design, quality, and functional benefits to the user. When making a comparison of other producers' offerings, be certain these features are not overlooked.

ELKAY[®]

SPECIFICATIONS

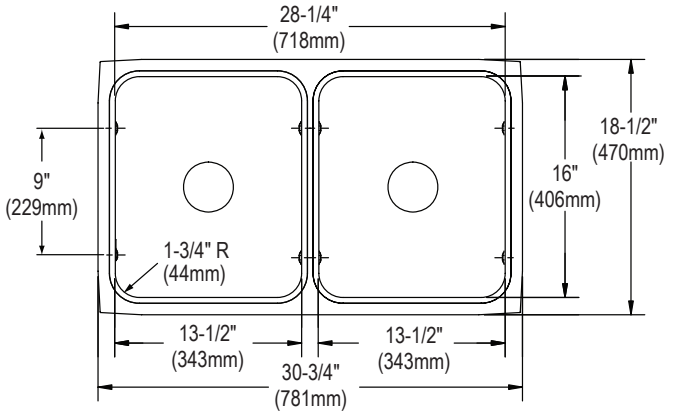
Gourmet Undermount Sink with Work Shelf and Perfect Drain™ Models ELUHWS3118PD and ELUHWS311810PD

SINK DIMENSIONS*

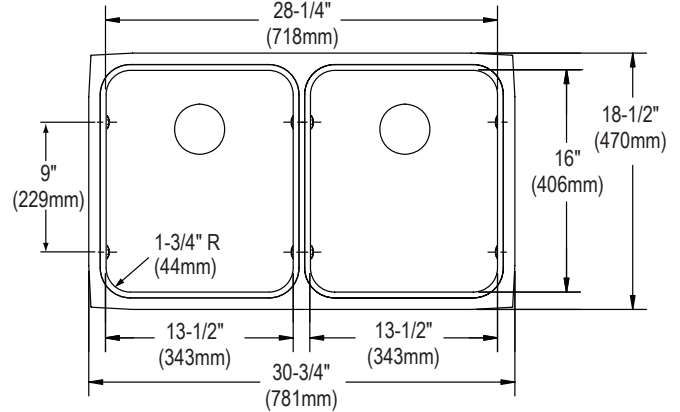
Model Number	Overall			Inside Each Bowl			Cutout in Countertop	Minimum Cabinet Size
	L	W	D	L	W	D		
ELUHWS3118PD	30-3/4 (781mm)	18-1/2 (470mm)	9-3/8 (238mm)	13-1/2 (343mm)	16 (406mm)	7-7/8 (200mm)	See Template**	36 (914mm)
ELUHWS311810PD	30-3/4 (781mm)	18-1/2 (470mm)	11-1/2 (292mm)	13-1/2 (343mm)	16 (406mm)	10 (254mm)	See Template**	36 (914mm)

*Length is left to right. Width is front to back.

**Template #1000001312 is packed with every sink.

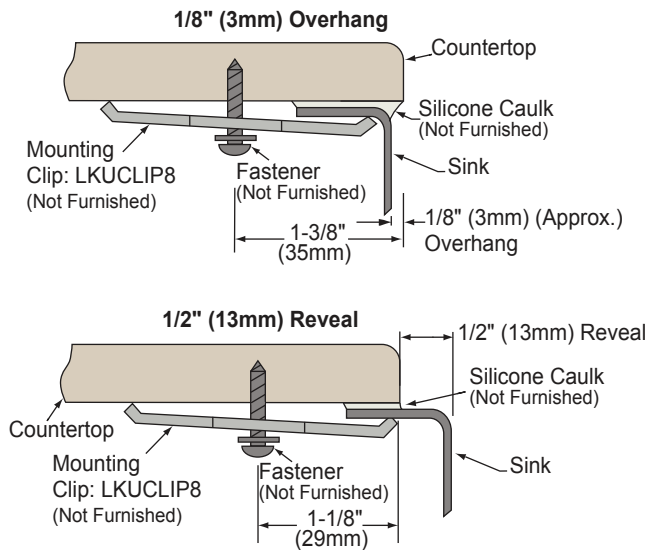


Model ELUHWS3118PD



Model ELUHWS311810

Installation Profile



in sink erator[®]

Elkay[®] Perfect Drain™ sinks are designed and approved for compatible disposers manufactured by InSinkEerator[®] utilizing the Quick Lock[®] mounting configuration. Use of non-approved disposers may void Elkay warranty.

InSinkEerator, Quick Lock and the mounting collar configuration are trademarks of Emerson Electric Co.



In keeping with our policy of continuing product improvement, Elkay reserves the right to change product specifications without notice. Please visit elkay.com for the most current version of Elkay product specification sheets.

This specification describes an Elkay product with design, quality, and functional benefits to the user. When making a comparison of other producers' offerings, be certain these features are not overlooked.