

# ELKAY<sup>®</sup>

## SPECIFICATIONS

### Harmony™ Undermount Sink with Perfect Drain™ Model ELUH32229PD

#### NEW ELUH Installation Options

ELUH models have been redesigned to accommodate 1/2" reveal and no reveal installation options.

#### GENERAL

Highest quality sink formed of #18 (1.2mm) gauge, type 304 (18-8) nickel bearing stainless steel with **Perfect Drain**. Undermount.

#### DESIGN FEATURES

Bowl Depth: 9" (229mm), Overall Depth: 10-1/2" (267mm)

Coved Corners: 1-3/4" (44mm) horizontal radius and 2" (51mm) vertical and 3-1/4" (83mm) radii.

Finish: Exposed surfaces are hand blended to a Lustrous Highlighted Satin finish.

Underside: Underside of sink is fully protected by heavy duty Sound Guard<sup>®</sup> undercoating to reduce condensation and dampen sound.

**Perfect Drain:** Seamlessly welded stainless steel collar eliminates the gap between a traditional drain and the sink for a sanitary and gap free installation. Each sink shipped with two LKPD1 drain kits, or a garbage disposer can be installed on either sink bowl for user convenience.

#### Patent Pending

#### OTHER

Drain opening: 3-3/8" (86mm)

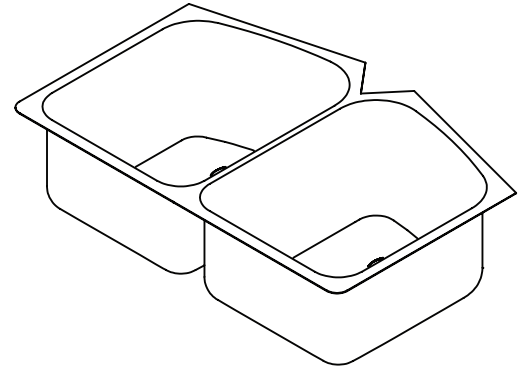
NOTE: All Elkay undermount sinks are designed to affix to the underside of any solid surface countertop.

Waste Fitting complies with ASME A112.18.2/CAN/CSA-B125.2

Sink complies with ASME A112.19.3/ CSA B45.4



Sinks are listed by IAPMO<sup>®</sup> as meeting the applicable requirements of the Uniform Plumbing Code<sup>®</sup>, International Plumbing Code<sup>®</sup>, and National Plumbing Code of Canada.



Model ELUH32229PD



#### OPTIONAL ACCESSORIES

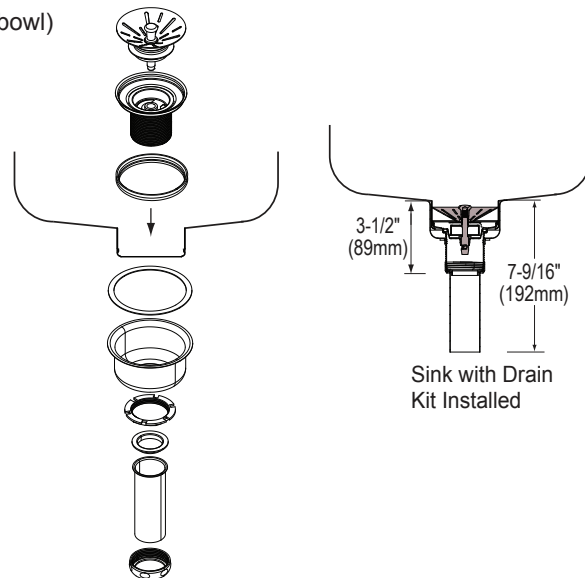
Bottom Grid: LKWOBG1520LSS (left bowl), LKWOBG1520RSS (right bowl)

Cutting Board: (Reveal mount only) LKCB1520LUHW (large bowl)

Mounting Clip: LKUCLIP8

Rinsing Basket: LKWERBSS

Utensil Caddy for Rinsing Basket: LKWUCSS



In keeping with our policy of continuing product improvement, Elkay reserves the right to change product specifications without notice. Please visit [elkay.com](http://elkay.com) for the most current version of Elkay product specification sheets.

This specification describes an Elkay product with design, quality, and functional benefits to the user. When making a comparison of other producers' offerings, be certain these features are not overlooked.

# ELKAY<sup>®</sup>

## SPECIFICATIONS

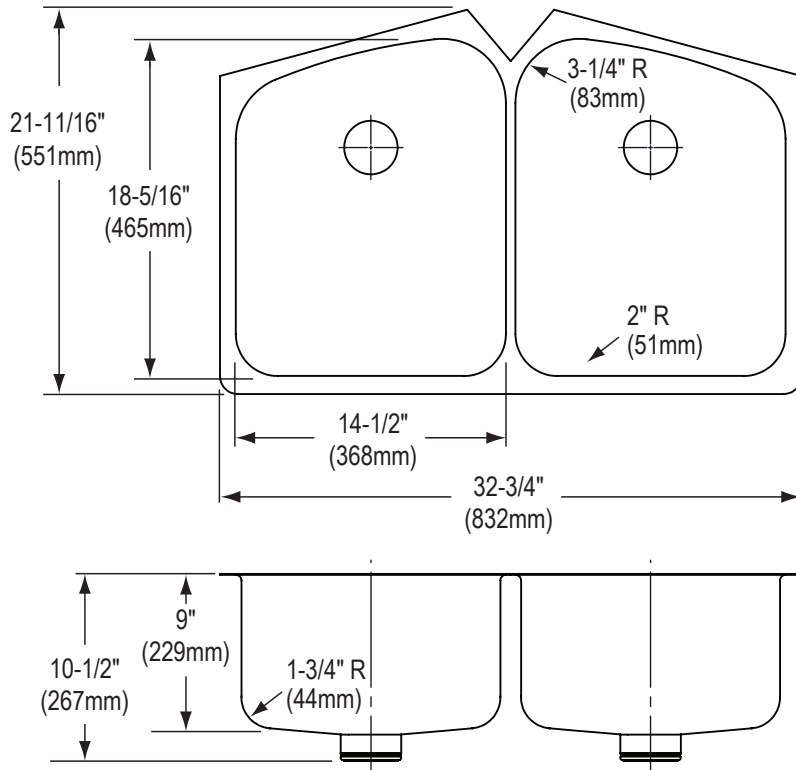
### Harmony™ Undermount Sink with Perfect Drain™ Model ELUH32229PD

#### SINK DIMENSIONS\*

Model Number	Overall			Inside Left Bowl			Inside Right Bowl			Cutout in Countertop	Minimum Cabinet Size
	L	W	D	L	W	D	L	W	D		
ELUH32229PD	32-3/4 (832mm)	21-11/16 (551mm)	10-1/2 (267mm)	14-1/2 (368mm)	18-5/16 (465mm)	9 (229mm)	14-1/2 (368mm)	18-5/16 (465mm)	9 (229mm)	See Template**	36 (914mm)

\*Length is left to right. Width is front to back.

\*\*Template #1000001526 is packed with every sink.



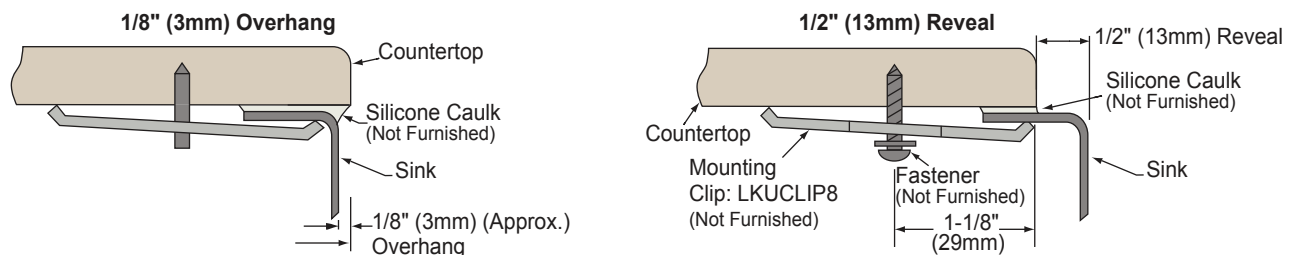
in sink erator<sup>®</sup>

Elkay<sup>®</sup> Perfect Drain™ sinks are designed and approved for compatible disposers manufactured by InSinkEerator<sup>®</sup> utilizing the Quick Lock<sup>®</sup> mounting configuration. Use of non-approved disposers may void Elkay warranty.

InSinkEerator, Quick Lock and the mounting collar configuration are trademarks of Emerson Electric Co.



#### Installation Profile



In keeping with our policy of continuing product improvement, Elkay reserves the right to change product specifications without notice. Please visit [elkay.com](http://elkay.com) for the most current version of Elkay product specification sheets.

This specification describes an Elkay product with design, quality, and functional benefits to the user. When making a comparison of other producers' offerings, be certain these features are not overlooked.